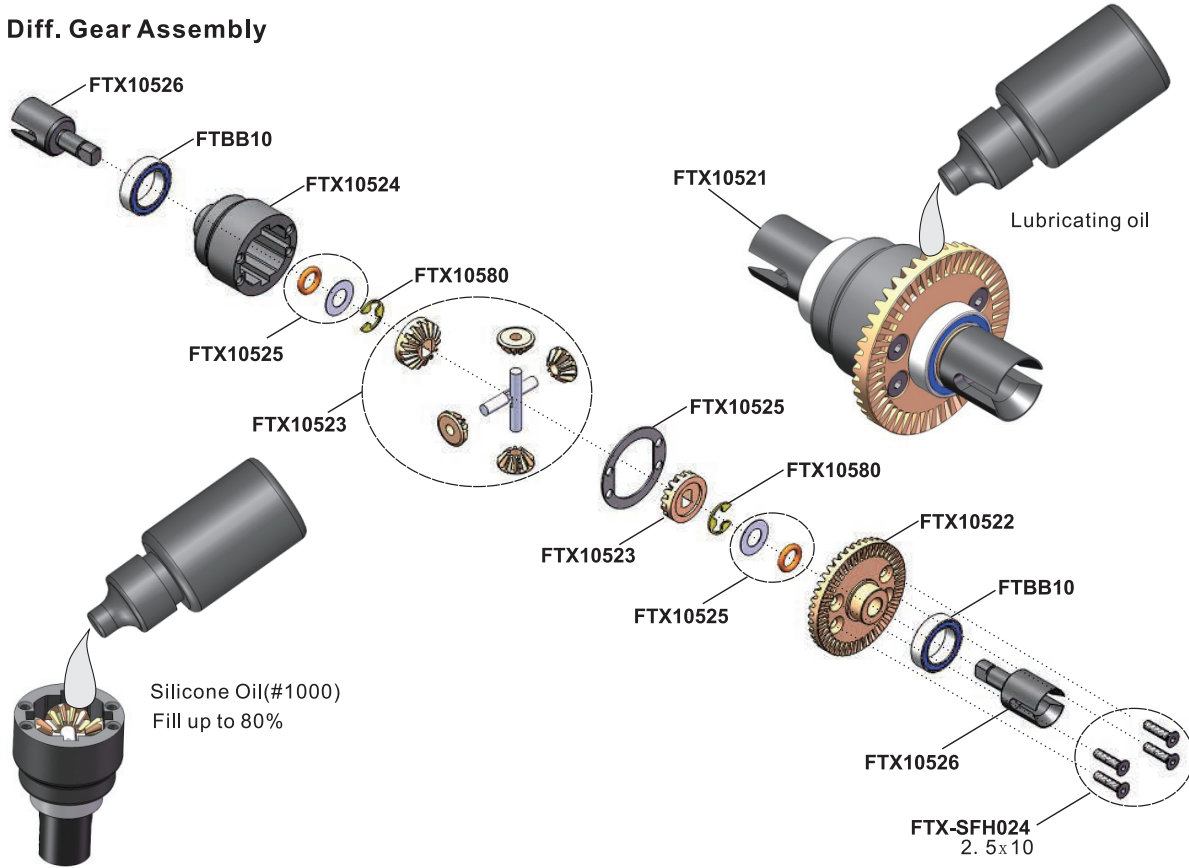




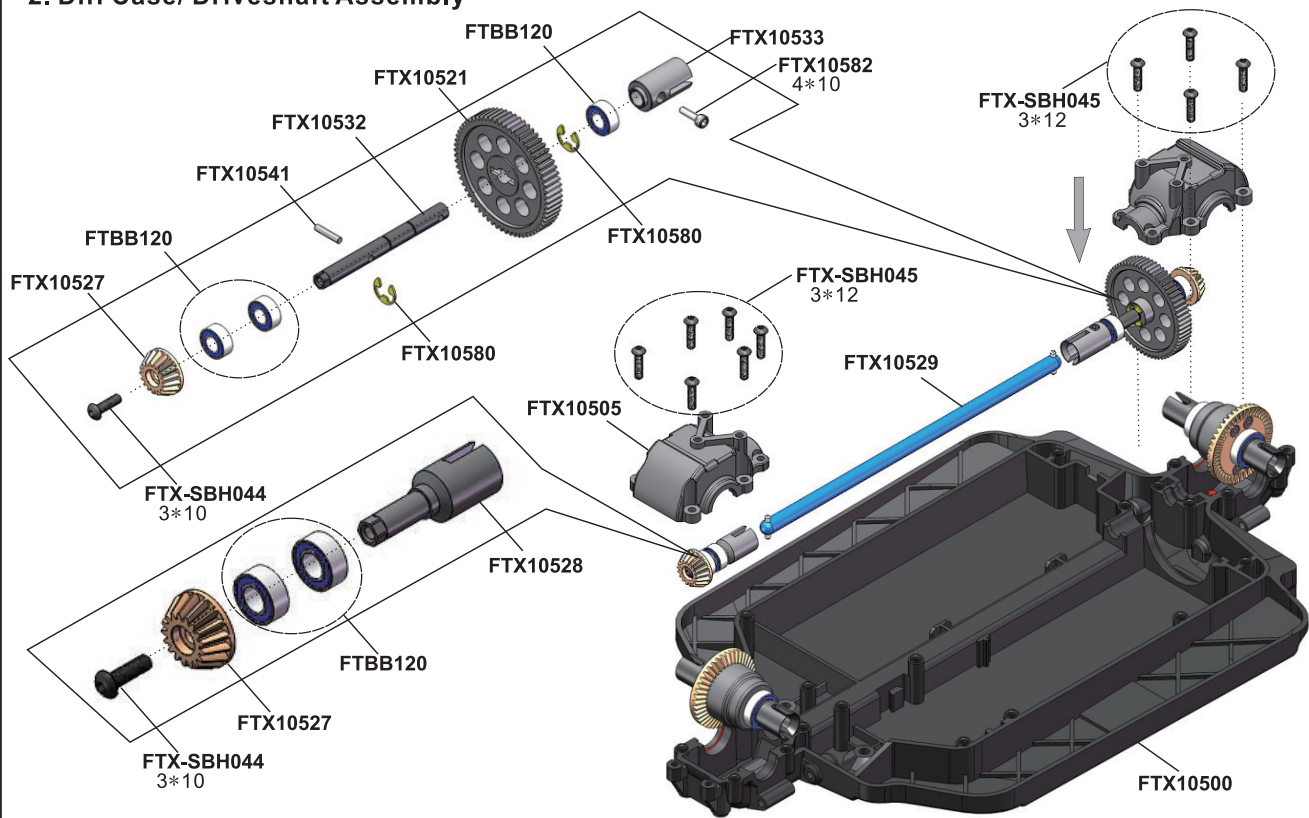
EXPLODED PARTS DIAGRAMS

Assembly Steps

1. Diff. Gear Assembly

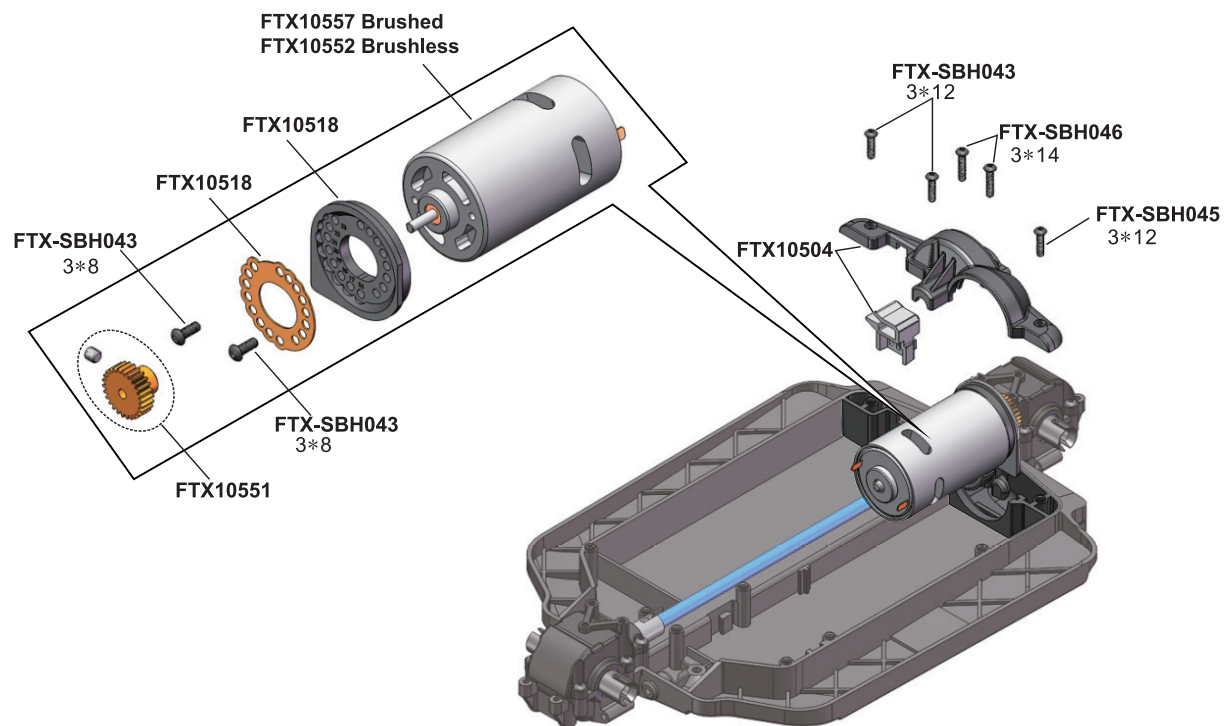


2. Diff Case/ Driveshaft Assembly

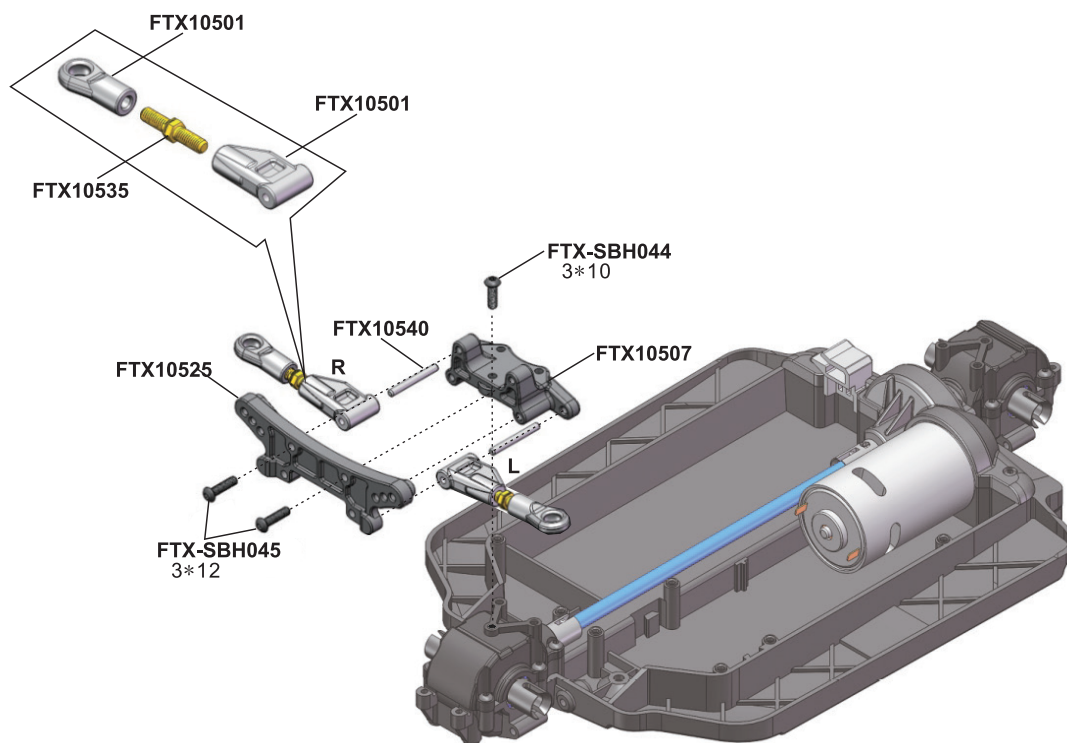




3. Motor Assembly

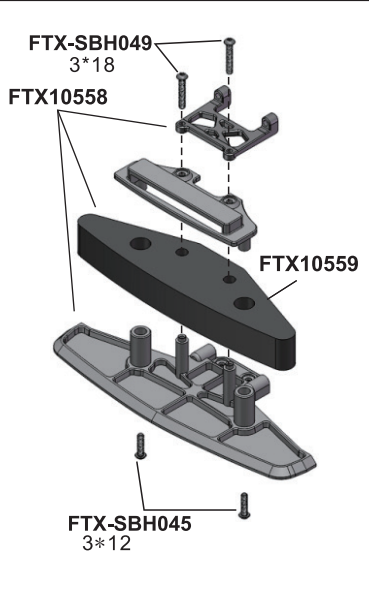
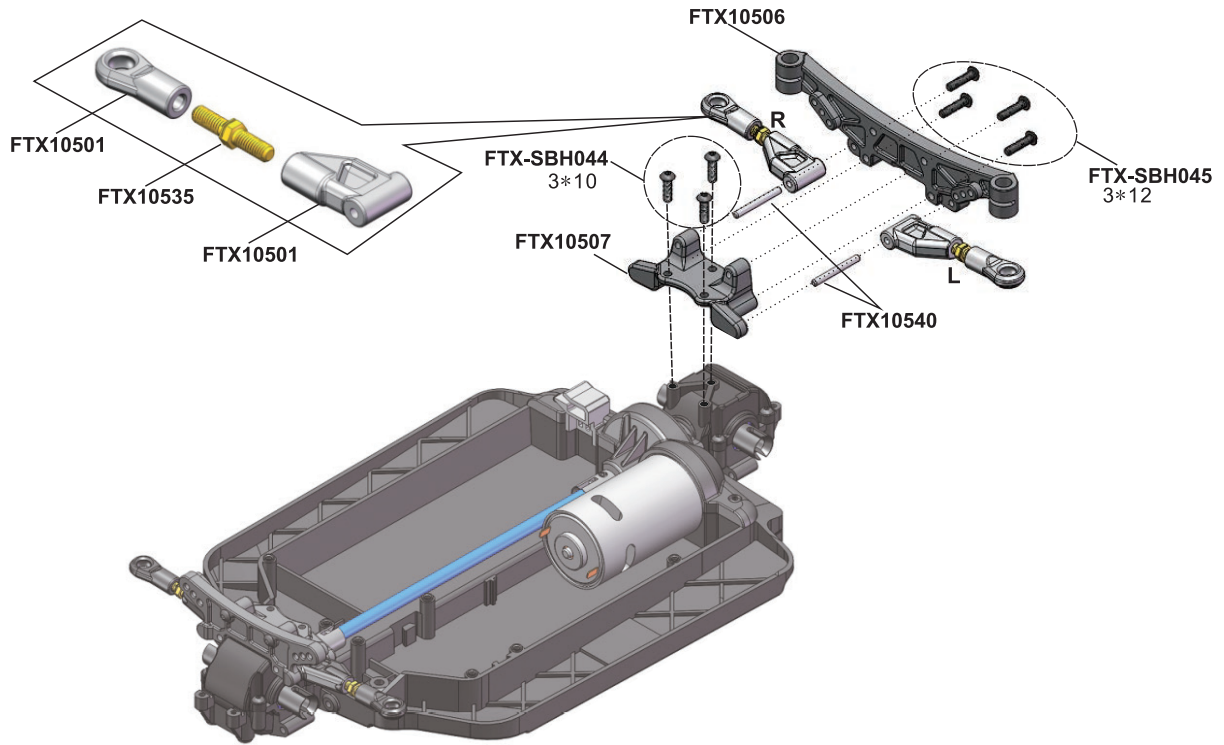


4. Front Shock Tower Assembly

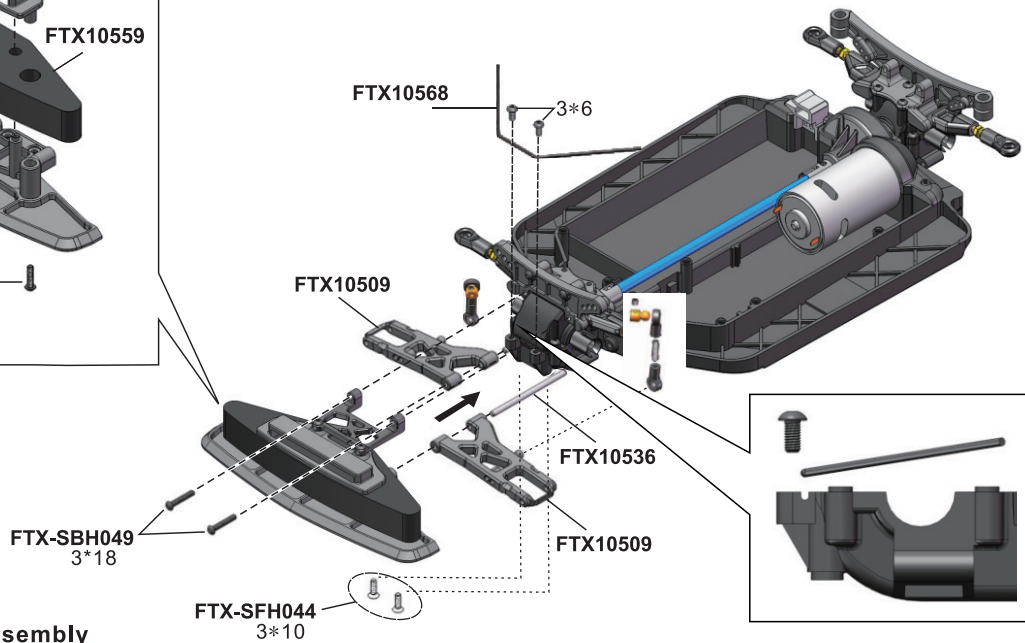




5. Rear Shock Tower Assembly

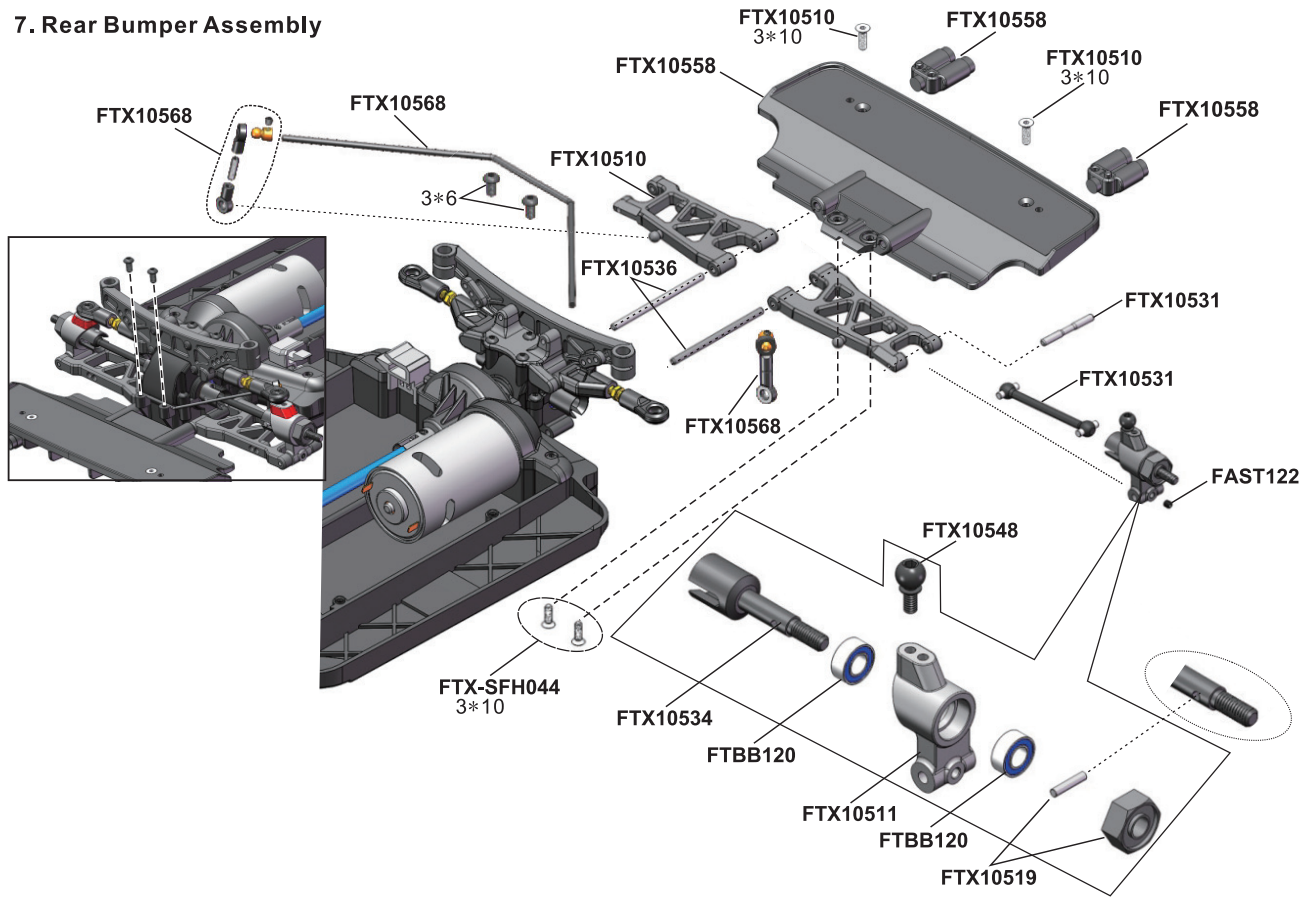


6. Front Bumper Assembly

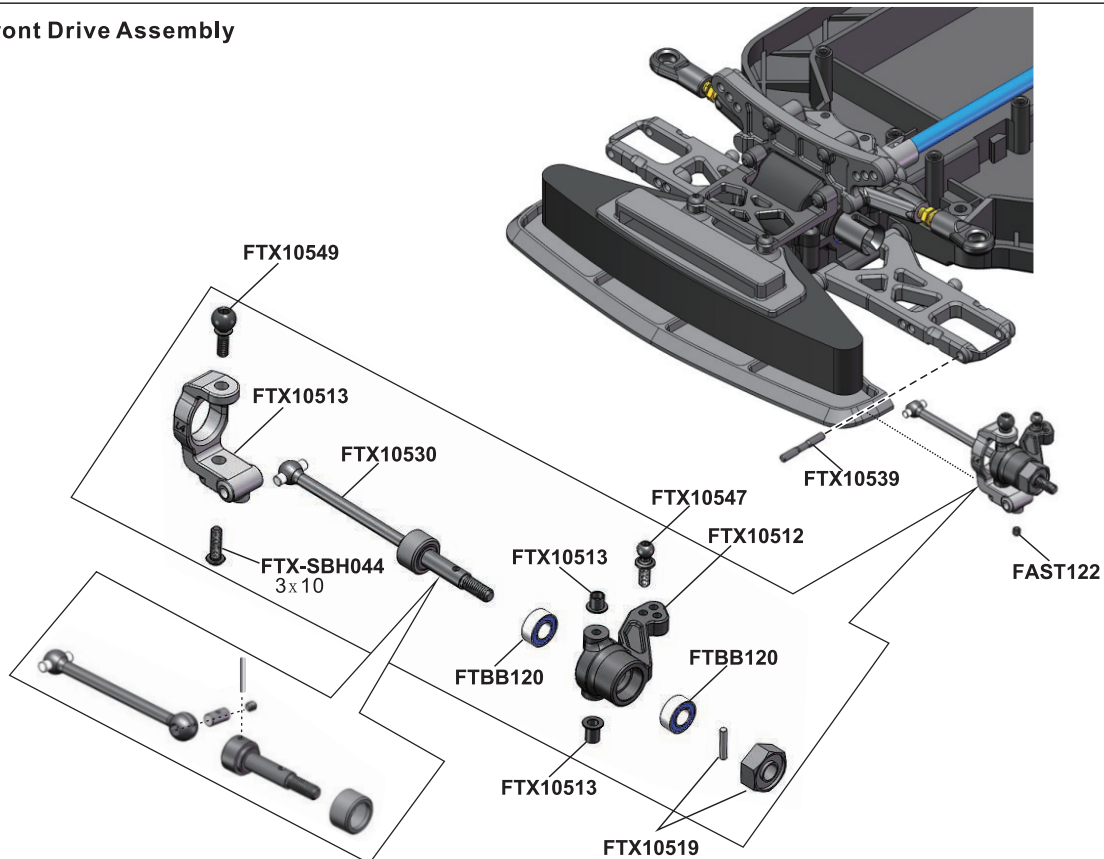




7. Rear Bumper Assembly

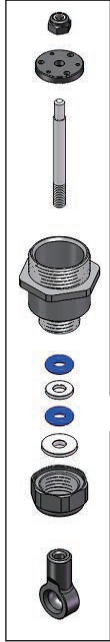


8. Front Drive Assembly

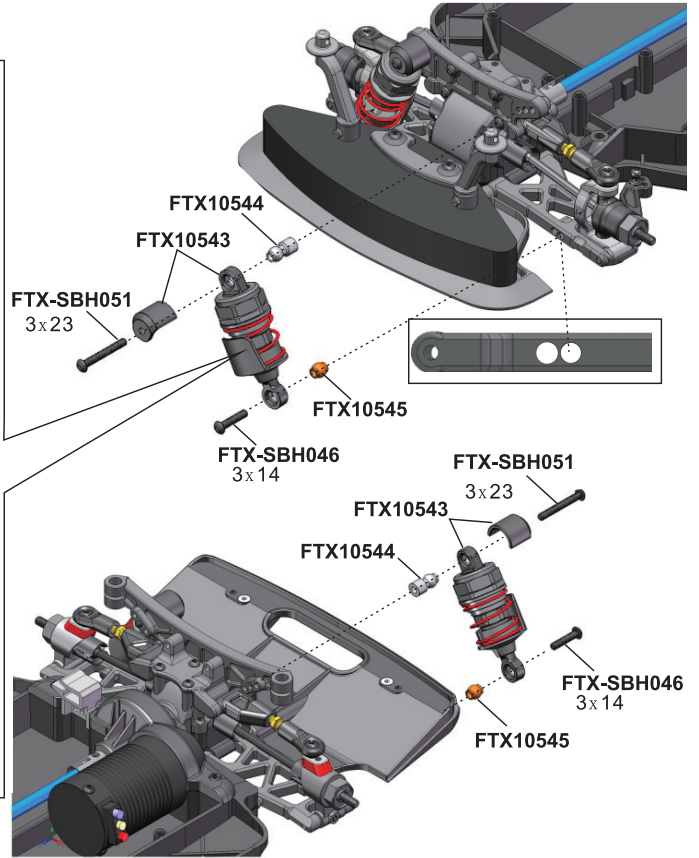
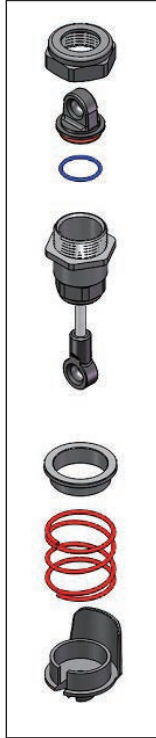




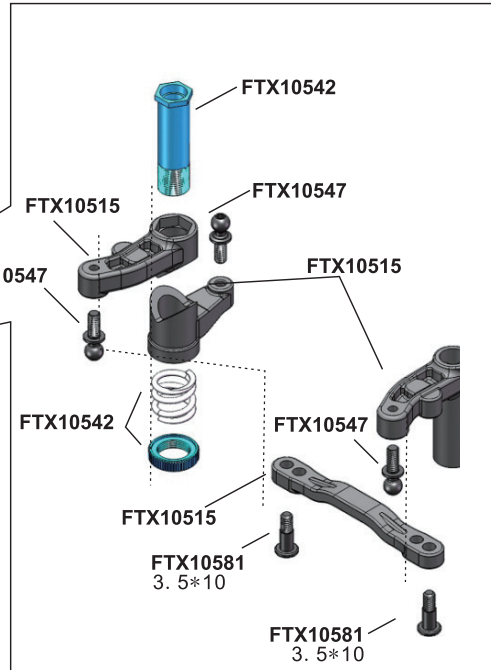
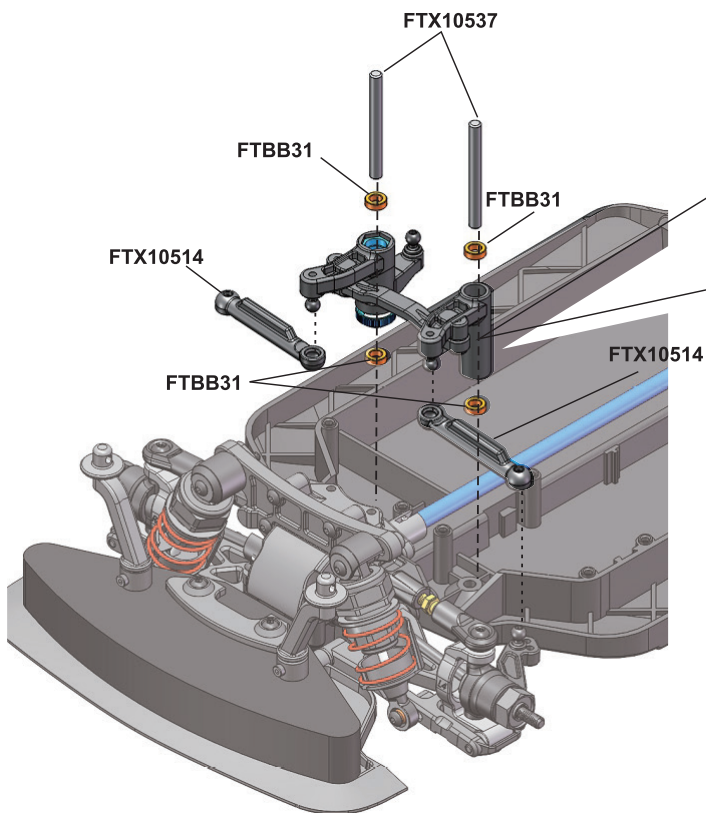
9. Shock Assembly



Silicone Oil(#800)
Fill up to 80%

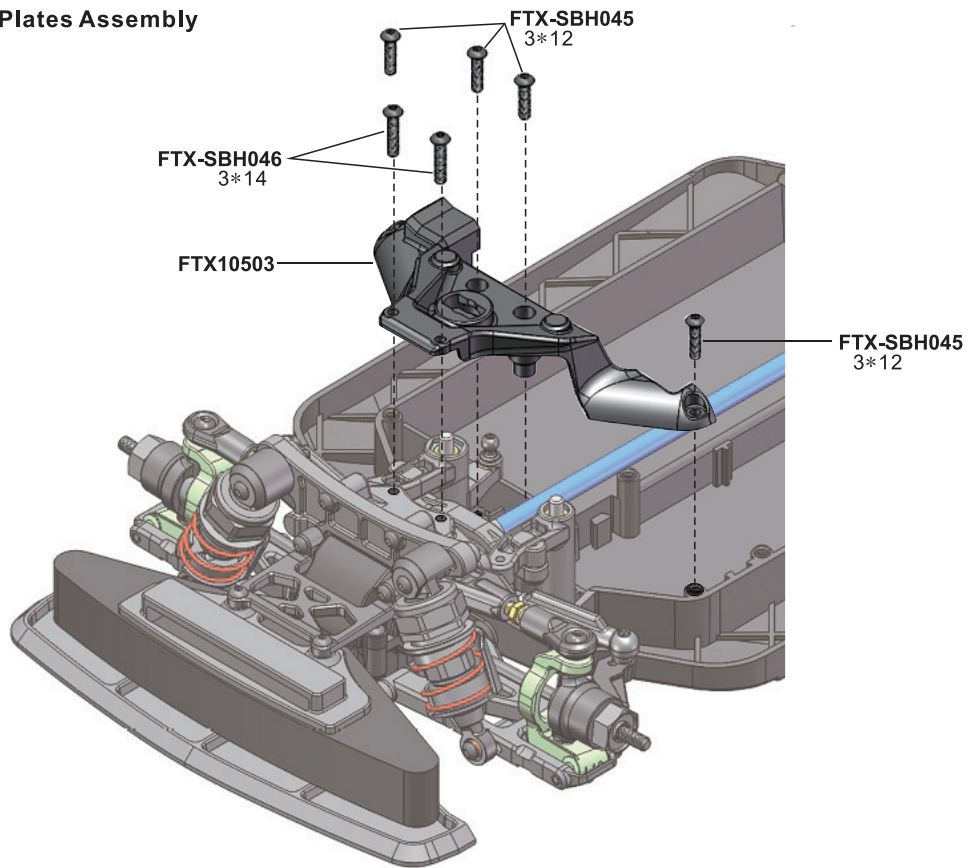


10. Steering Assembly

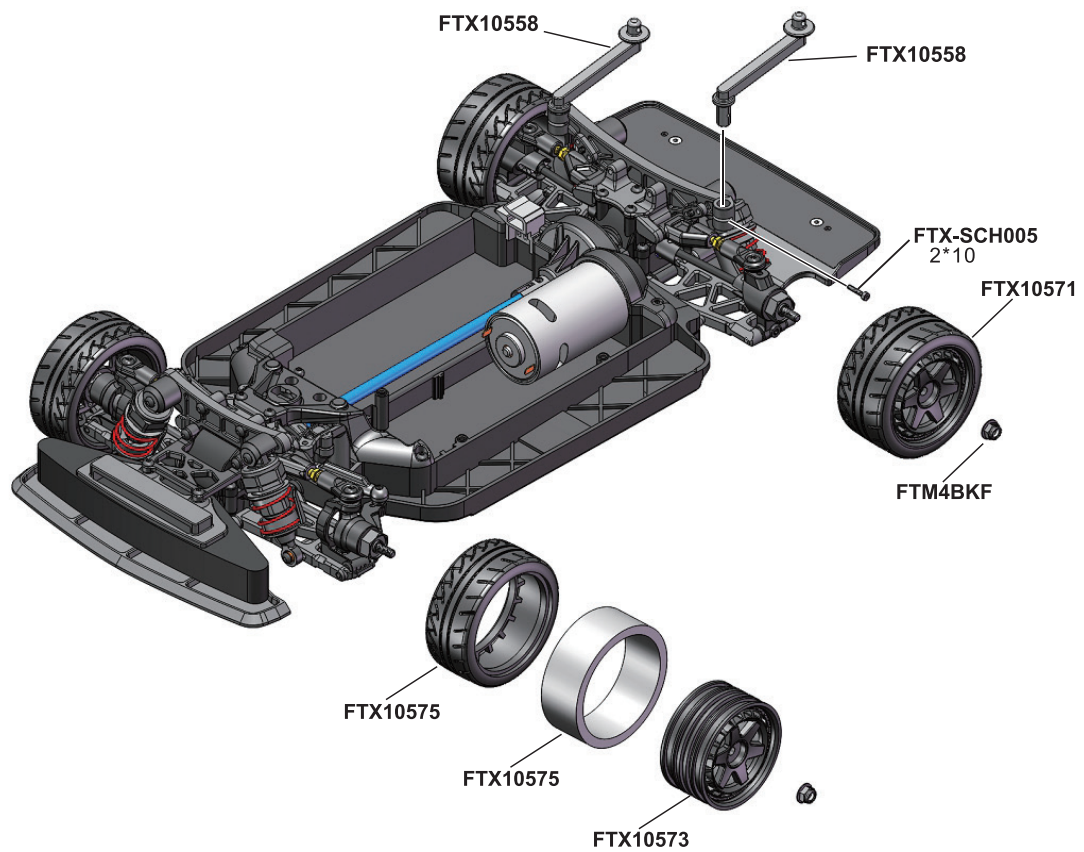




11. Front Support Plates Assembly

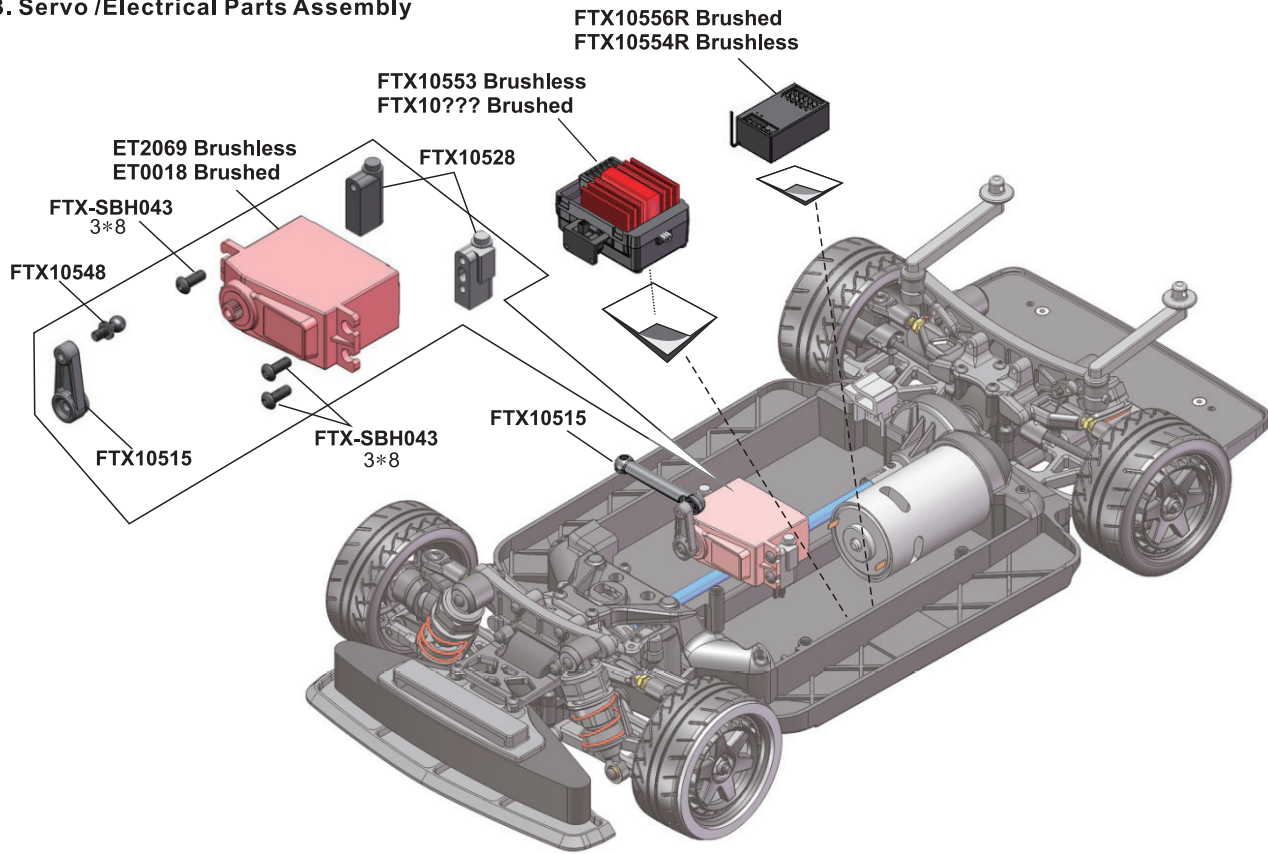


12. Wheels Assembly

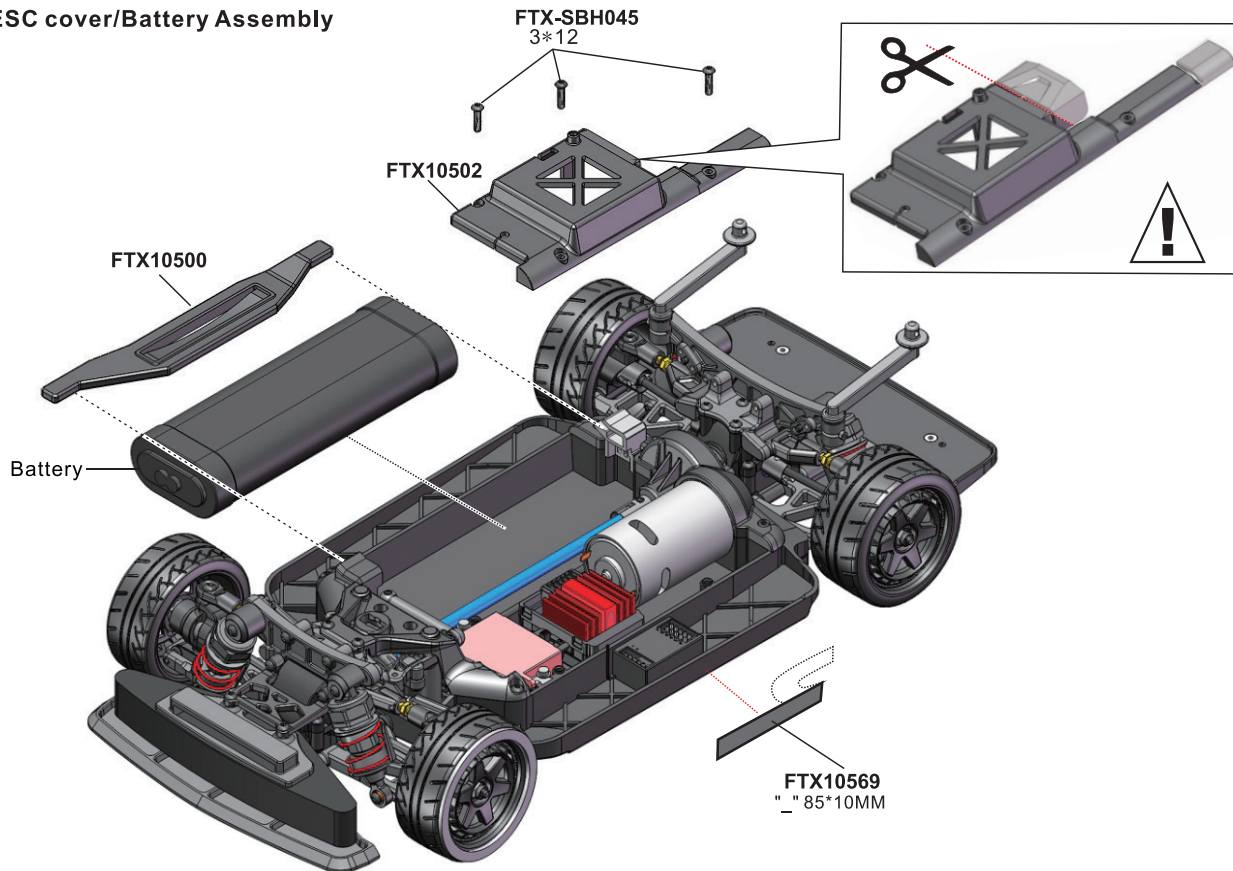




13. Servo /Electrical Parts Assembly

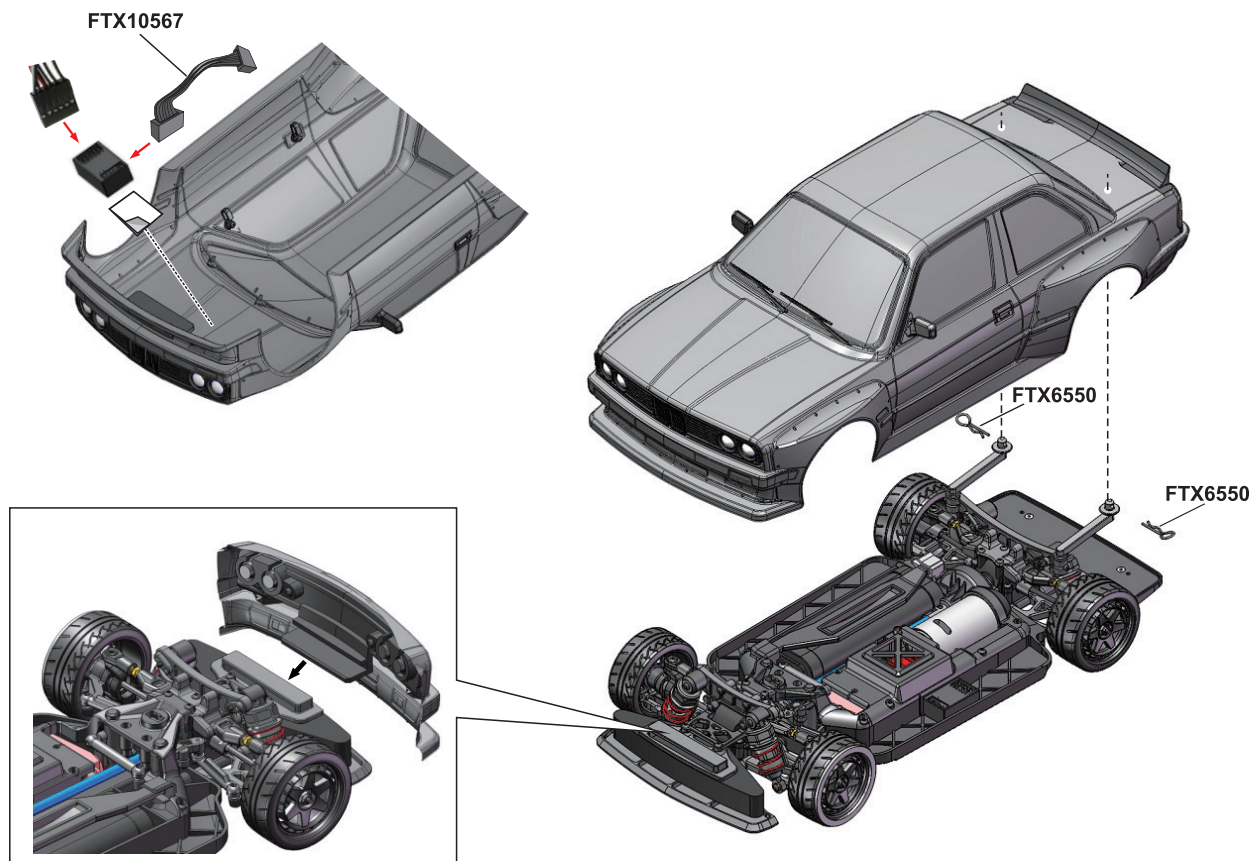
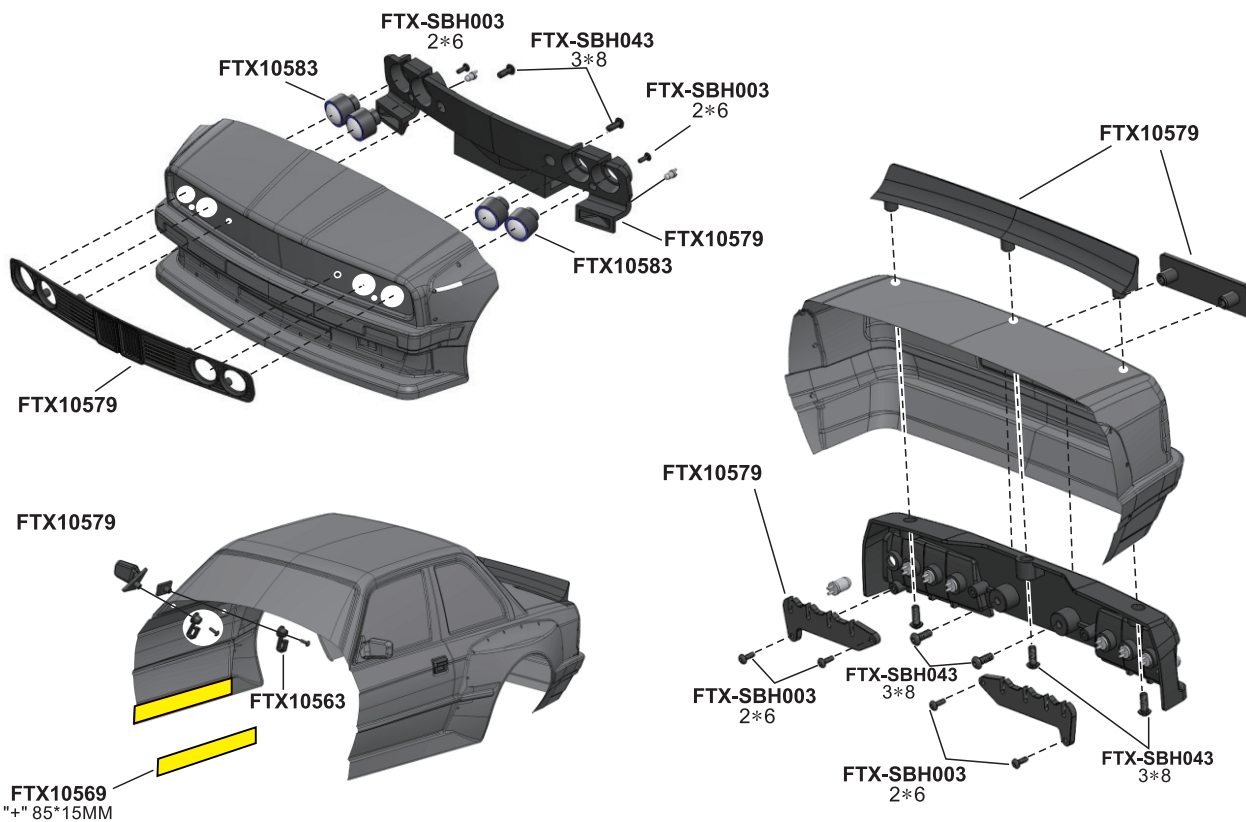


14. ESC cover/Battery Assembly





15. Body Assembly.









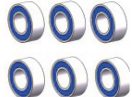

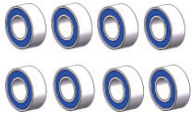



















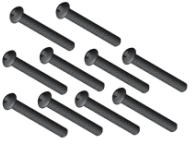








PARTS LISTING

<p>FTX10500</p>  <p>Chassis / Battery brace</p>	<p>FTX10501</p>  <p>Upper Sway Arm(F/R)</p>	<p>FTX10502</p>  <p>ESC Cover</p>	<p>FTX10503</p>  <p>Front Holder</p>	<p>FTX10504</p>  <p>Gear Cover</p>
<p>FTX10505</p>  <p>Gearbox Housing</p>	<p>FTX10506</p>  <p>Shock Tower</p>	<p>FTX10507</p>  <p>Shock Mount</p>	<p>FTX10509</p>  <p>Front Lower Sway Bar</p>	<p>FTX10510</p>  <p>Rear Lower Sway Bar</p>
<p>FTX10511</p>  <p>Rear Hub Carrier</p>	<p>FTX10512</p>  <p>Steering knuckle arms</p>	<p>FTX10513</p>  <p>Caster Block (R/L)</p>	<p>FTX10514</p>  <p>Steering Links Set</p>	<p>FTX10515</p>  <p>Steering Mount Set / Steering horn</p>
<p>FTX10558</p>  <p>Servo Mount</p>	<p>FTX10559</p>  <p>Motor Mount</p>	<p>FTX10517</p>  <p>Wheel Hex w/Pins</p>	<p>FTX10518</p>  <p>Wheel Hex w/Pins</p>	<p>FTX10519</p>  <p>Wheel Hex w/Pins</p>
<p>FTX10520</p>  <p>Complete differential</p>	<p>FTX10521</p>  <p>Main Spur gear (58T)</p>	<p>FTX10522</p>  <p>Diff Crown Gear (42T)</p>	<p>FTX10523</p>  <p>Diff Bevel Gear Set</p>	<p>FTX10524</p>  <p>Diff. Case</p>
<p>FTX10525</p>  <p>Diff Gasket & O Ring</p>	<p>FTX10526</p>  <p>Diff Output Cups</p>	<p>FTX10527</p>  <p>Drive Gear (17T)</p>	<p>FTX10528</p>  <p>Drive Output cups</p>	<p>FTX10529</p>  <p>Central Driveshaft</p>
<p>FTX10530</p>  <p>Front CVD Drive shaft</p>	<p>FTX10531</p>  <p>Rear shaft</p>	<p>FTX10532</p>  <p>Driveshaft</p>	<p>FTX10533</p>  <p>Centre Drive Output Cups</p>	<p>FTX10534</p>  <p>Wheel axle</p>
<p>FTX10535</p>  <p>Upper Link Turnbuckles (F/R)</p>	<p>FTX10536</p>  <p>Pin-3*54</p>	<p>FTX10537</p>  <p>Pin-4*40</p>	<p>FTX10538</p>  <p>Pin-3*28</p>	<p>FTX10539</p>  <p>Pin-3*23</p>



<p>FTX10538</p>  <p>Pin-3*28</p>	<p>FTX10539</p>  <p>Pin-3*23</p>	<p>FTX10540</p>  <p>Pin-2.5*22</p>	<p>FTX10541</p>  <p>Pin-2*10</p>	<p>FTX10542</p>  <p>Steering Saver Tube & Spring Set (metal)</p>
<p>FTX10543</p>  <p>Shock Absorber</p>	<p>FTX10544</p>  <p>Shock Pivot Ball (upper)</p>	<p>FTX10545</p>  <p>Shock Pivot Ball (lower)</p>	<p>FTBB31</p>  <p>Ball Bearing φ4*φ7*2.5</p>	<p>FTBB10</p>  <p>Ball Bearing φ10*φ15*4</p>
<p>FTBB120</p>  <p>Ball Bearing φ5*φ10*4</p>	<p>FTX10546</p>  <p>Ball Head Screw φ4.8*5</p>	<p>FTX10547</p>  <p>Ball Head Screw φ4.8*7</p>	<p>FTX10548</p>  <p>Ball Head Screw φ6.8*6</p>	<p>FTX10549</p>  <p>Ball Head Screw φ6.8*8</p>
<p>FTX10570</p>  <p>Front Wheel Complete</p>	<p>FTX10571</p>  <p>Rear Wheel Complete</p>	<p>FTX10572</p>  <p>Drift Wheel Complete</p>	<p>FTX10573</p>  <p>Front Wheel Rim</p>	<p>FTX10574</p>  <p>Rear Wheel Rim</p>
<p>FTX10575</p>  <p>Front Tire W / Foam</p>	<p>FTX10576</p>  <p>Rear Tire W / Foam</p>	<p>FTX10550</p>  <p>Bumper Foam</p>	<p>FTM4BKF</p>  <p>Flange Nut M4</p>	<p>FTX10580</p>  <p>E-Clips φ4.0mm</p>
<p>FAST122</p>  <p>Grub Hex Screw 3*3</p>	<p>FTX-SBH043</p>  <p>Button Head 3*8</p>	<p>FTX-SBH044</p>  <p>Button Head 3*10</p>	<p>FTX-SBH045</p>  <p>Button Head 3*12</p>	<p>FTX-SBH046</p>  <p>Button Head 3*14</p>
<p>FTX-SBH051</p>  <p>Button Head 3*23</p>	<p>FTX-SCH004</p>  <p>Column Head 2*8</p>	<p>FTX-SBH043</p>  <p>Flat Head 2.5*10</p>	<p>FTX-SFH044</p>  <p>Flat Head 3*10</p>	<p>FTX-SBH003</p>  <p>Button Head 2*6</p>



<p>FTX10579</p> <p>Body Accessories</p>	<p>FTX6550</p> <p>Body Clip Ø1.2mm</p>	<p>FTX10577R FTX10577BK</p> <p>PC Body(Assembled)</p>	<p>FTX10578Clear FTX10578R FTX10578BK</p> <p>PC Body/Stickers</p>	
<p>FTX10557 (Brushed)</p> <p>Motor(RC550-8517)</p>	<p>ET0018 (Brushed)</p> <p>Servo-9KG</p>	<p>FTX10556 (Brushed)</p> <p>(without Gyro) Radio/Receiver</p>	<p>FTX10556R (Brushed)</p> <p>(without Gyro) DVC Receiver</p>	<p>FTX10584 (Brushed)</p> <p>WP1040 Speed Control</p>
<p>FTX10552 (Brushless)</p> <p>Brushless Motor 3300kv</p>	<p>ET2069</p> <p>Servo-15KG</p>	<p>FTX10554 (Brushless)</p> <p>Radio/Receiver</p>	<p>FTX10554-R (Brushless)</p> <p>Ftx Stinger Receiver Only</p>	<p>FTX10553 (Brushless)</p> <p>ESC Brushless-60A</p>
<p>FTX10583 (Brushed)</p> <p>Light</p>	<p>FTX10567</p> <p>Light Control Box</p>	<p>FTX10568</p> <p>Sway Bar + Links</p>		

OPTIONAL UPGRADABLE PARTS

<p>FTX10590</p> <p>Motor Mount(AL.)</p>	<p>FTX10591</p> <p>Motor Gear (23T/29T)</p>	<p>FTX10592</p> <p>Rear Axle Mount(AL.)</p>	<p>FTX10593</p> <p>Steering Mount(AL.)</p>	<p>FTX10594</p> <p>Caster Block(AL.)</p>
<p>FTX10596</p> <p>Aluminium Shock Absorber Set</p>				