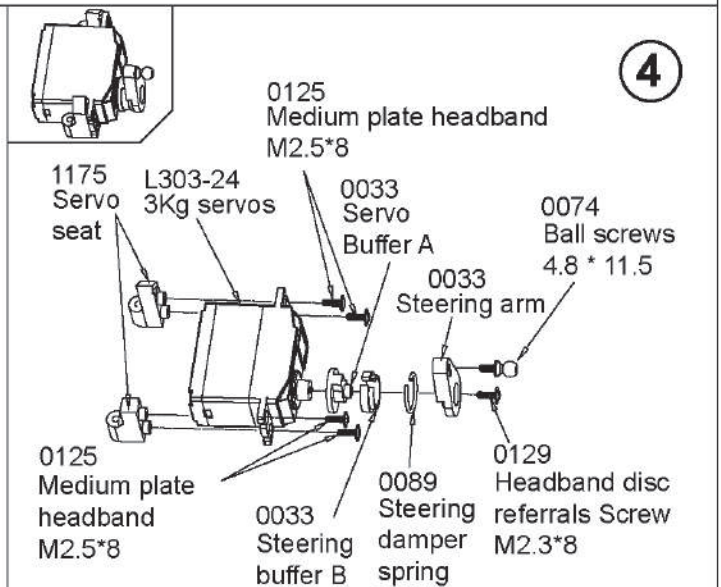
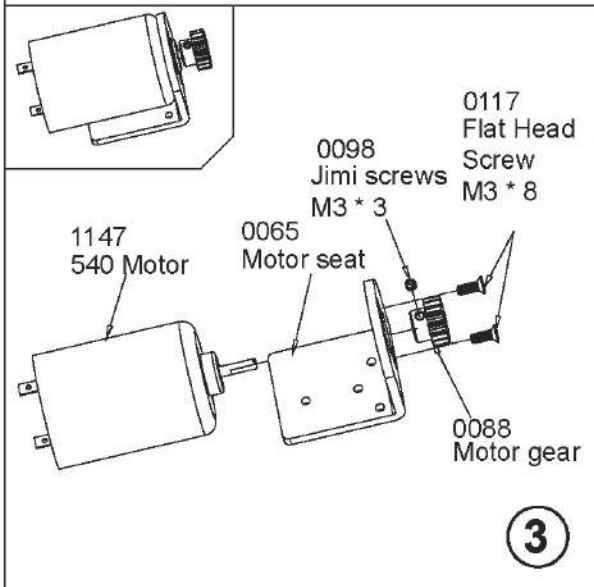
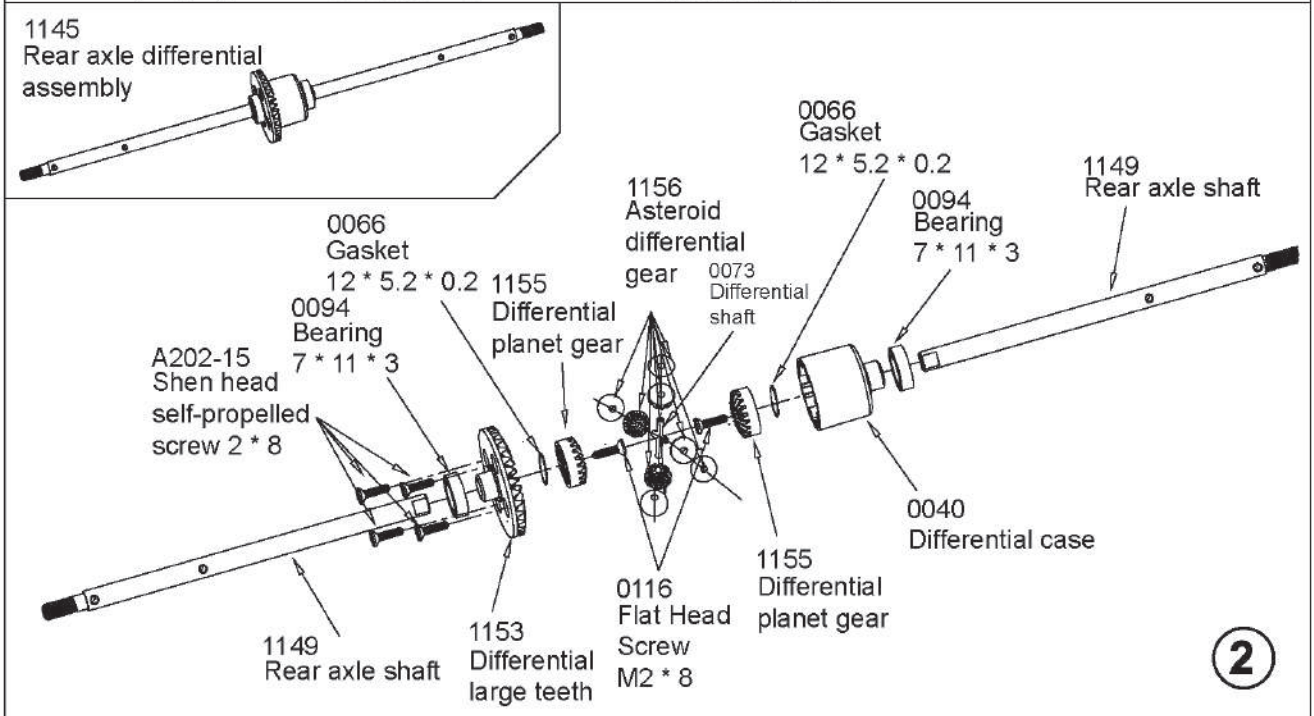
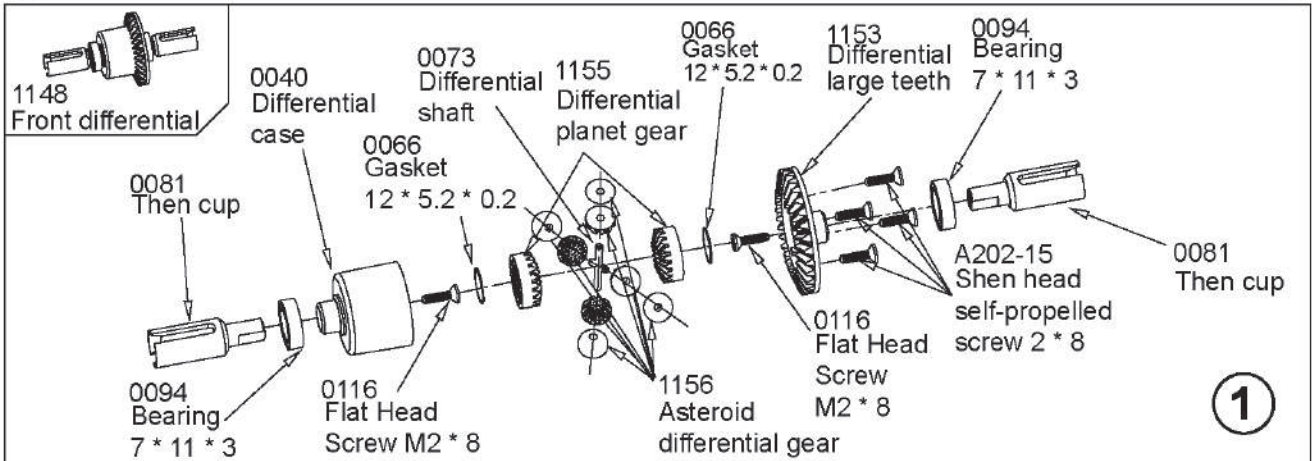
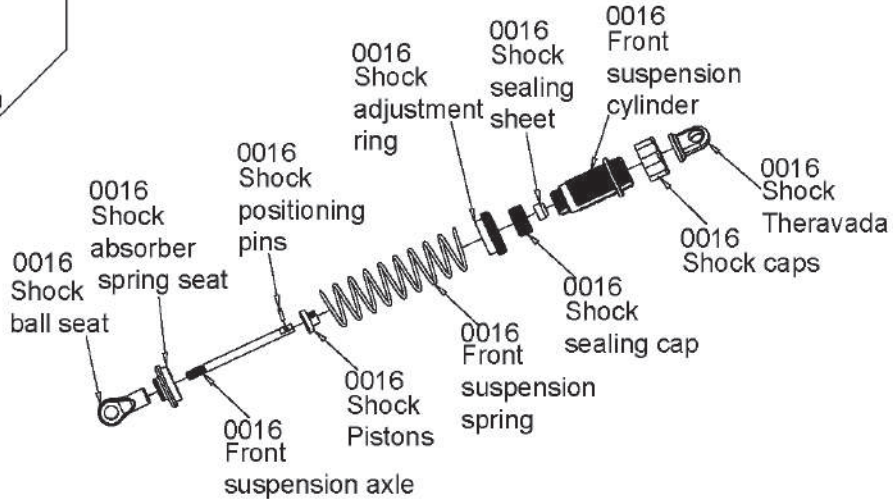


Assembly Exploded Diagram





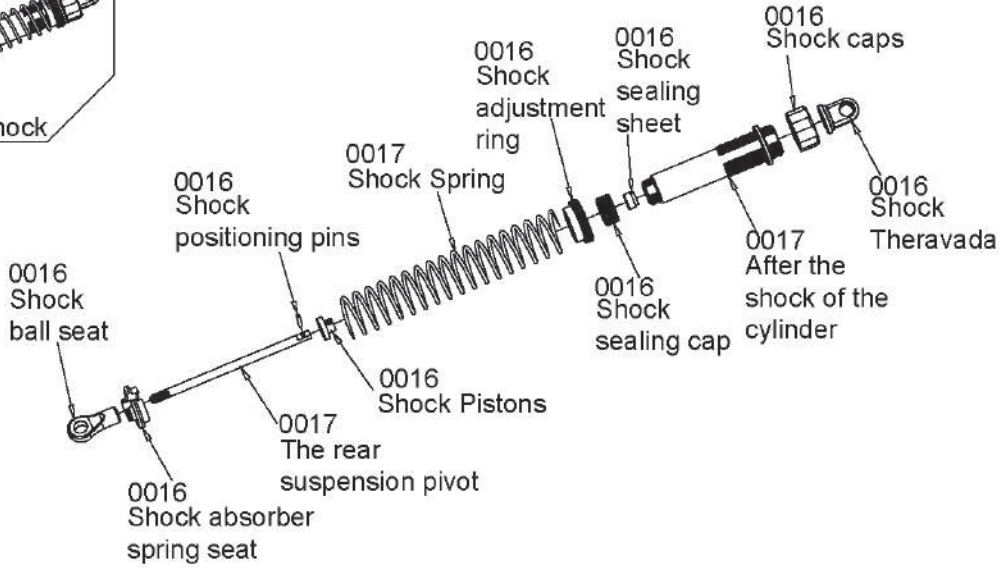
0016 Front suspension



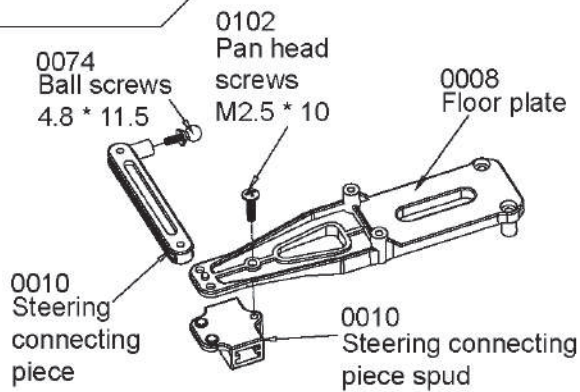
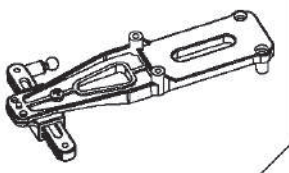
5



0017 Rear Shock



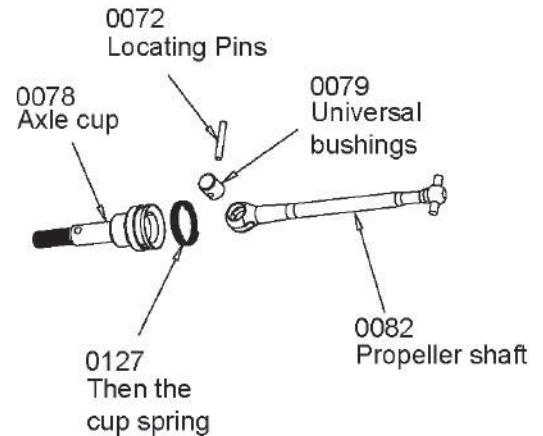
6



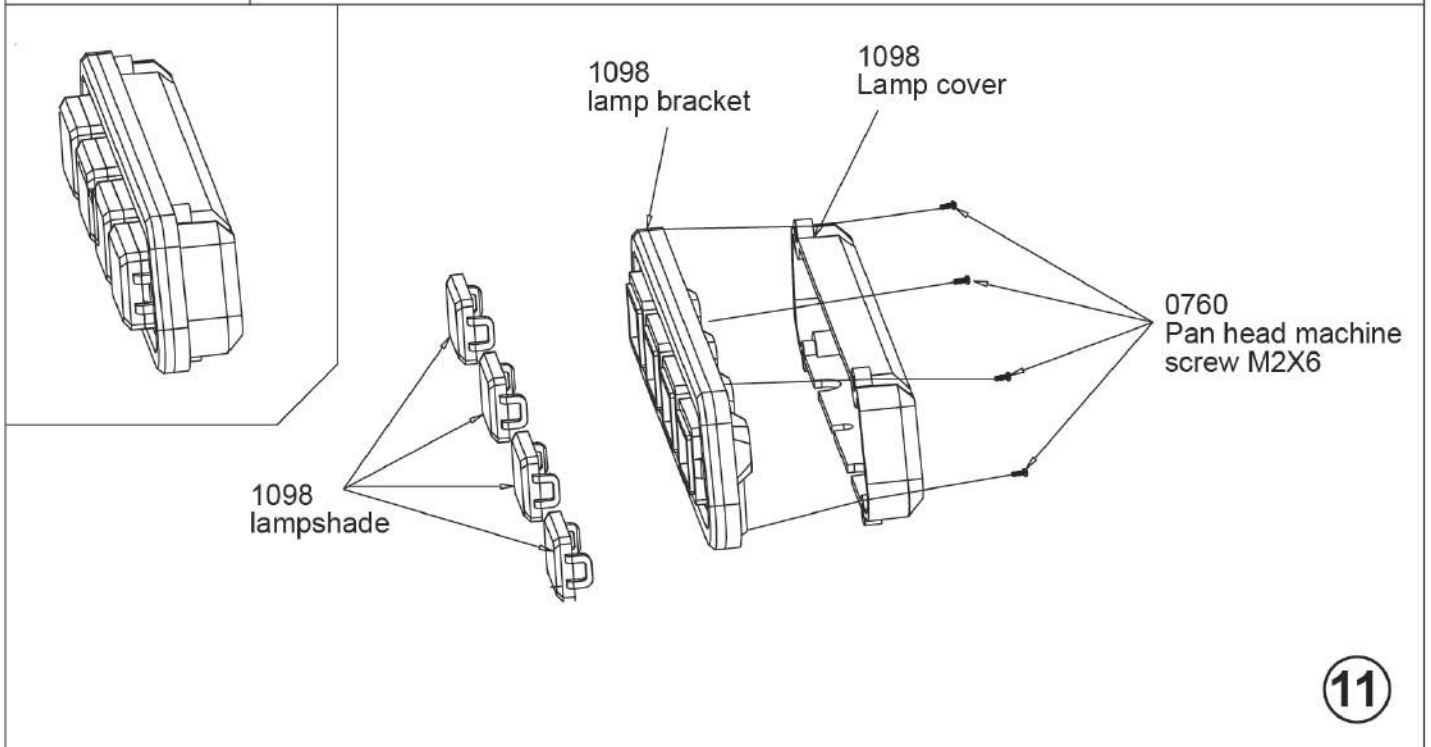
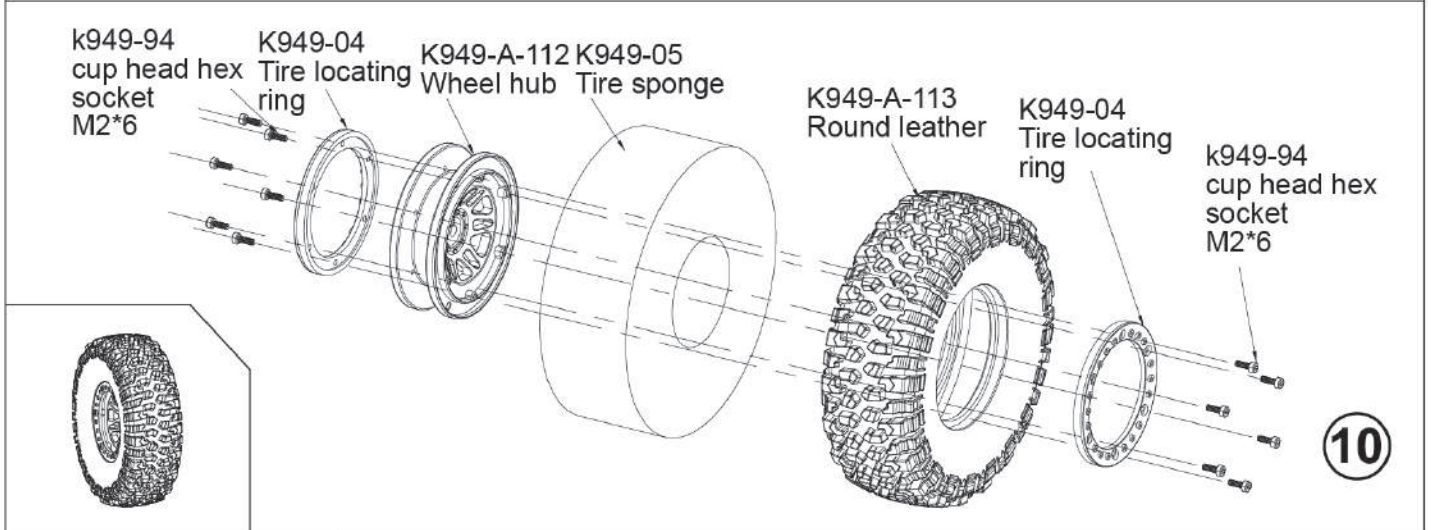
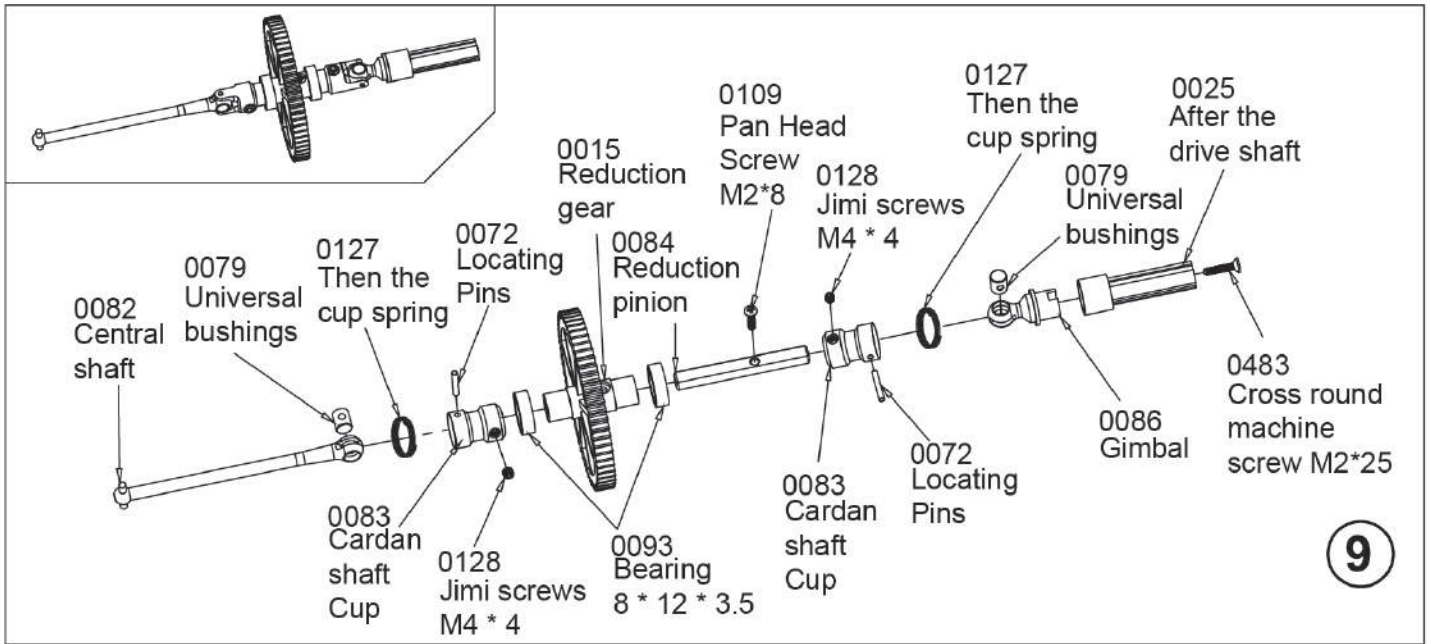
7

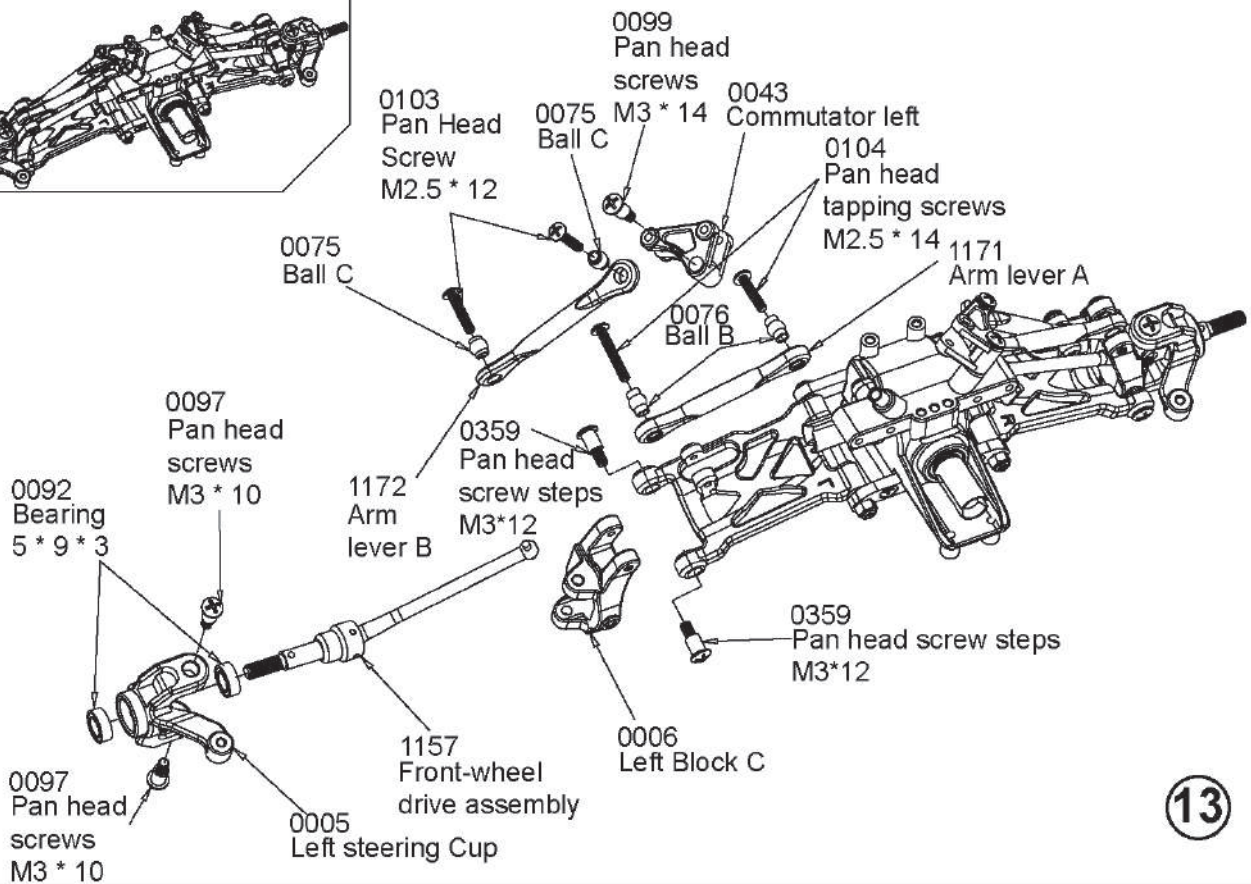
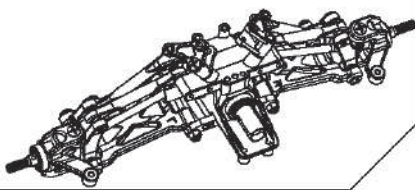
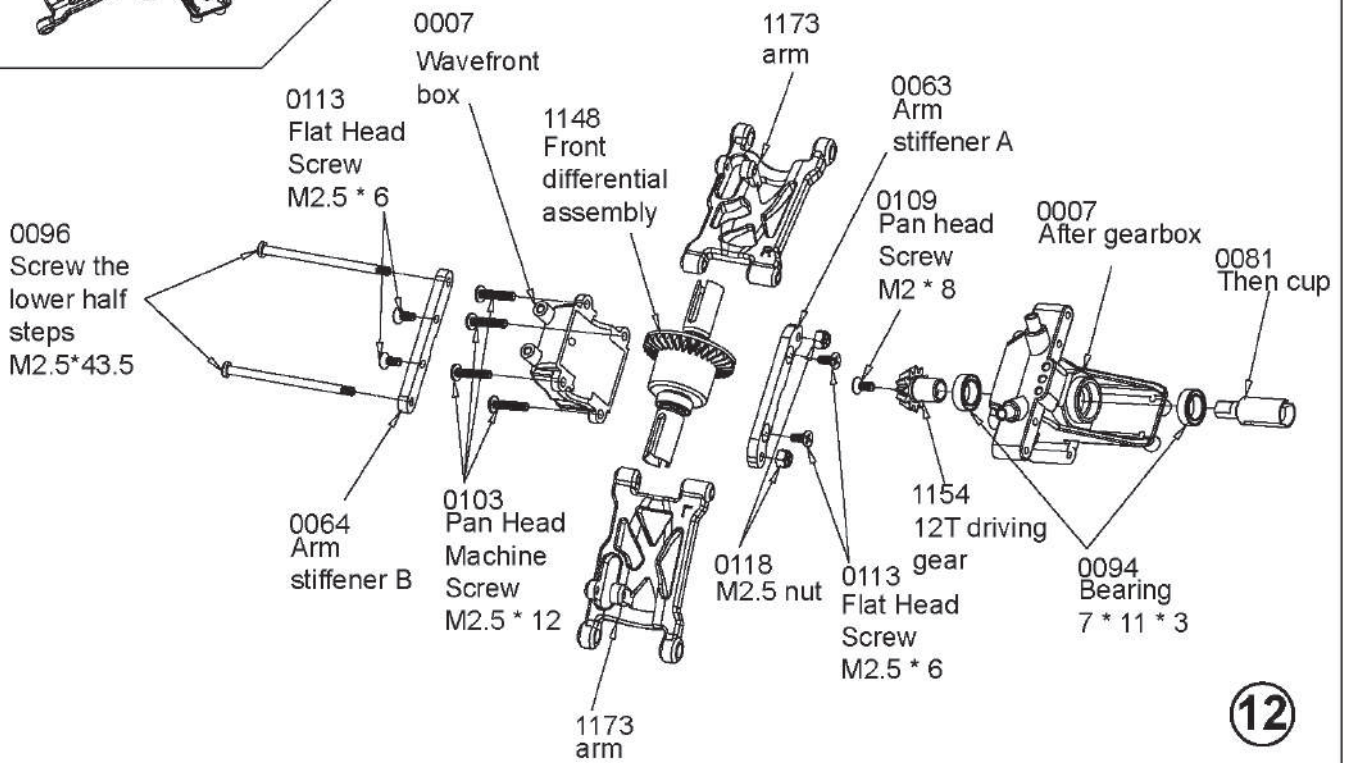
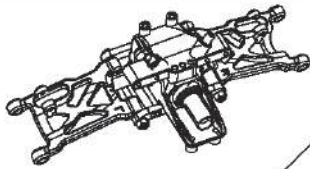


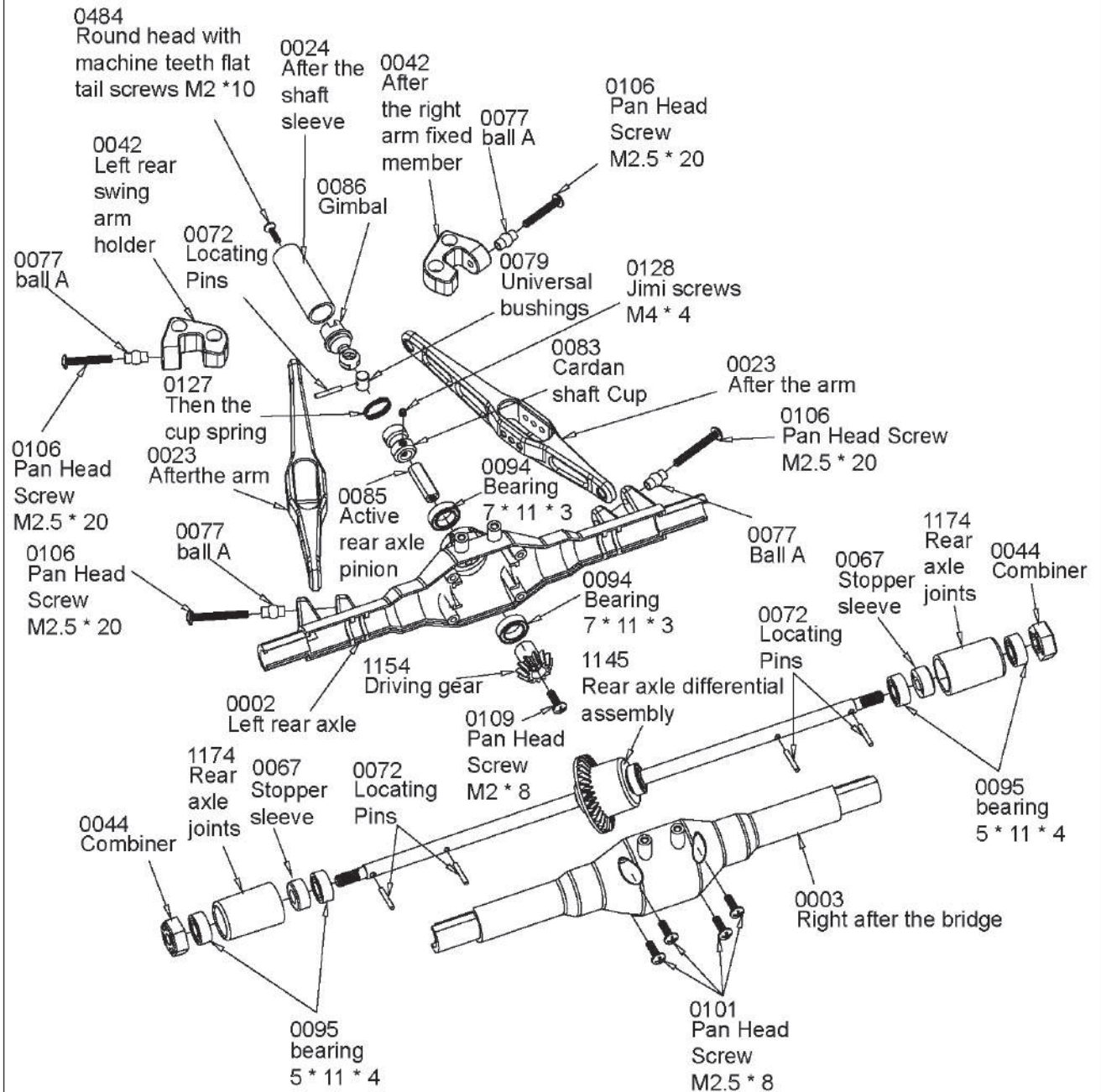
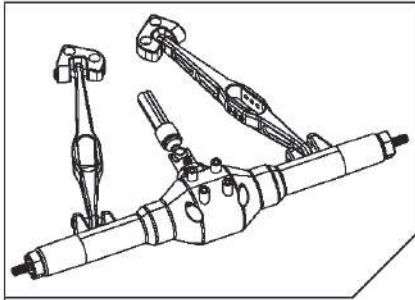
1157 Front-wheel drive shaft

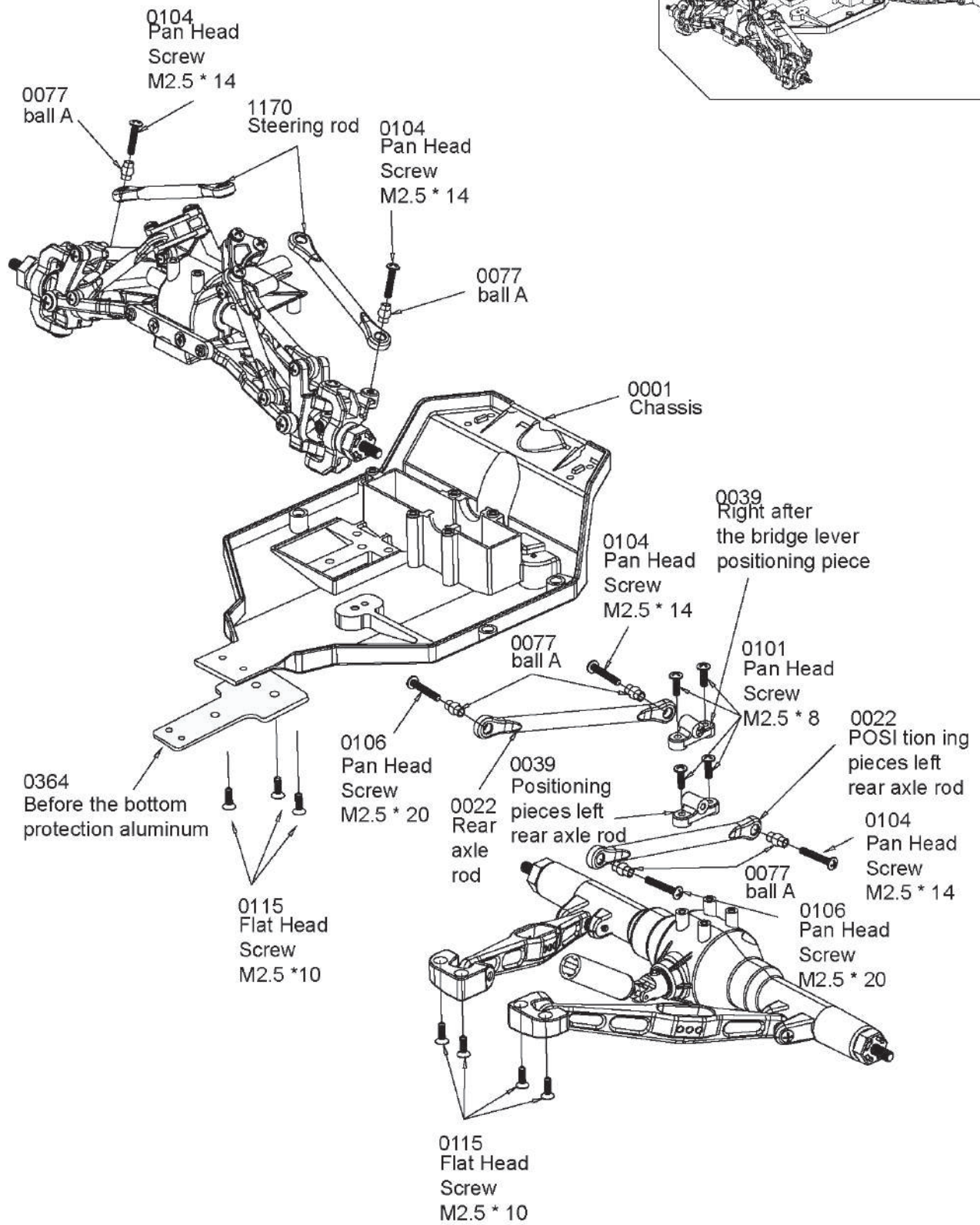
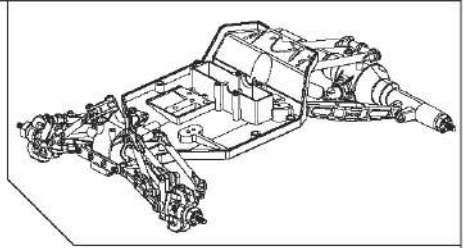


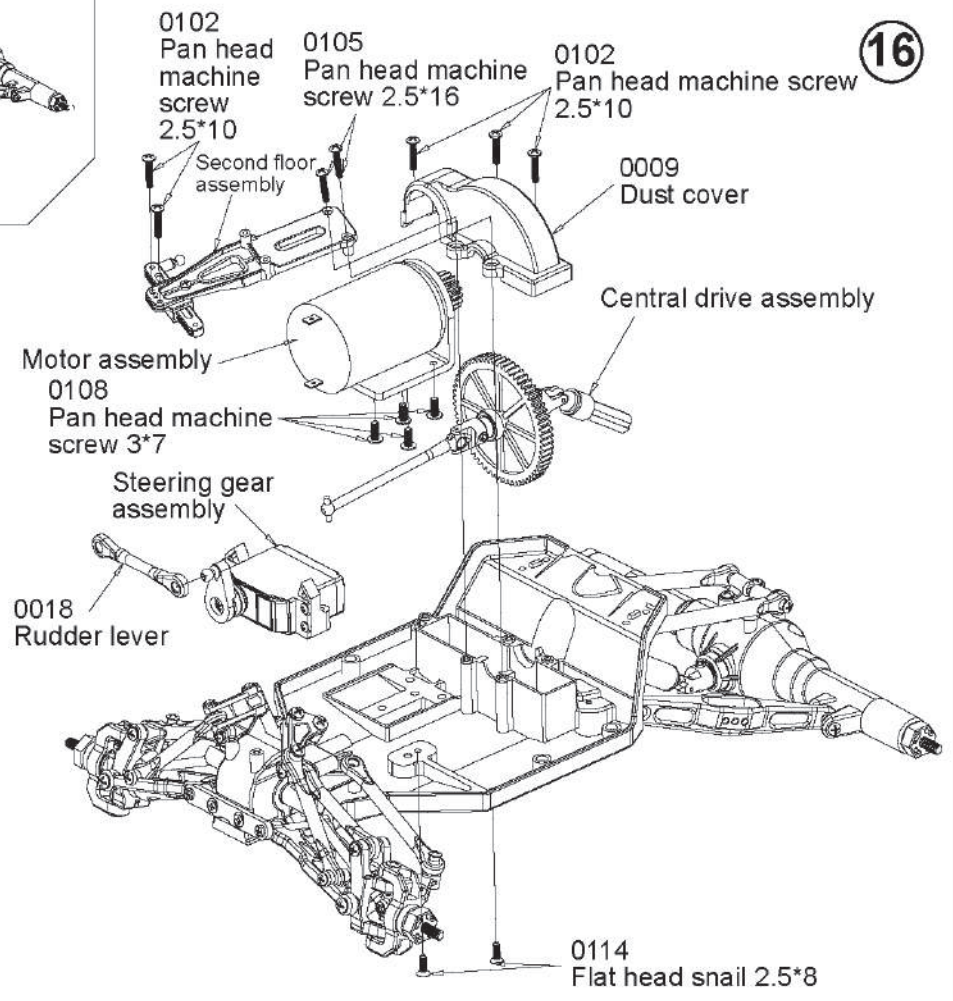
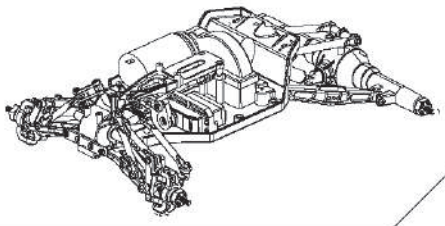
8



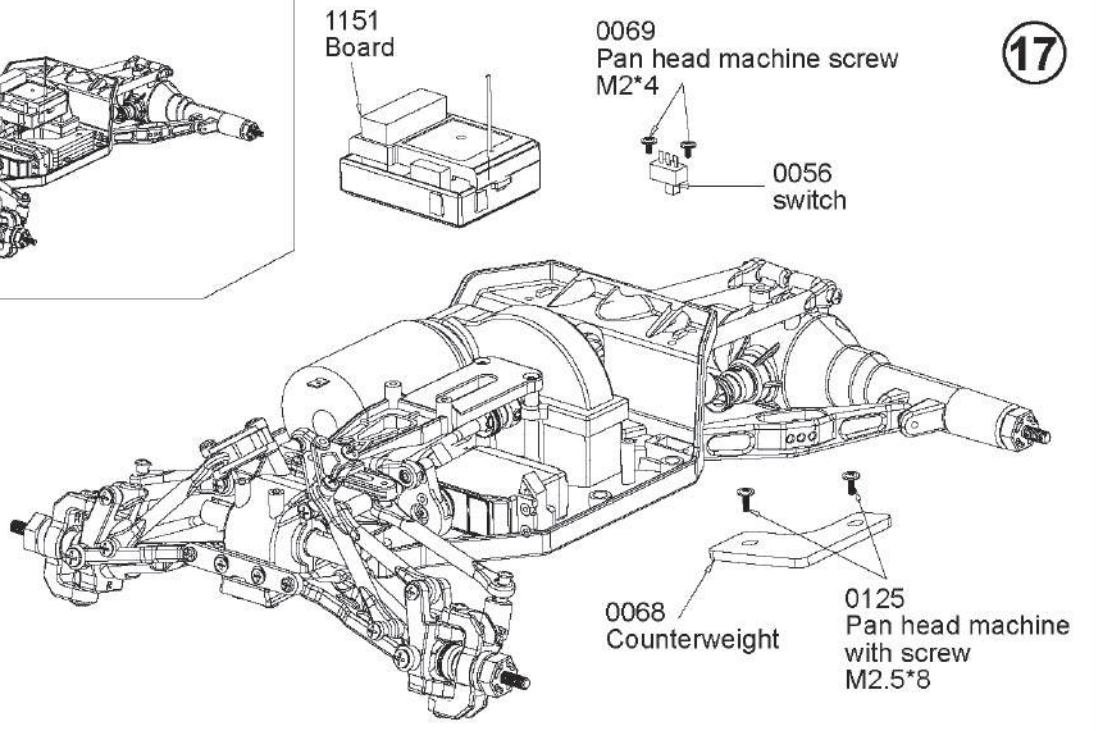
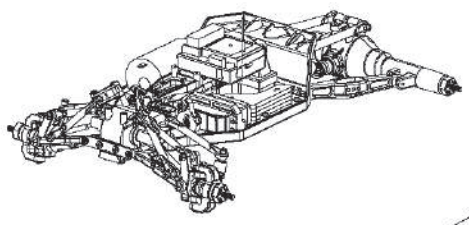






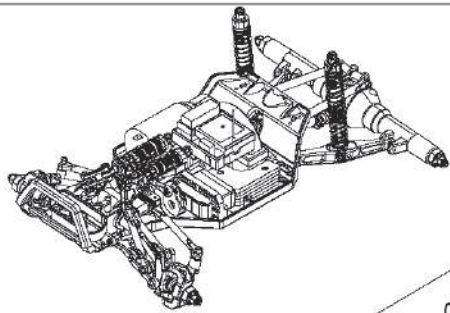


16



17

18



0104
Pan head
machine screw
2.5*14

0077
Ball head A

0103
Pan head
machine screw
5*12

Rear suspension component

0076
Ball
head B

0075
Ball
head C

Front suspension
component

0101
Pan head machine
screw 2.5*8

1097
Front bumper

0077
Ball head A

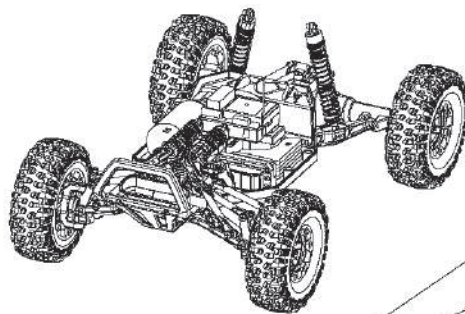
Rear suspension
component

1097
Front bumper

0104
Pan head
machine
screw
2.5*14

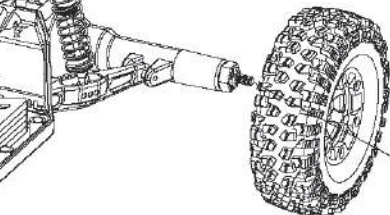
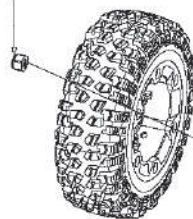
0101
Pan head machine
screw 2.5*8

0115
Flat head snail 2.5*10

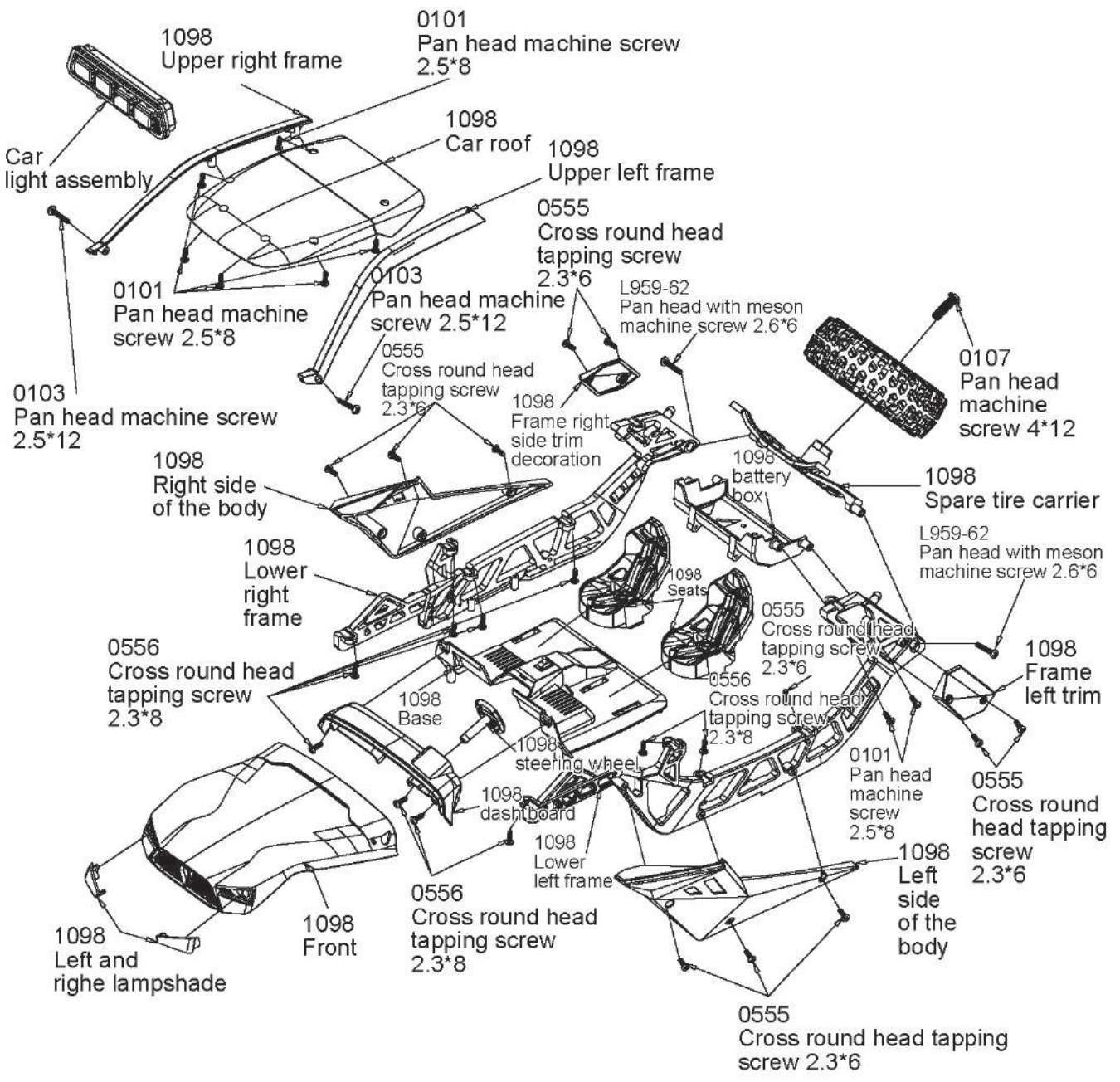
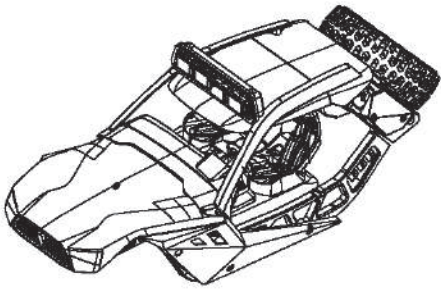


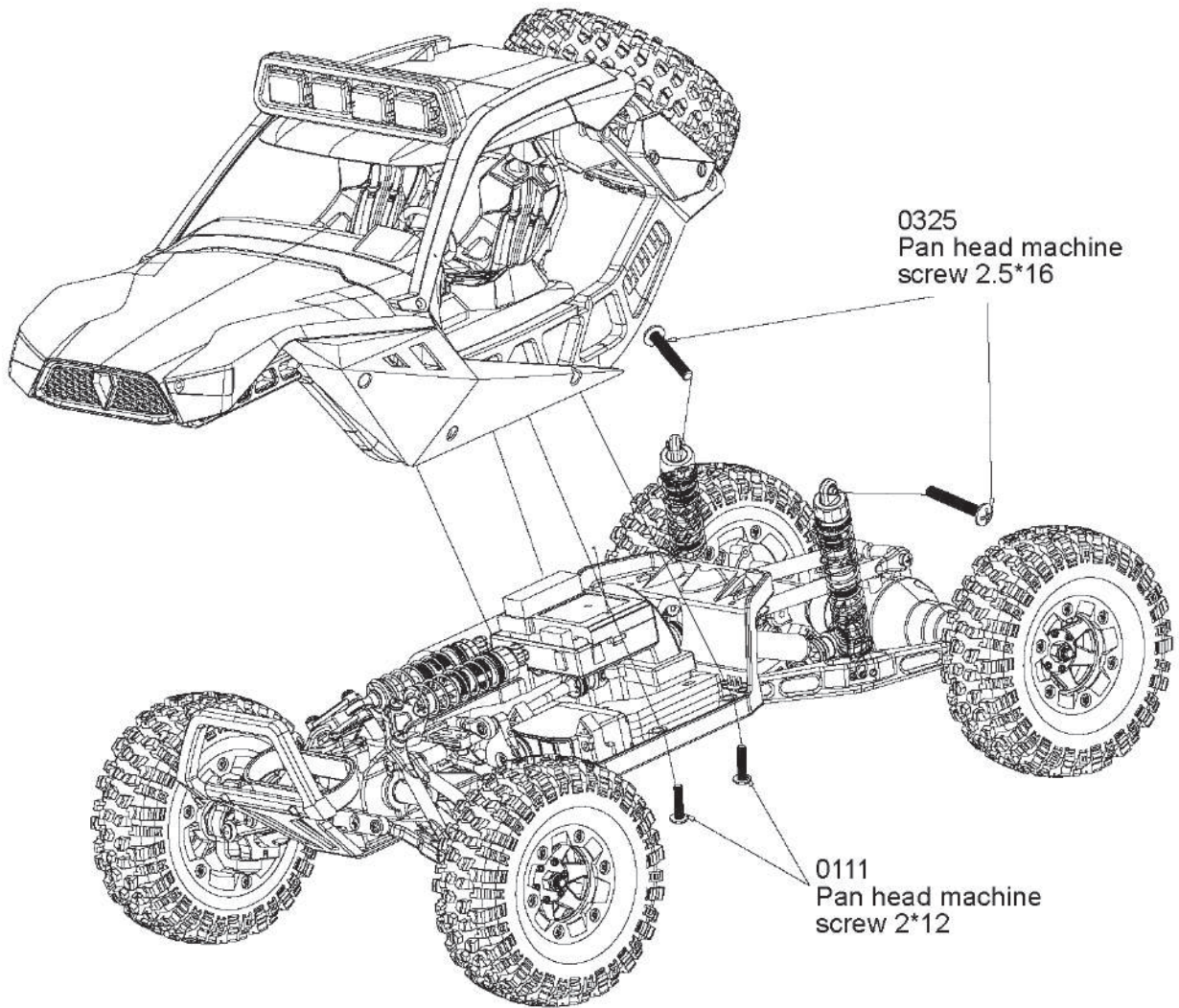
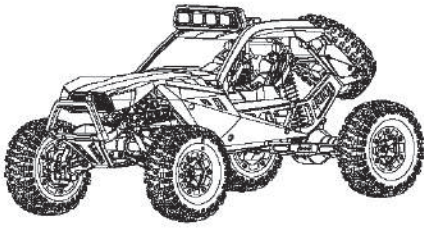
19

0119
Nuts M4



0119
Nuts M4



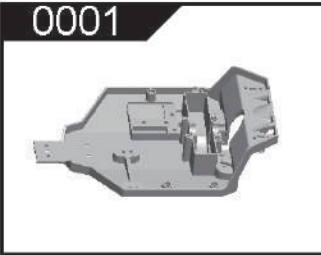


0325
Pan head machine
screw 2.5*16

0111
Pan head machine
screw 2*12

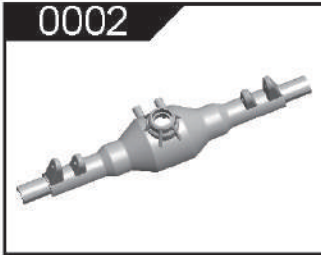
Sale parts view

0001



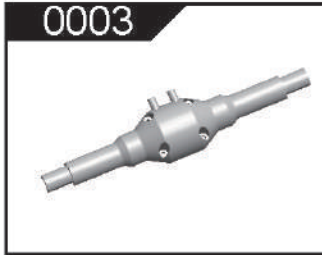
Chassis

0002



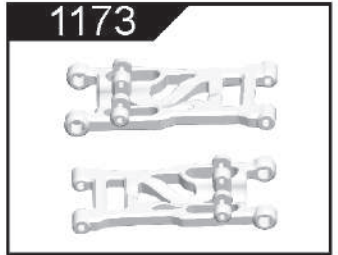
Left rear axle

0003



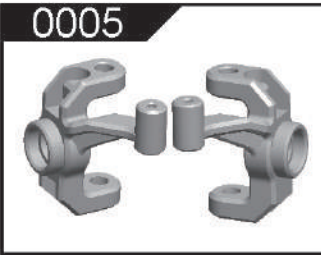
Right after the bridge

1173



arm

0005



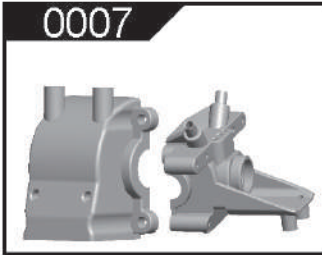
Left/Right steering Cup

0006



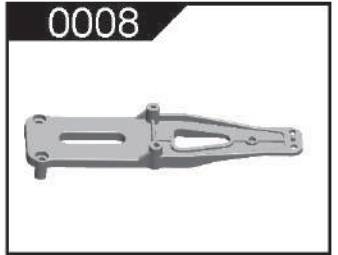
Left/Right Block C

0007



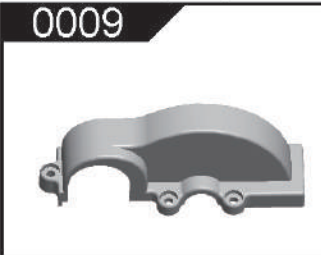
Wavefront box

0008



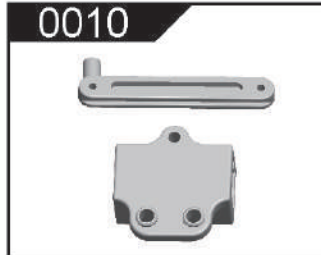
Floor board assembly

0009



Dust cover

0010



Steering connecting piece

1153



Differential planet teeth

1154



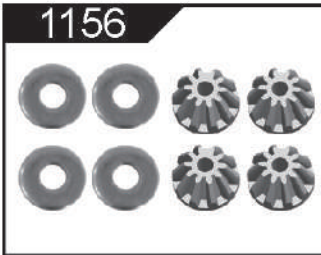
12T driving gear

1155



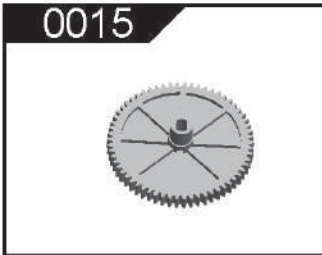
Differential planet gear

1156



Asterold differential gear

0015



Reduction gear

0016



Front suspension

0017



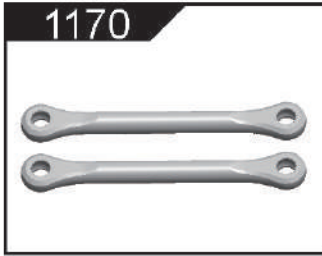
Rear Shock

0018



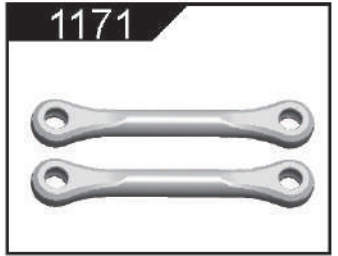
Steering rod

1170



Steering rod

1171

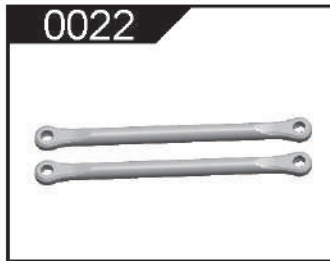


Arm leverA

Sale parts view



Arm lever B



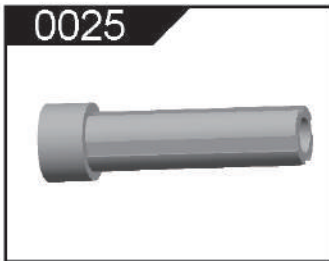
Rear axle rod



After the arm



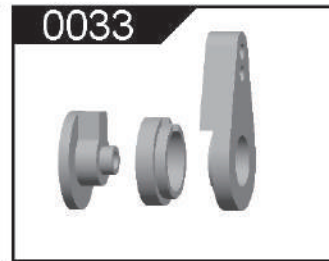
After the shaft sleeve



After the drive shaft



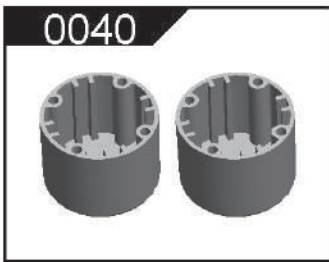
Servo seat



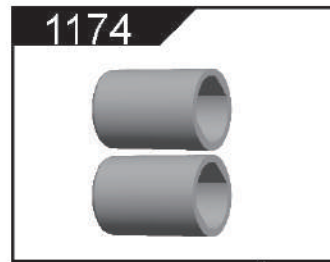
Steering arm



Left/Right after the bridge lever positioning piece



Differential case



Rear axle joints



Left/Right Rear swing arm holder



Left/Right Commutator left



Combiner



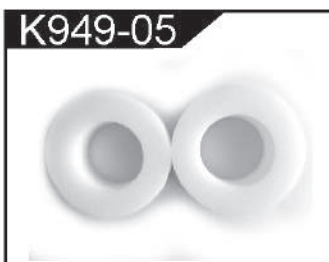
Hub



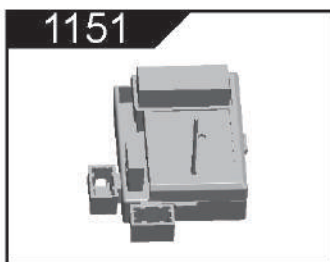
Wheel hub cover



Shen head self-propelled screw 2 * 8



Sponge



Circuit board

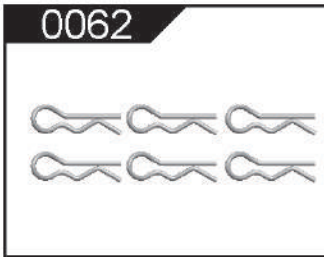


Tire

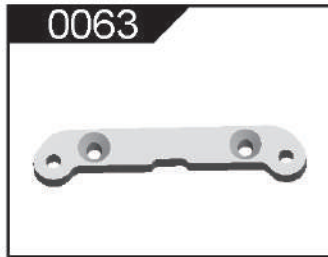


Pan head machine screw M2X6

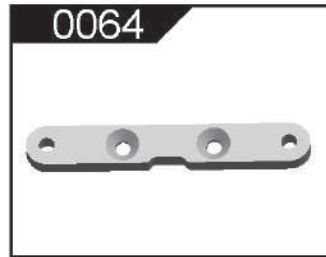
Sale parts view



0062
Car shell folder



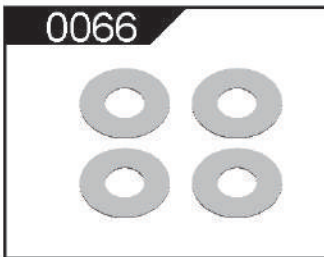
0063
A swing arm stiffener



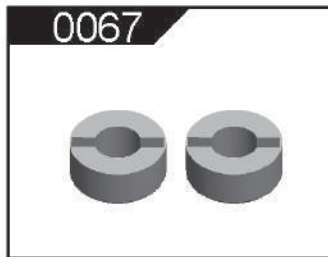
0064
Arm strengthen slice B



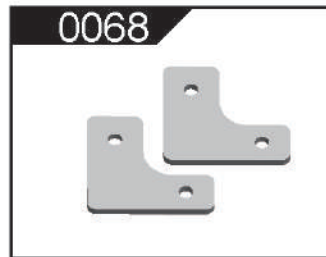
0065
Motor seat



0066
Gasket
12 * 5.2 * 0.2



0067
Shock adjustment ring



0068
Counterweight



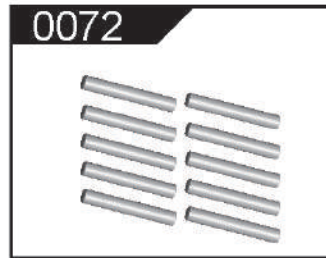
0069
M2 * 4 screws



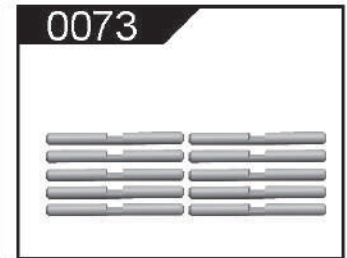
L959-62
Cross round head tapping screw
ST2.6x6



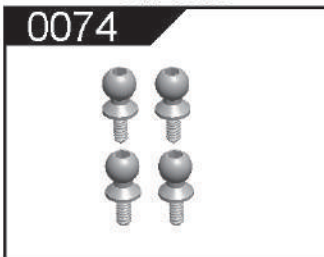
K949-94
Cup head hex head machine 2X6HM



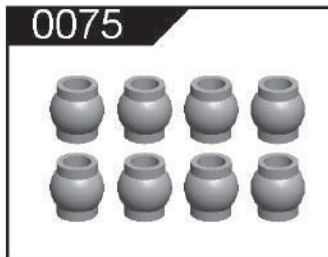
0072
Locating Pins



0073
Differential shaft



0074
Ball screws 4.8*11.5



0075
Ball C



0076
Ball B



0077
Ball A



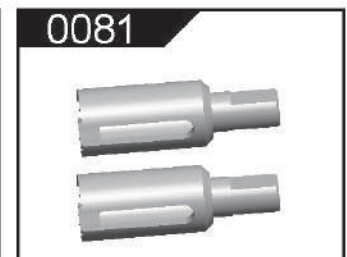
0078
Axle cup



0079
Universal bushings



1144
Rear drive assembly

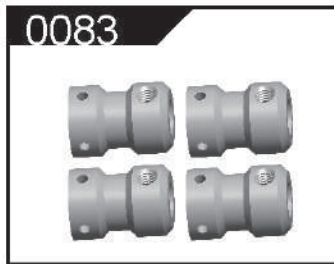


0081
Then cup

Sale parts view



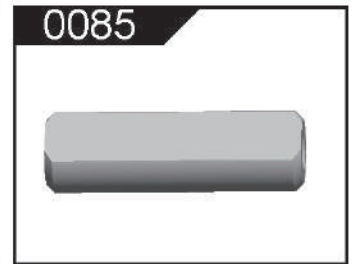
Central shaft



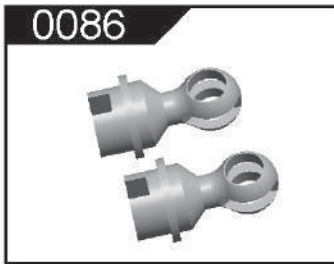
Cardan shaft Cup



Reduction pinion



Active rear axle pinion



Gimbal



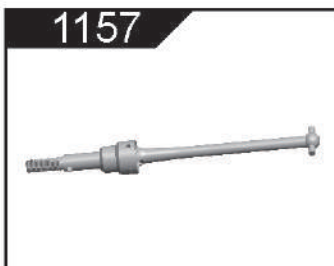
Rear axle shaft



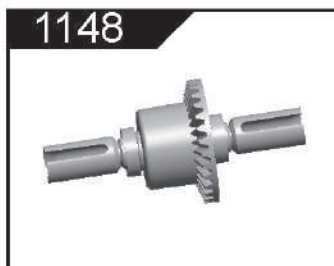
Motor gear



Steering damper spring



Front-wheel
drive shaft



Front differential



Bearing 5*9*3



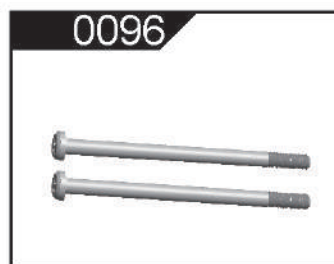
Bearing 8*12*3.5



Bearing 7*11*3



Bearing 5 * 11 * 4



Screw the lower
shaft steps M2.5*40



Pan head screws
M3*10



Jimi screws
M3*3



Pan head screws
M3*14



Dish headband
mediated M2*8



Pan Head Screw
M2.5*8

Sale parts view

0102



Pan Head Screw
M2.5*10

0103



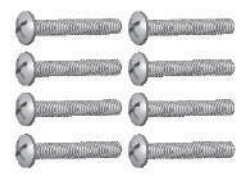
Pan Head Screw
M2.5*12

0104



Pan Head Screw
M2.5*14

0105



Pan Head Screw
M2.5*16

0106



Pan Head Screw
M2.5*20

0107



Pan Head
Screw M4*12

0108



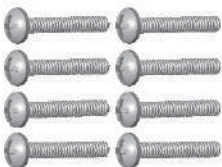
Pan Head Screw
M3*7

0109



Pan Head Screw
M2*8

0111



Pan HeadScrew
M2*12

0113



Flat Head Screw
M2.5*6

0114



Flat Head Screw
M2.5*8

0115



Flat Head Screw
M2.5*10

0116



Flat Head Screw
M2 * 8

0117



Flat Head Screw
M3*8

0118



M2.5 nut

0119



M4 nut

L303-24



3Kg servos

1147



540 Motor

0122



Headlight

0123



Battery

Sale parts view

1146



USB charging wire

0125



Medium plate headband
M2.5*8

0127



Then the cup spring

0128



Jimi screws M4 * 4

0129



Headband disc
referrals Screw M2.3*8

0132



Climbing car headlights

1145



After the differential
component

0325



Pan head with dielectric
tooth machine screws
M2.5 * 16

1176



remote control

0359



Pan head screw steps
M3*12

0364



Before the bottom
protection aluminum

0476



Rear drive shaft
assembly

0477



Rear drive sleeve
assembly

0478



Central drive shaft
assembly

0483



Cross round machine
screw M2*25

0484



Round head with
machine teeth flat
tail screws M2*10

0781



Cardan shaft cup
assembly

0334



Cup head hex head
machine 2X8HM

0555



Cross round head
tapping screw ST 2.3x6

0556



Cross round head
tapping screw ST 2.3x8

Sale parts view

1097



Front bumper

1098



Car shell assembly