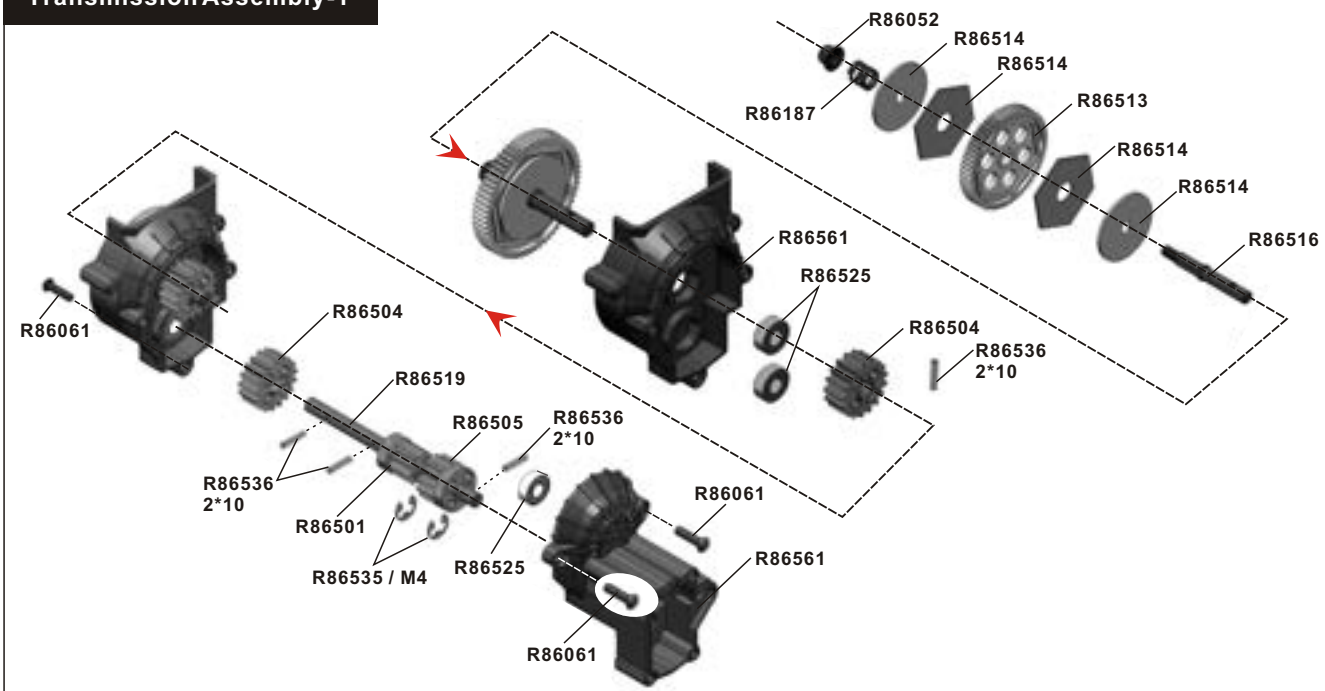
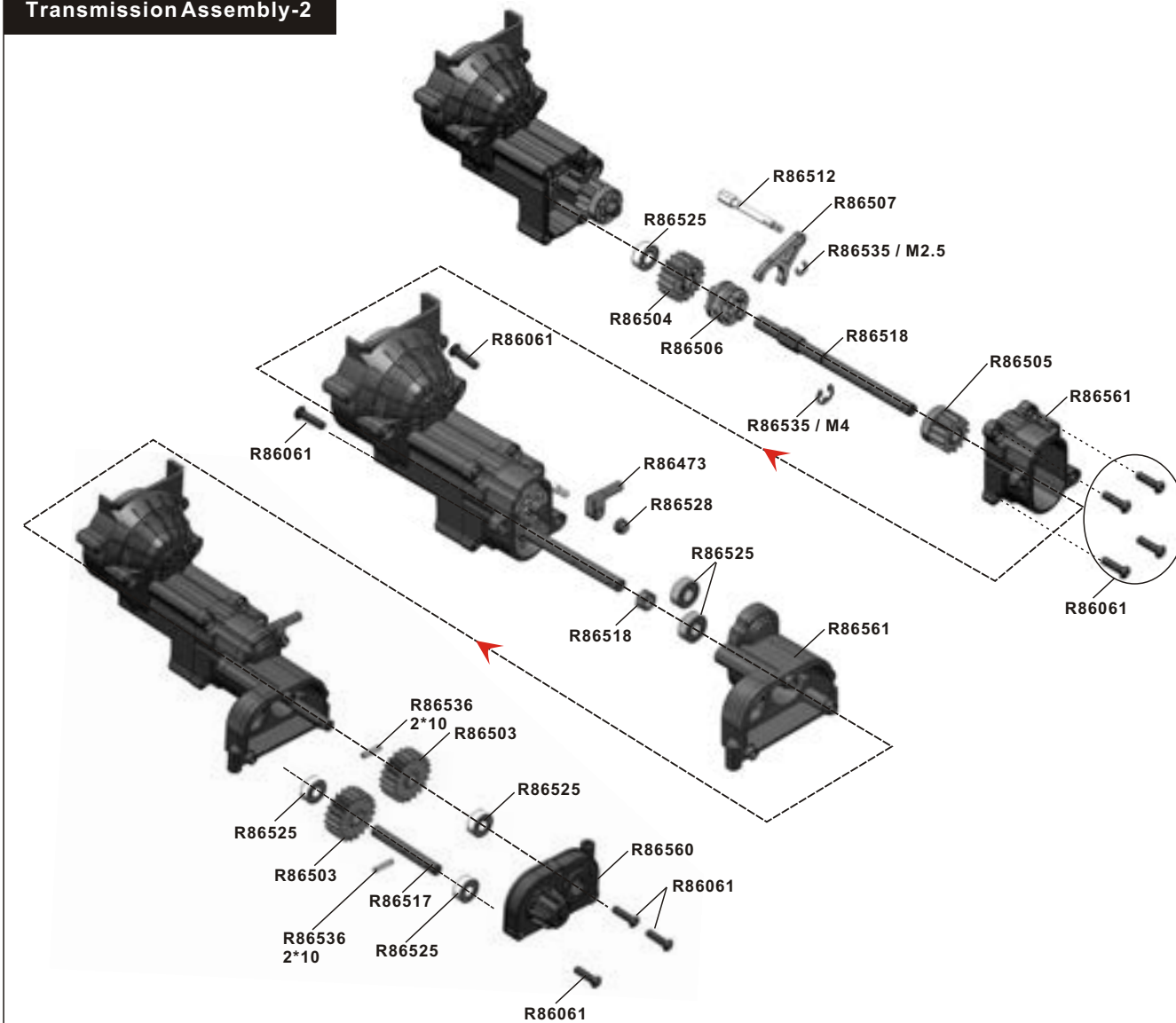


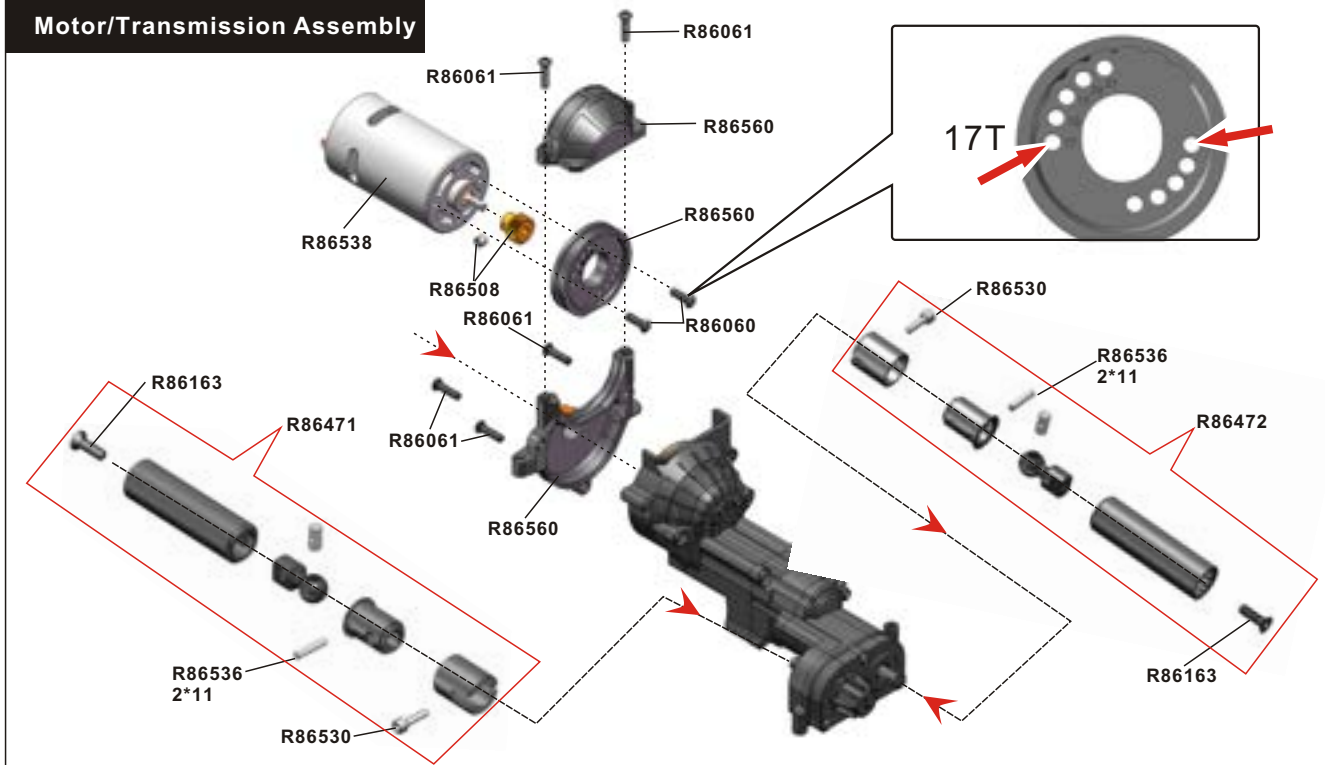
**Transmission Assembly-1**



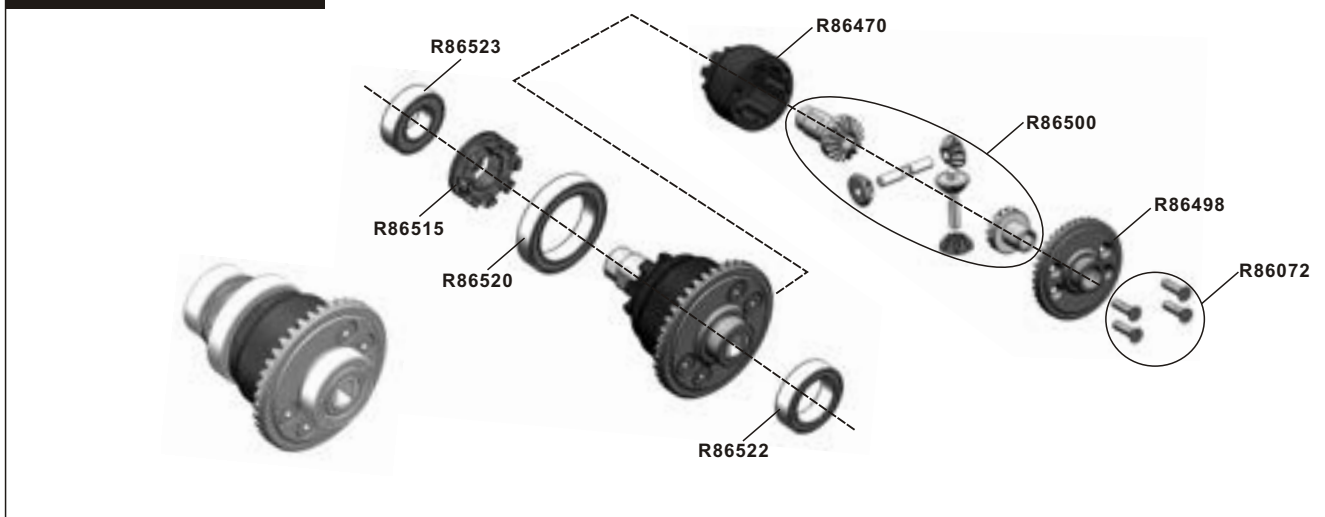
**Transmission Assembly-2**



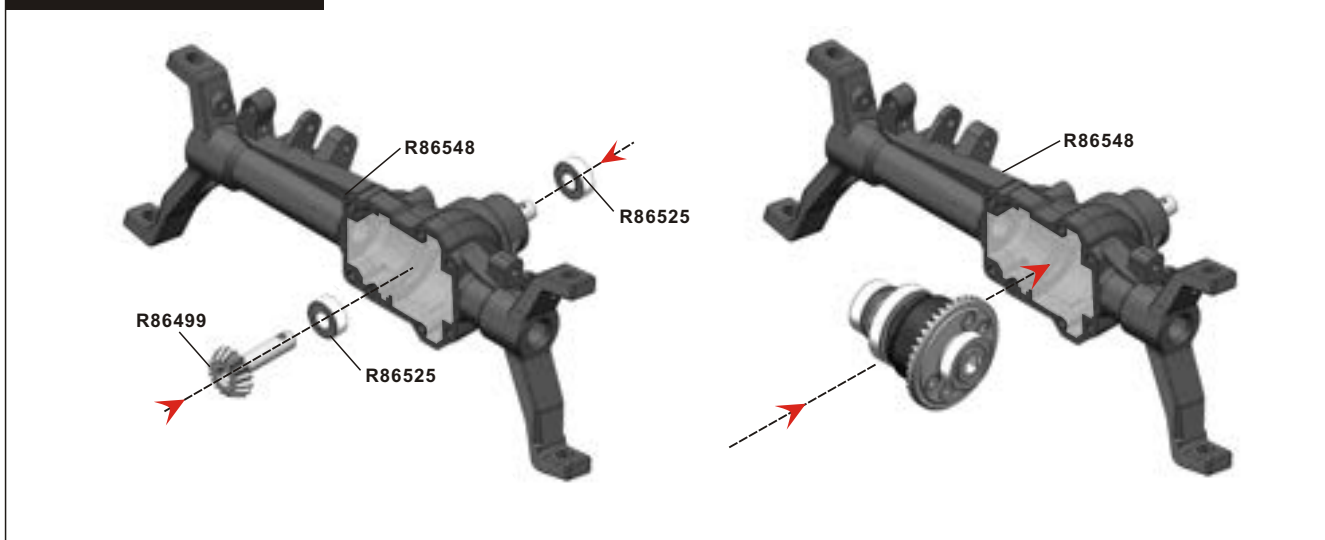
**Motor/Transmission Assembly**



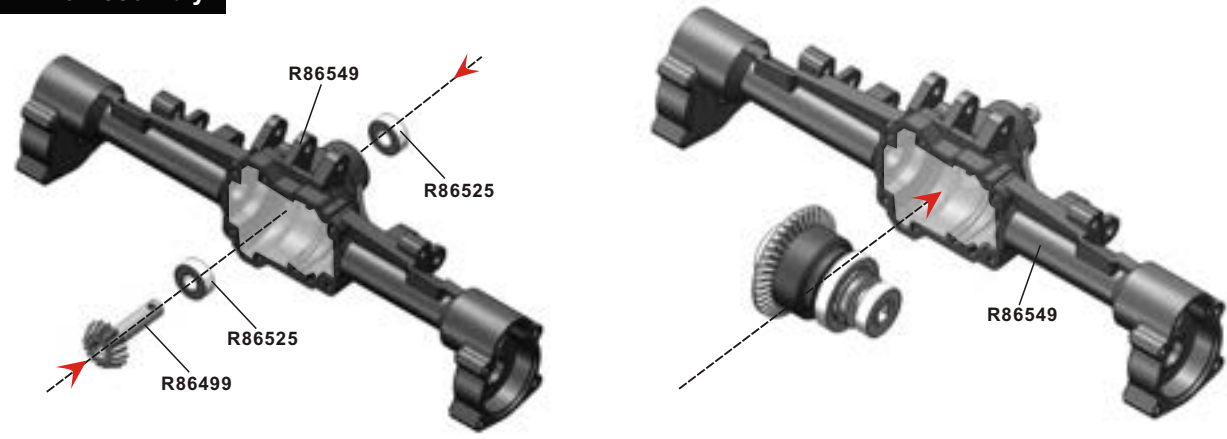
**Diff.gear Assembly**



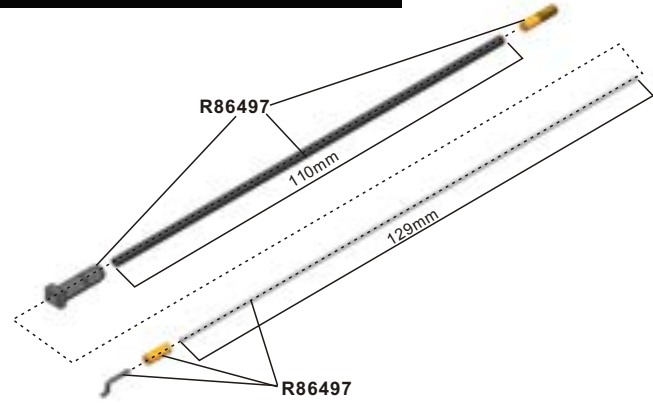
**Front Axle Assembly**



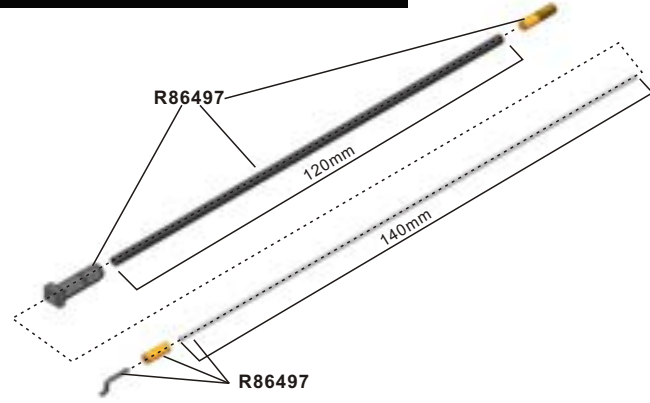
**Rear Axle Assembly**



**Diff.Lock Line Assembly (Front)**



**Diff.Lock Line Assembly (Rear)**

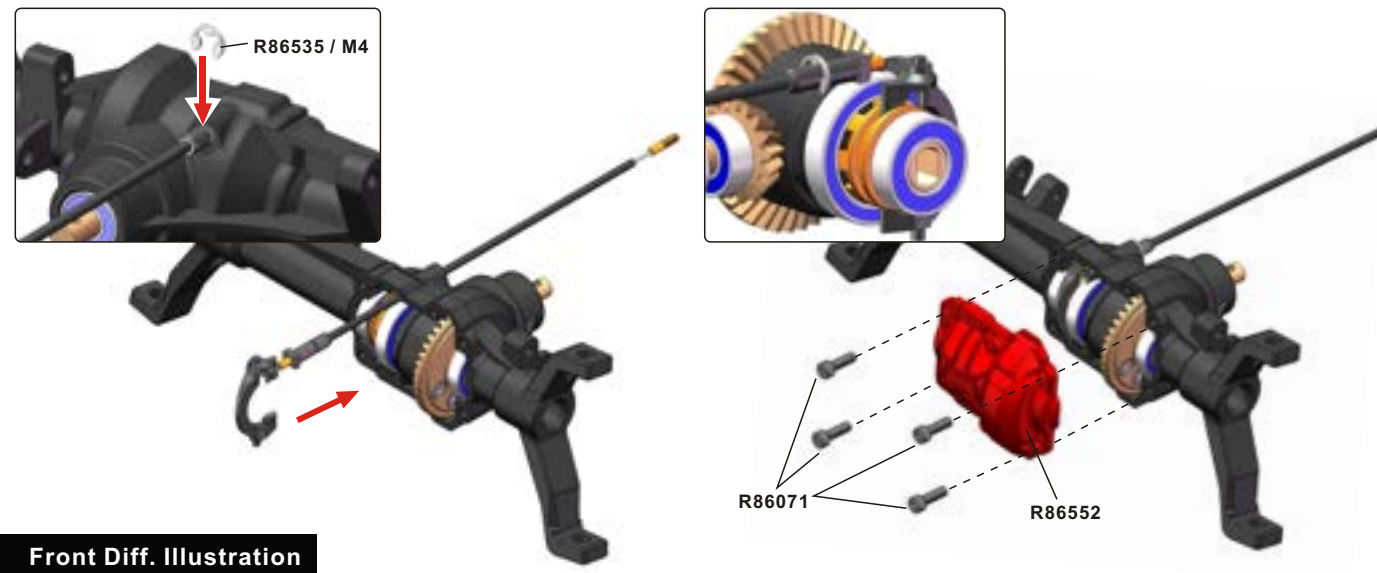


**Diff. Lock Clasp (F-1)**

**Diff. Lock Clasp (F-2)**

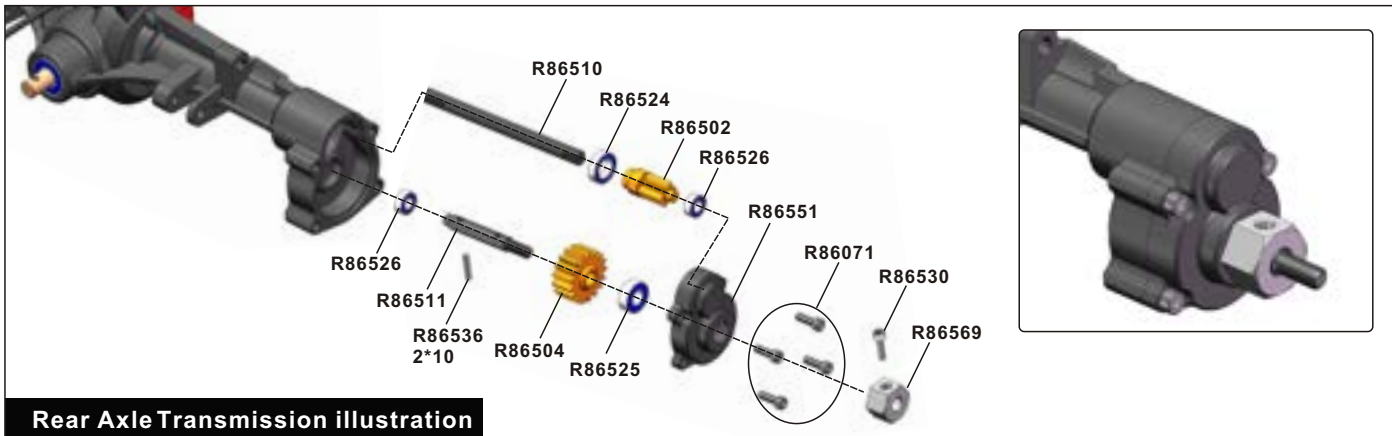
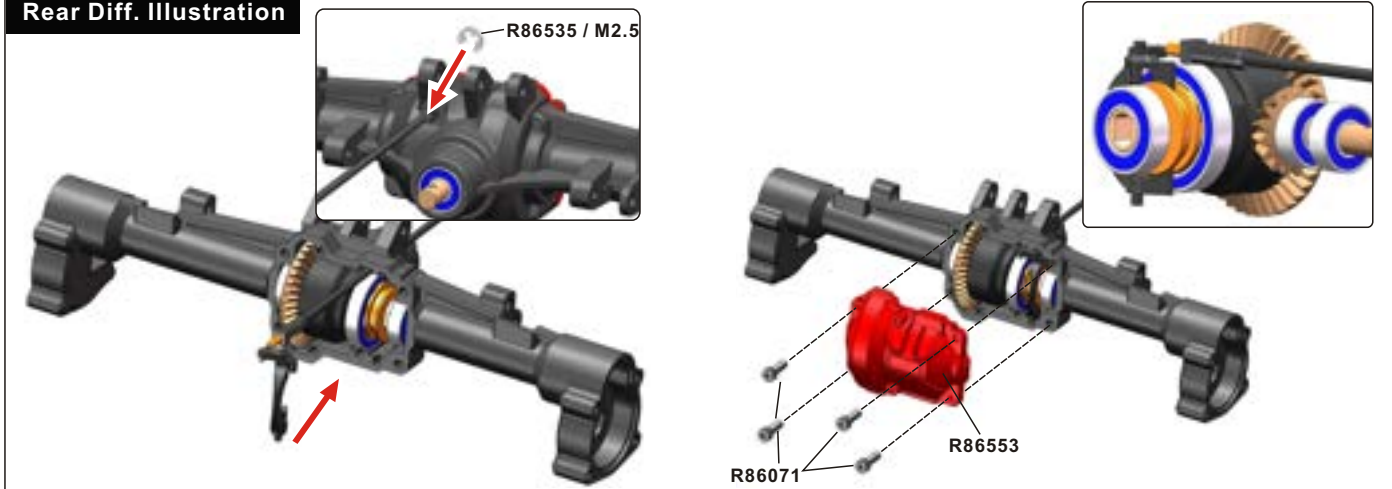
**Diff. Lock Clasp (R-1)**

**Diff. Lock Clasp (R-2)**

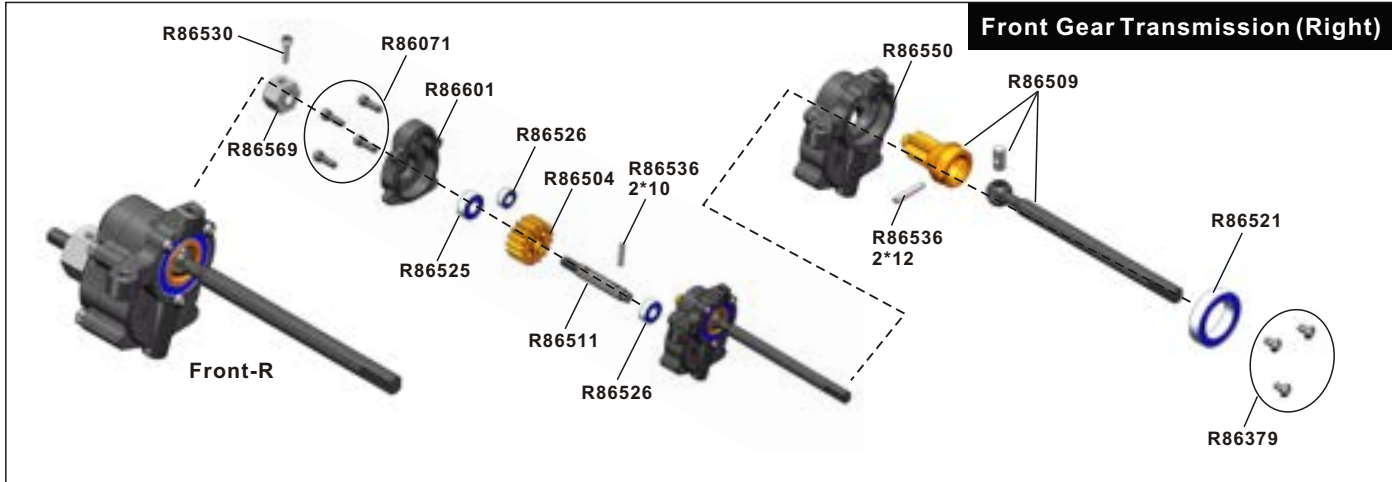


**Front Diff. Illustration**

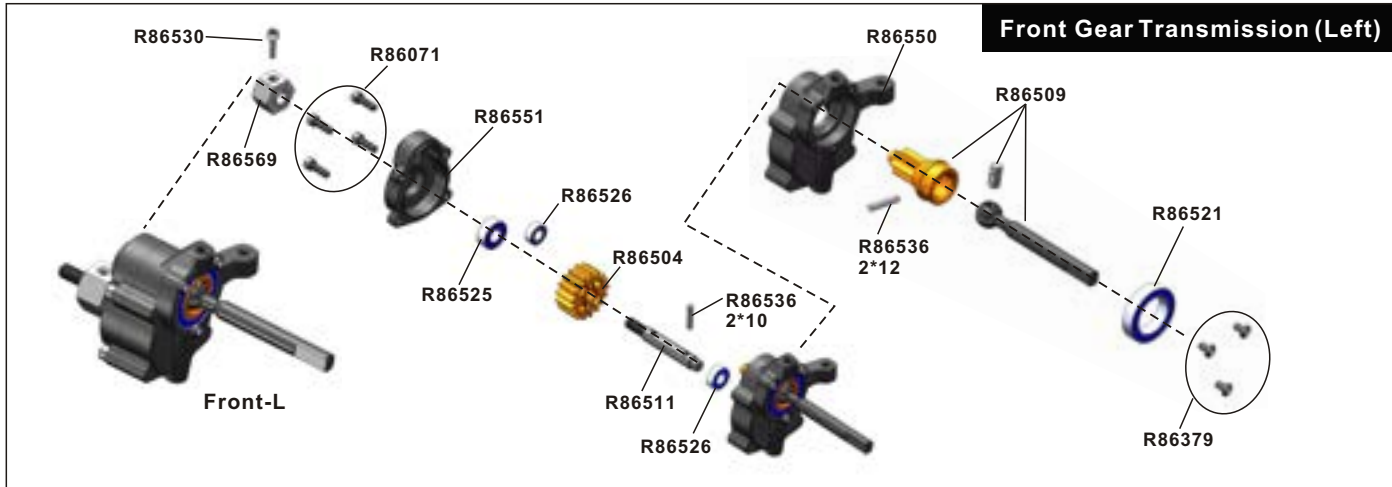
**Rear Diff. Illustration**



**Rear Axle Transmission illustration**

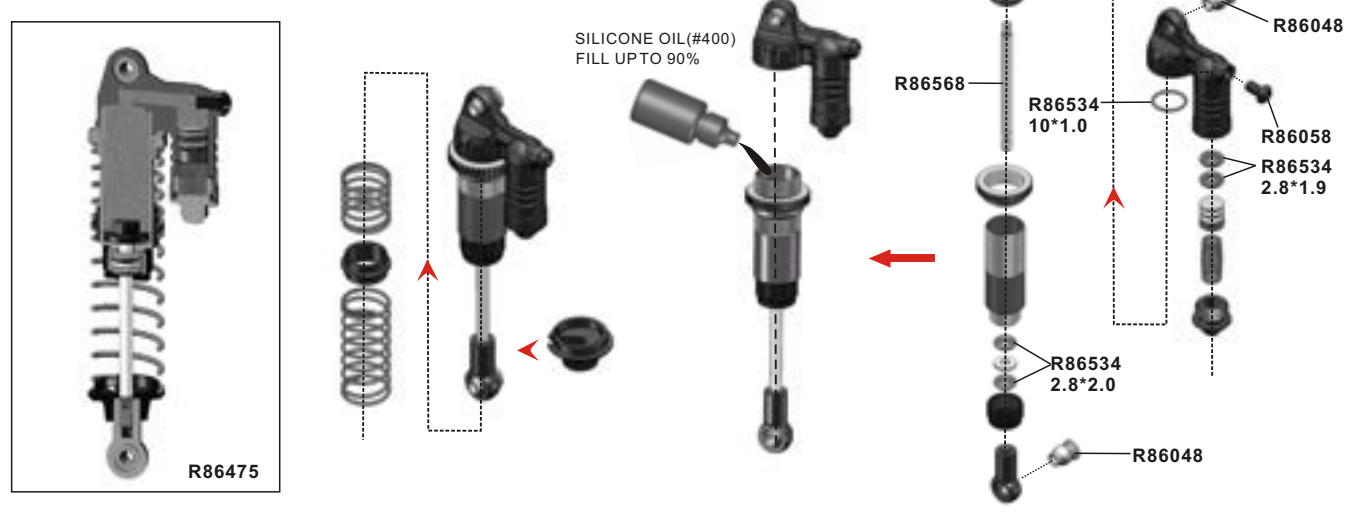


**Front Gear Transmission (Right)**

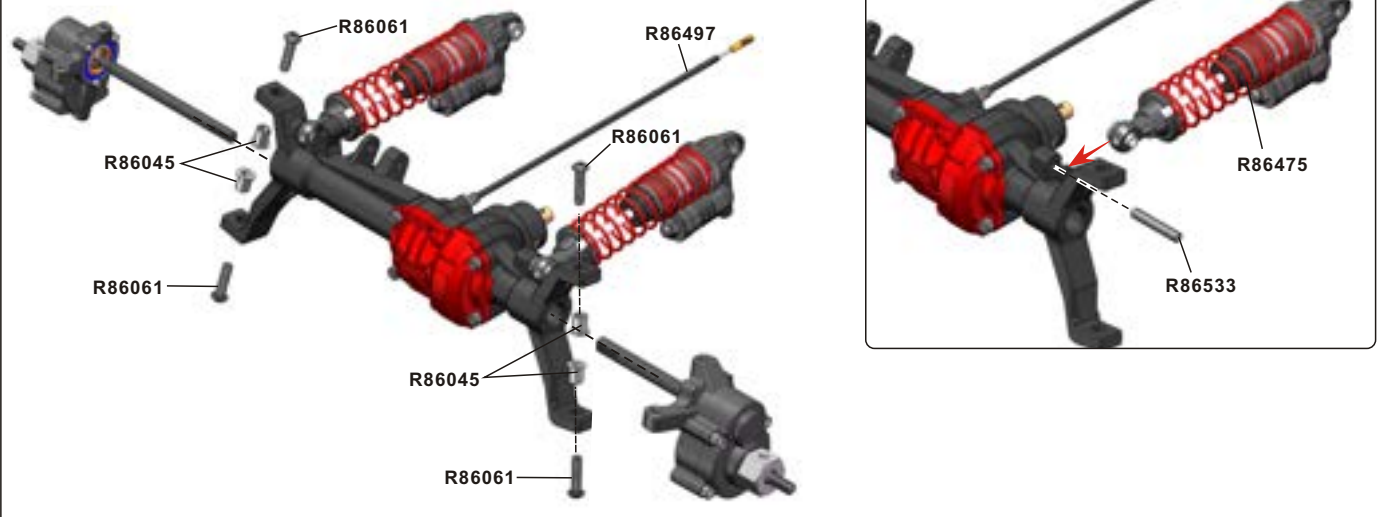


**Front Gear Transmission (Left)**

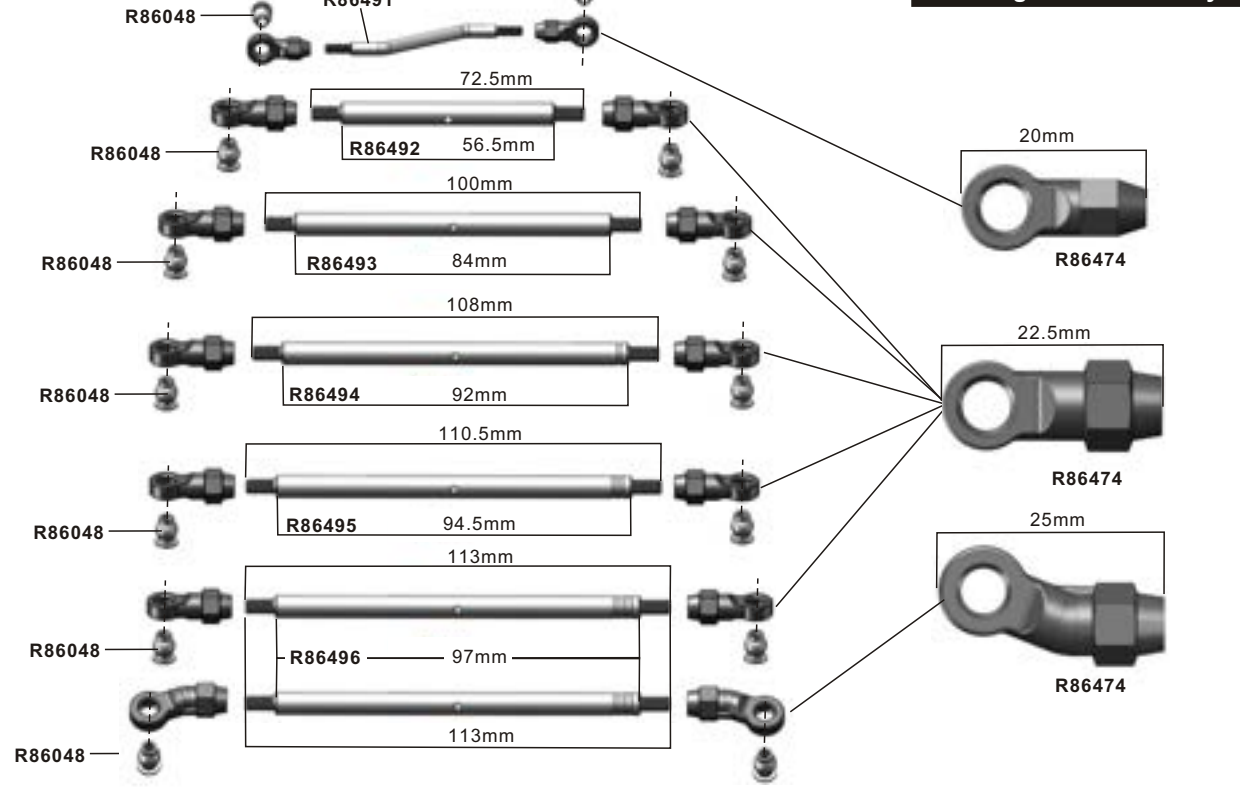
**Shock Absorber Assembly**



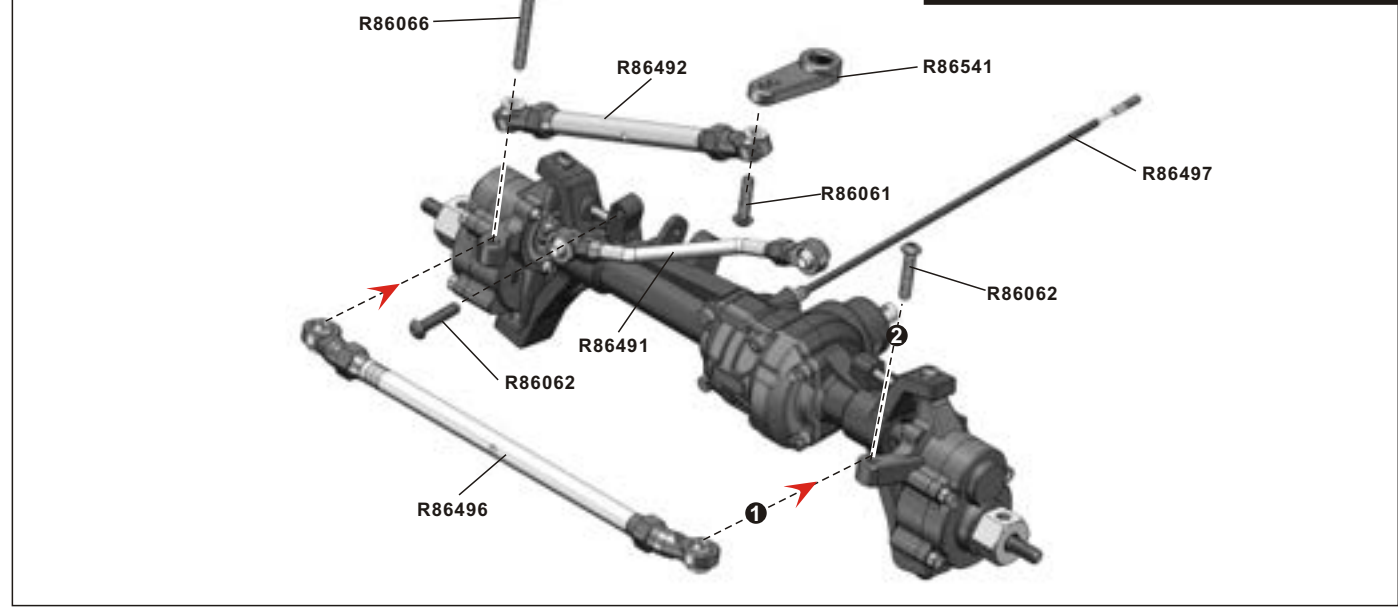
**Front Axle Assembly**



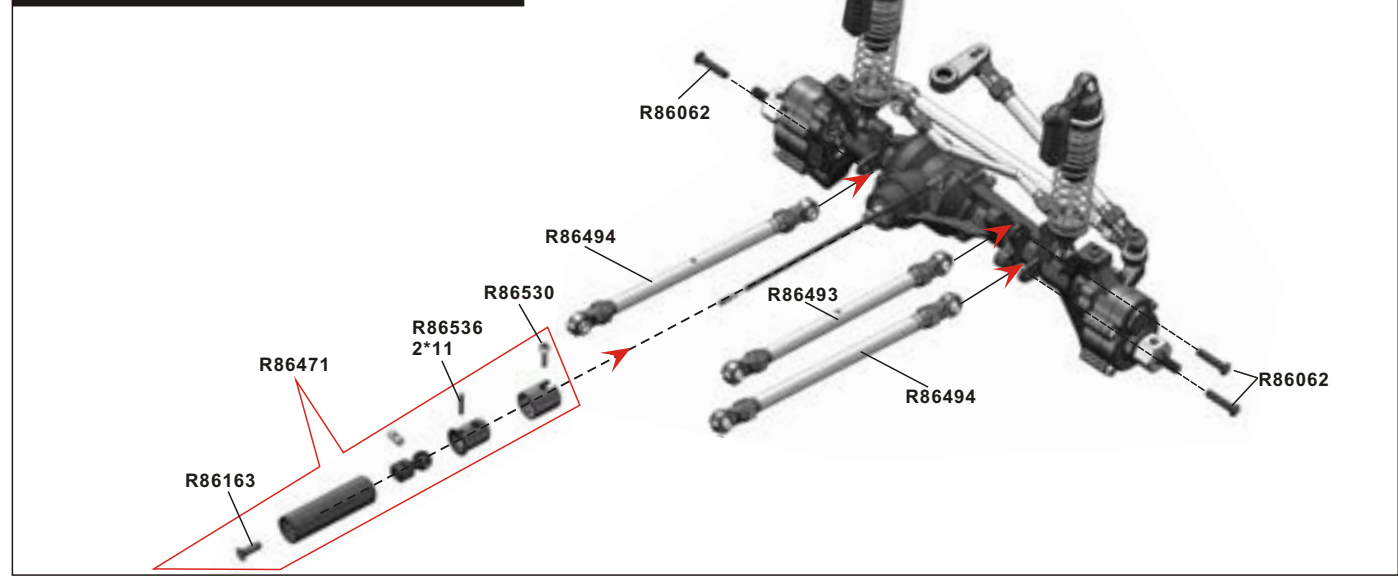
**Linkage Bar Assembly**



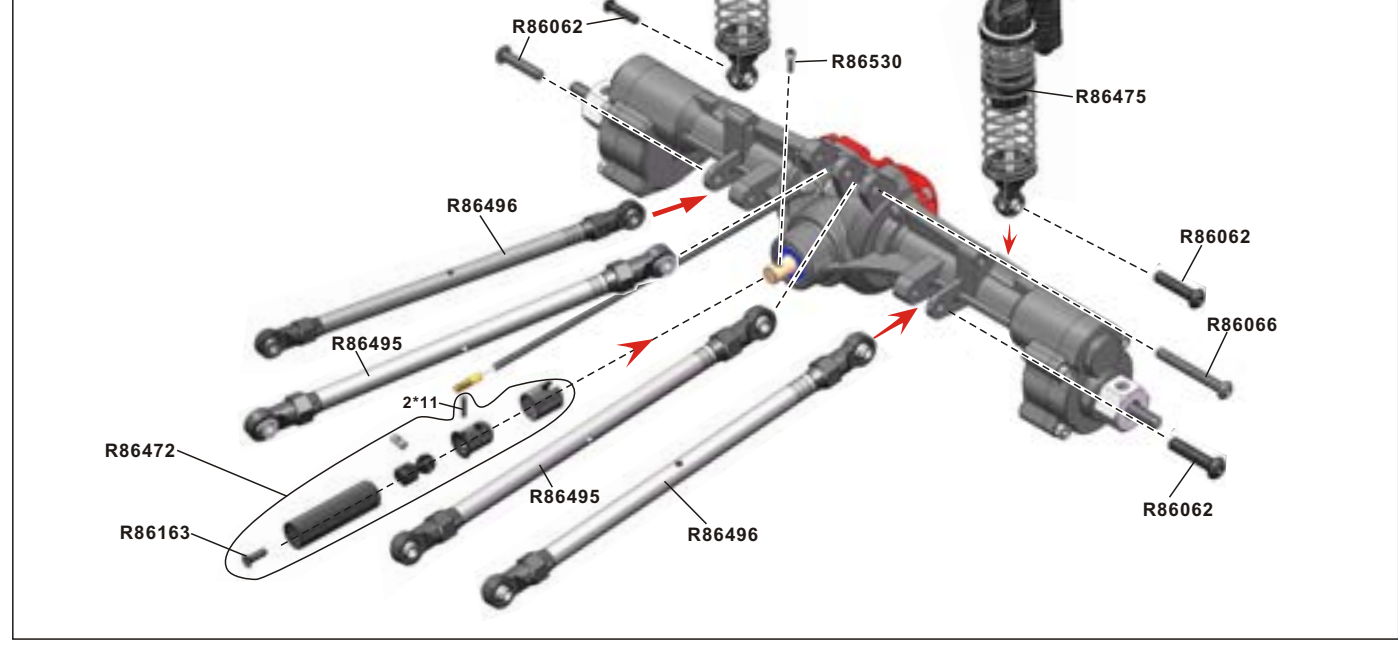
**Front Steering Linkage Installation**

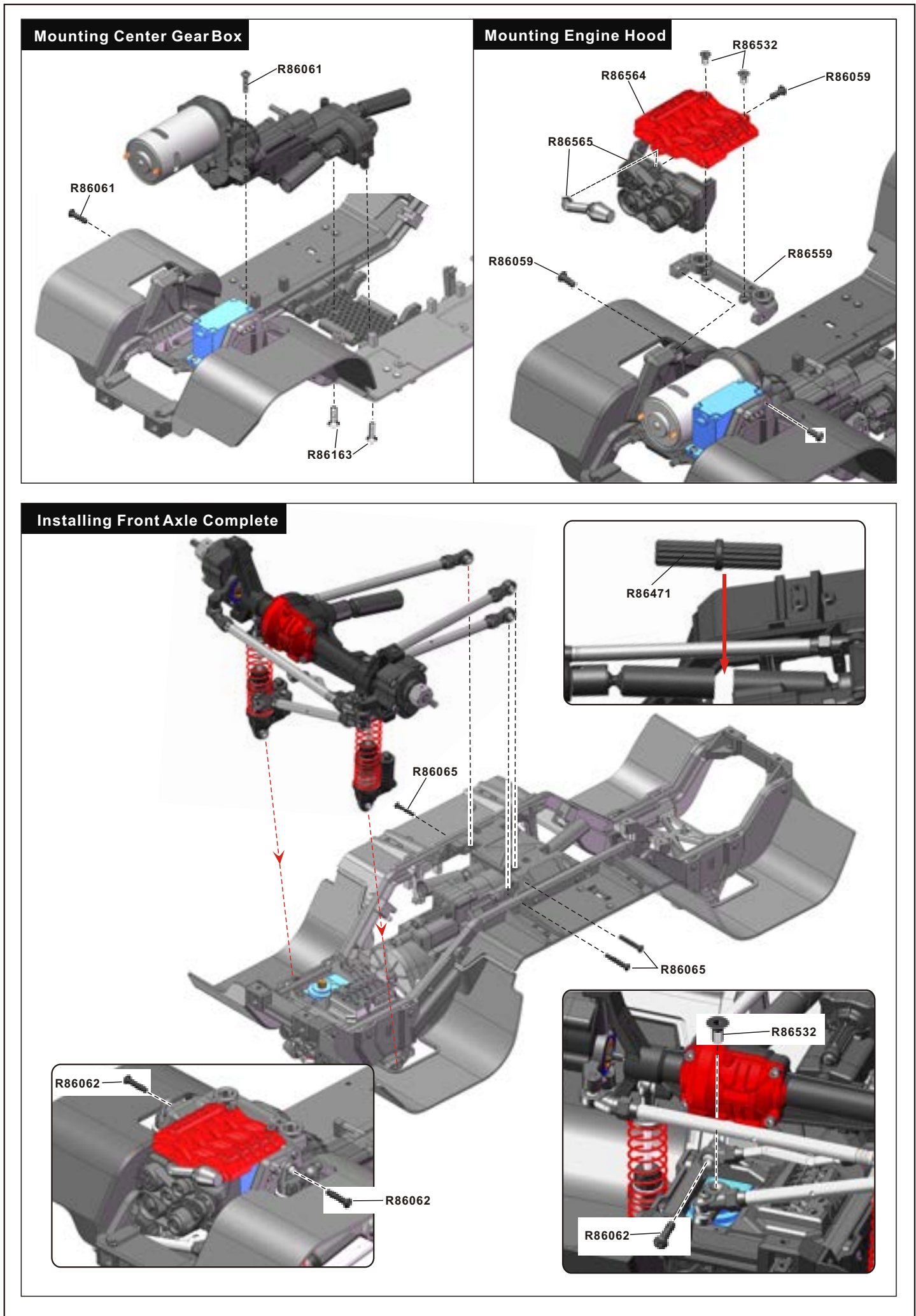
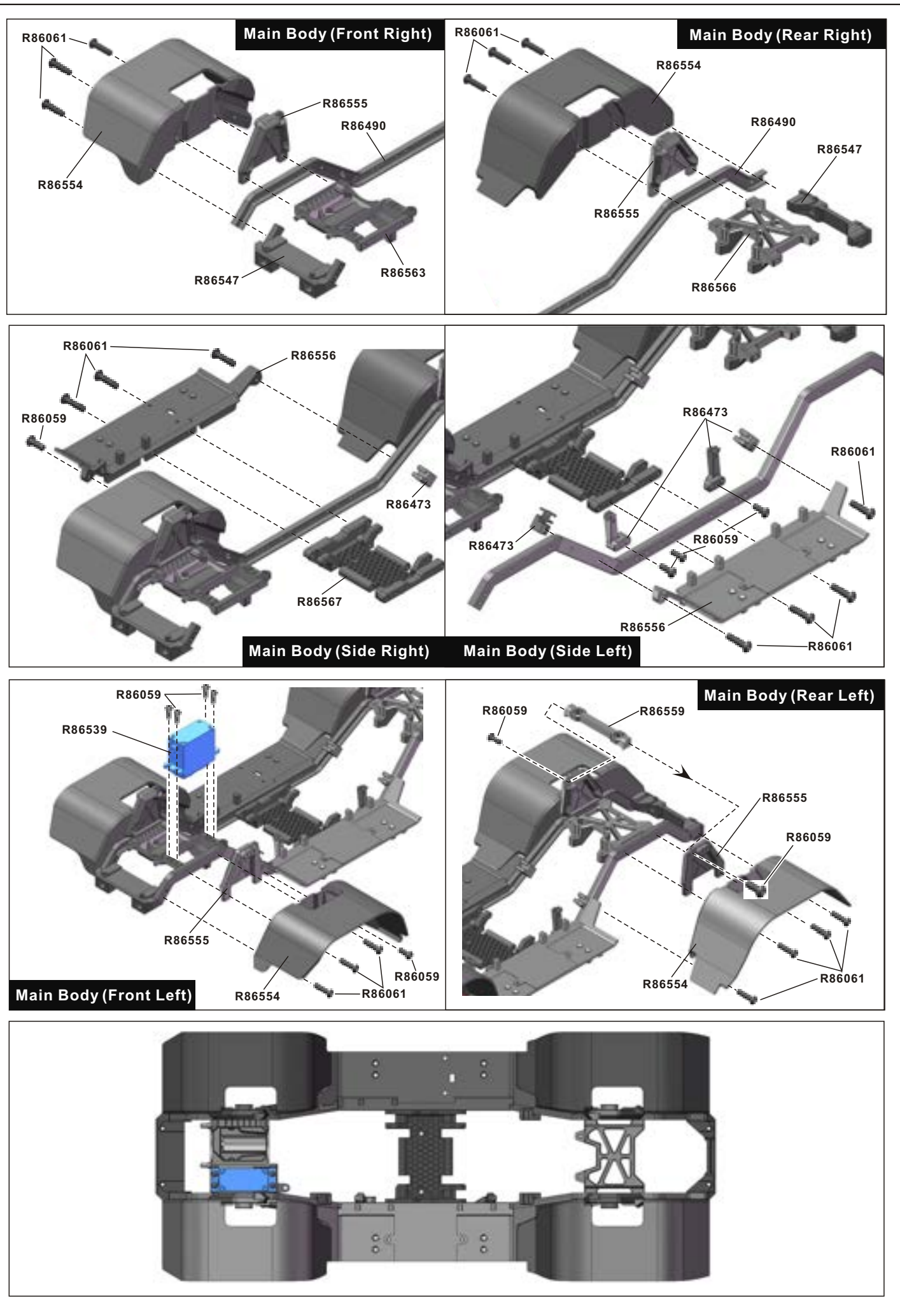


**Front Suspension Linkage Installation**

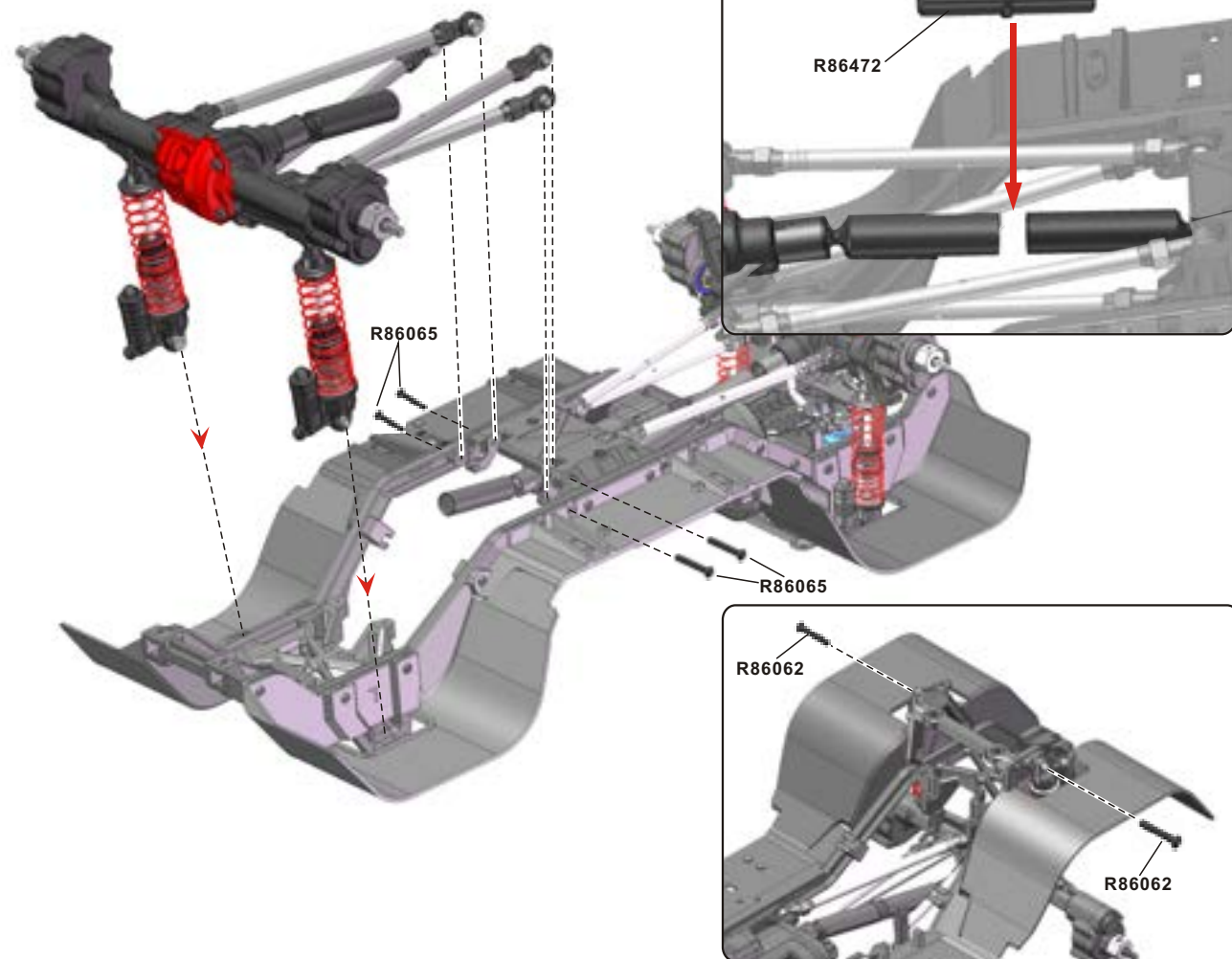


**Rear Suspension Linkage Installation**

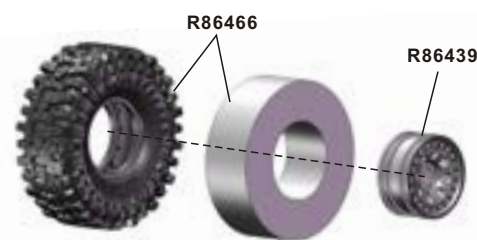




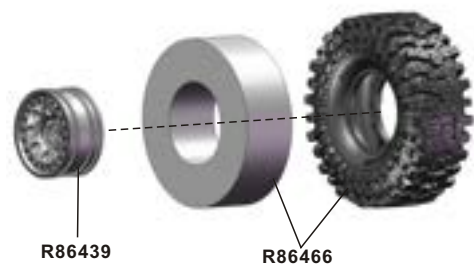
**Installing Reer Axle Complete**



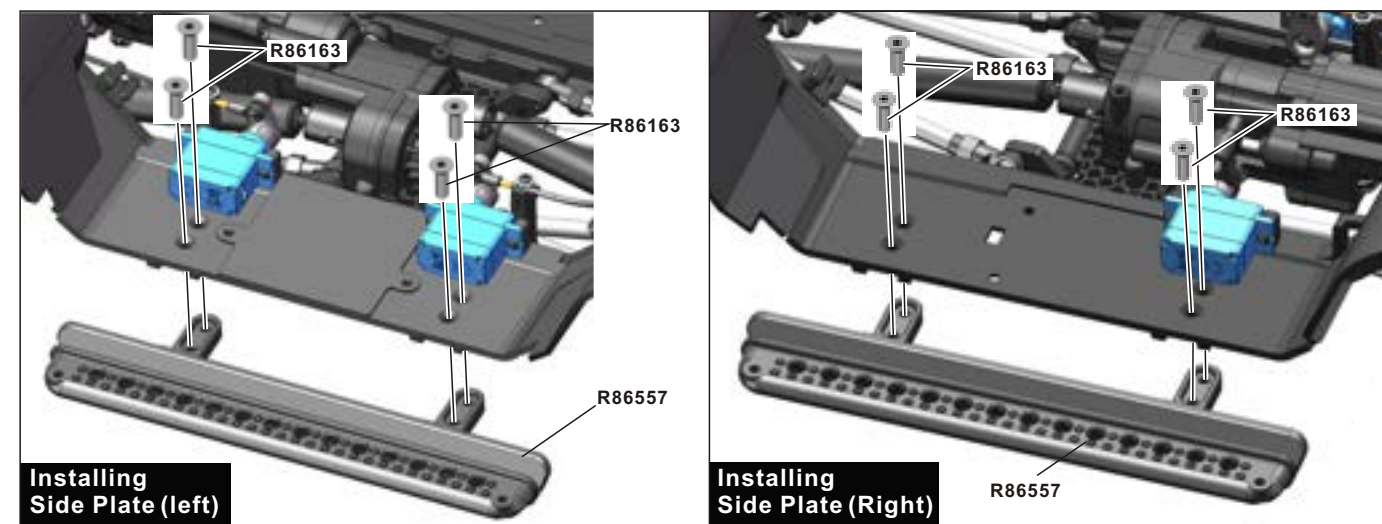
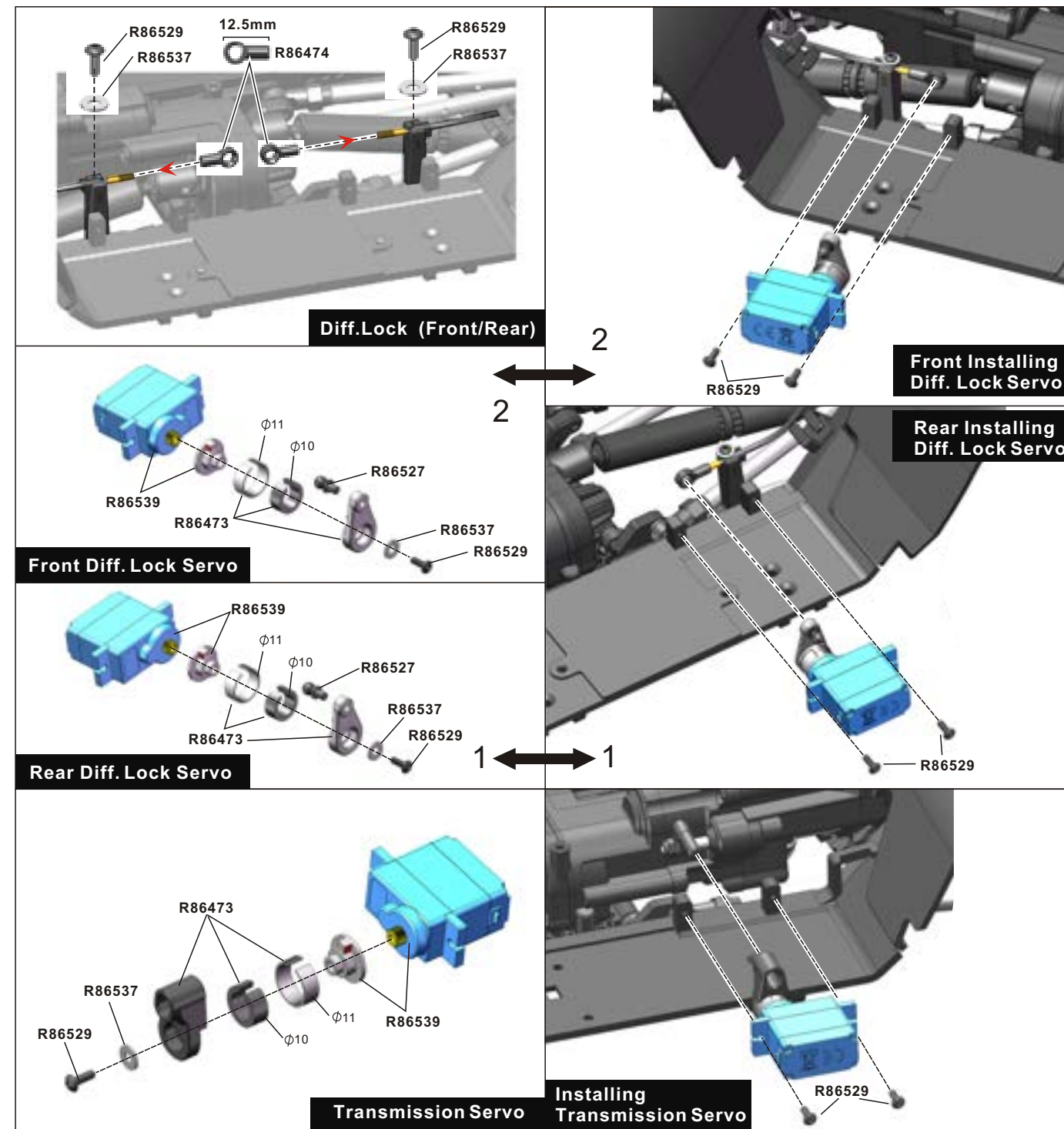
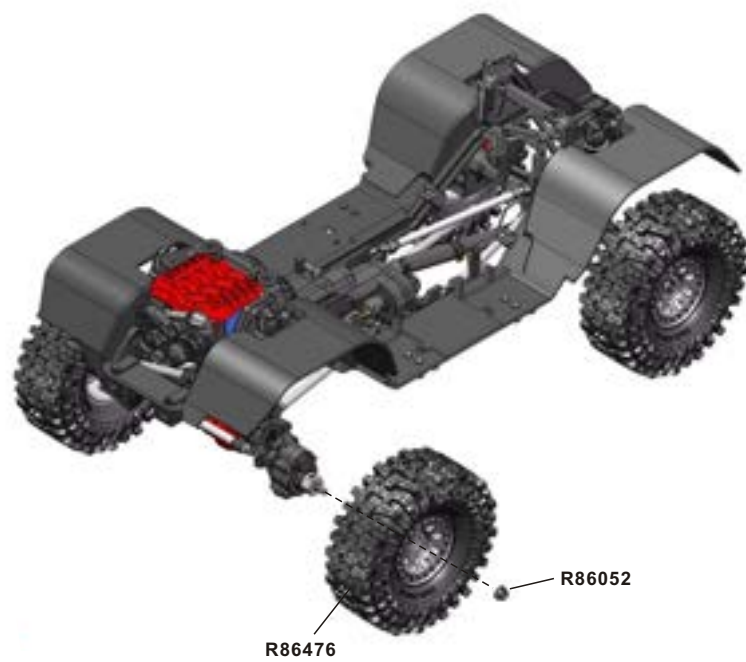
(Left)



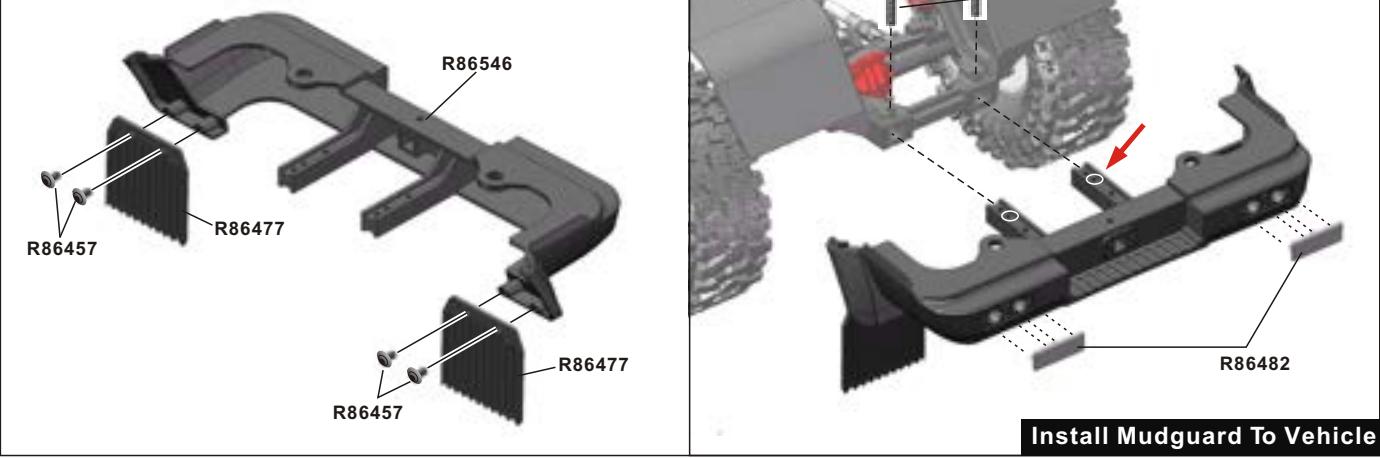
(Right)



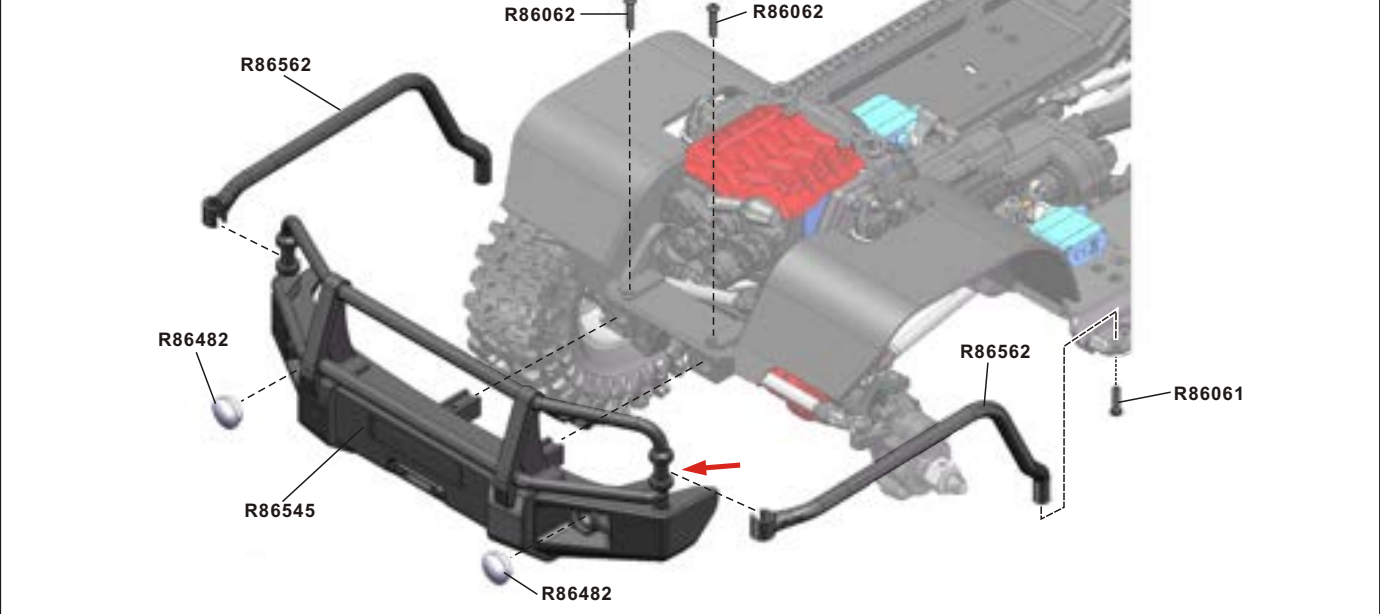
**Installing Wheel CompletTo Vehicle**



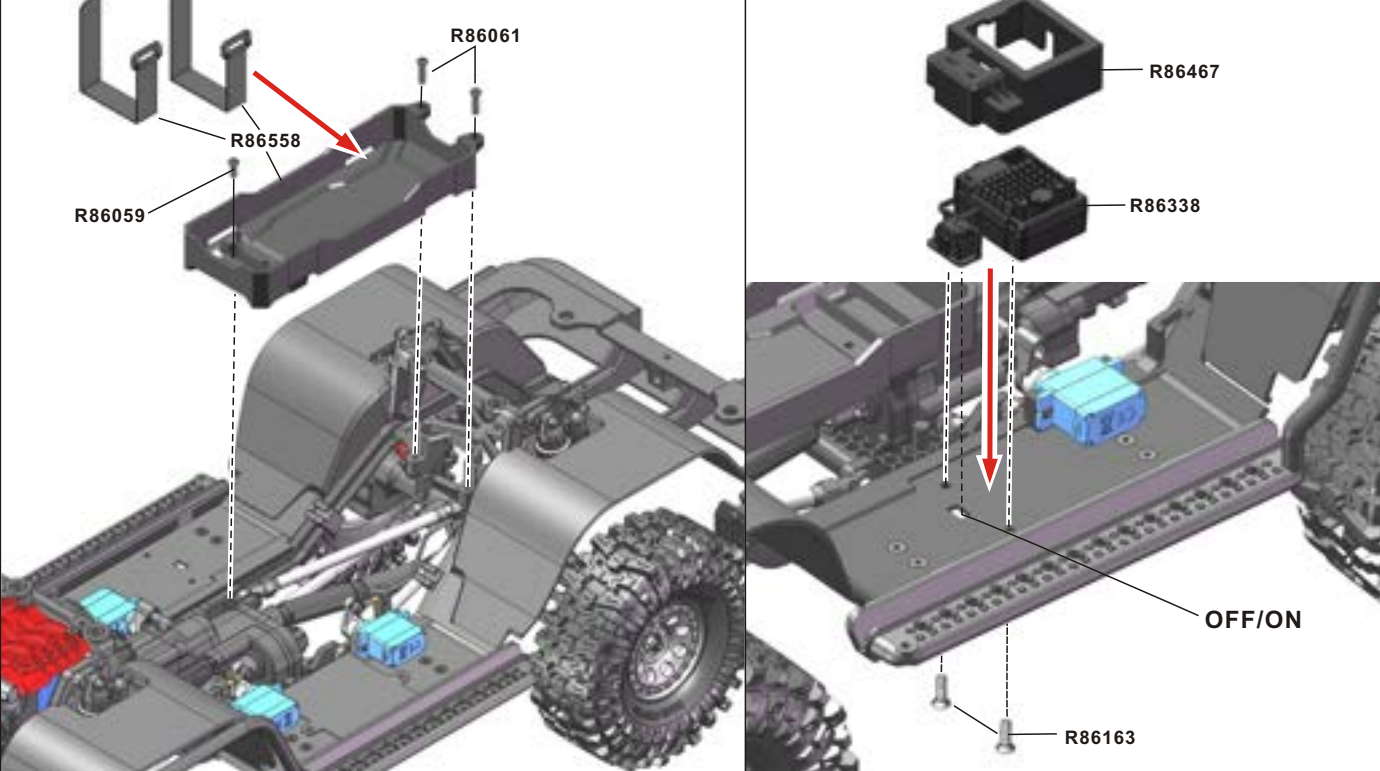
**Mudguard Assembly**



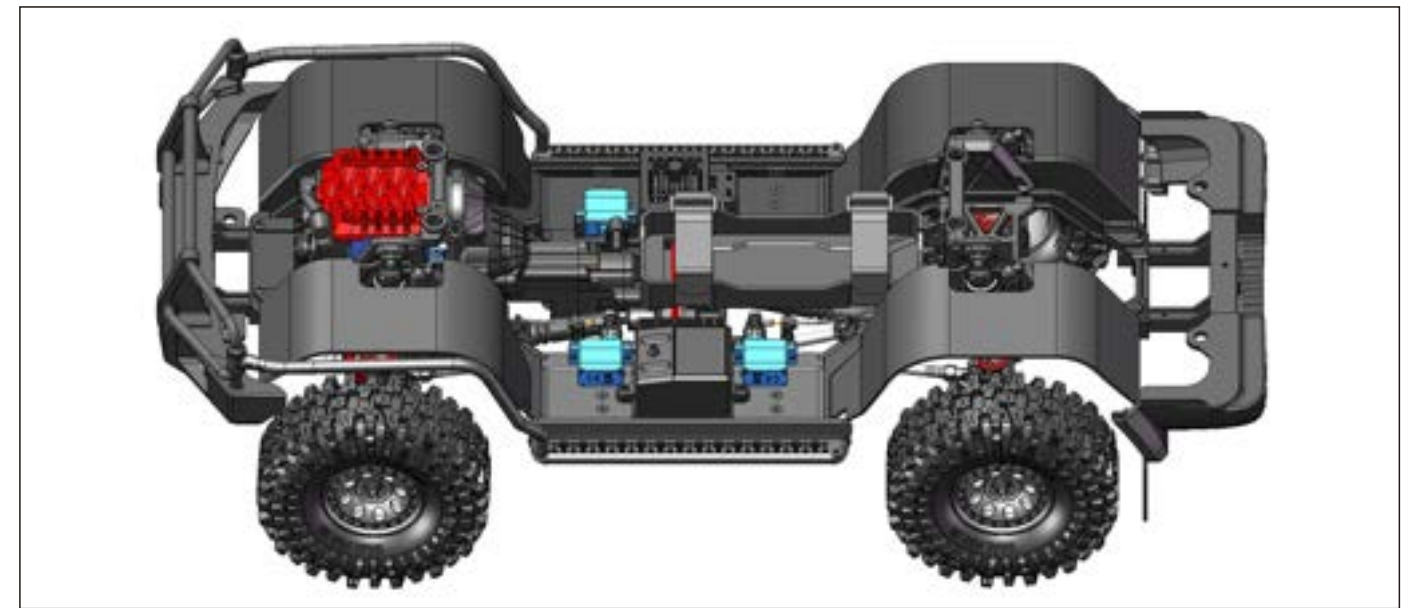
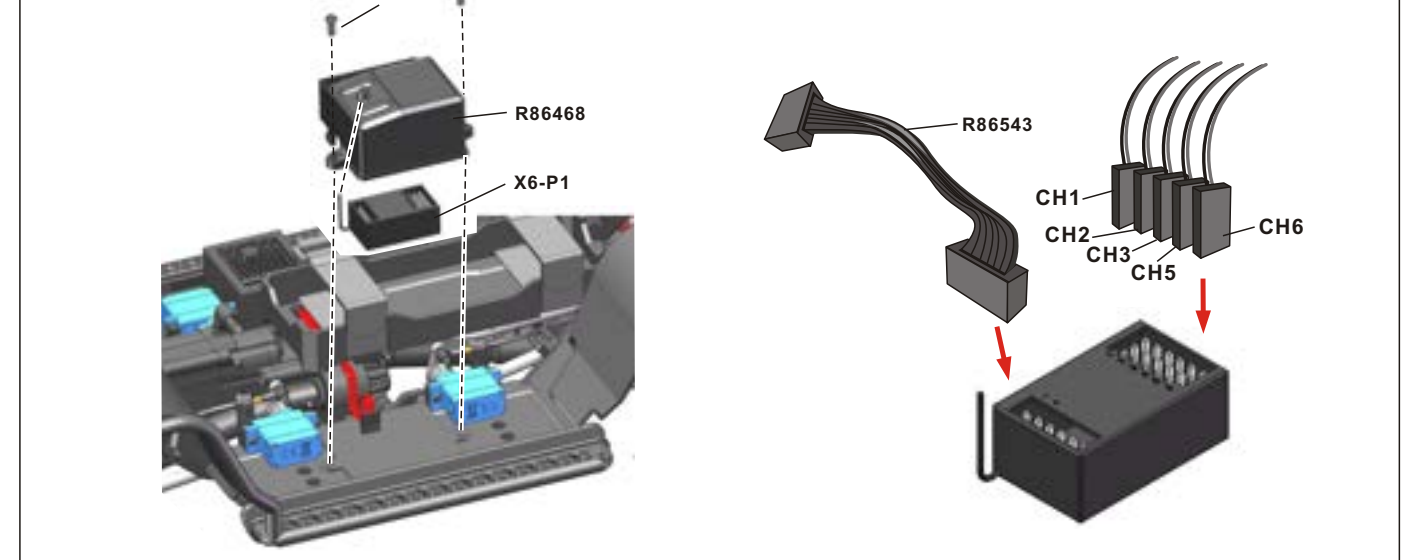
**Front Bumper Assembly**



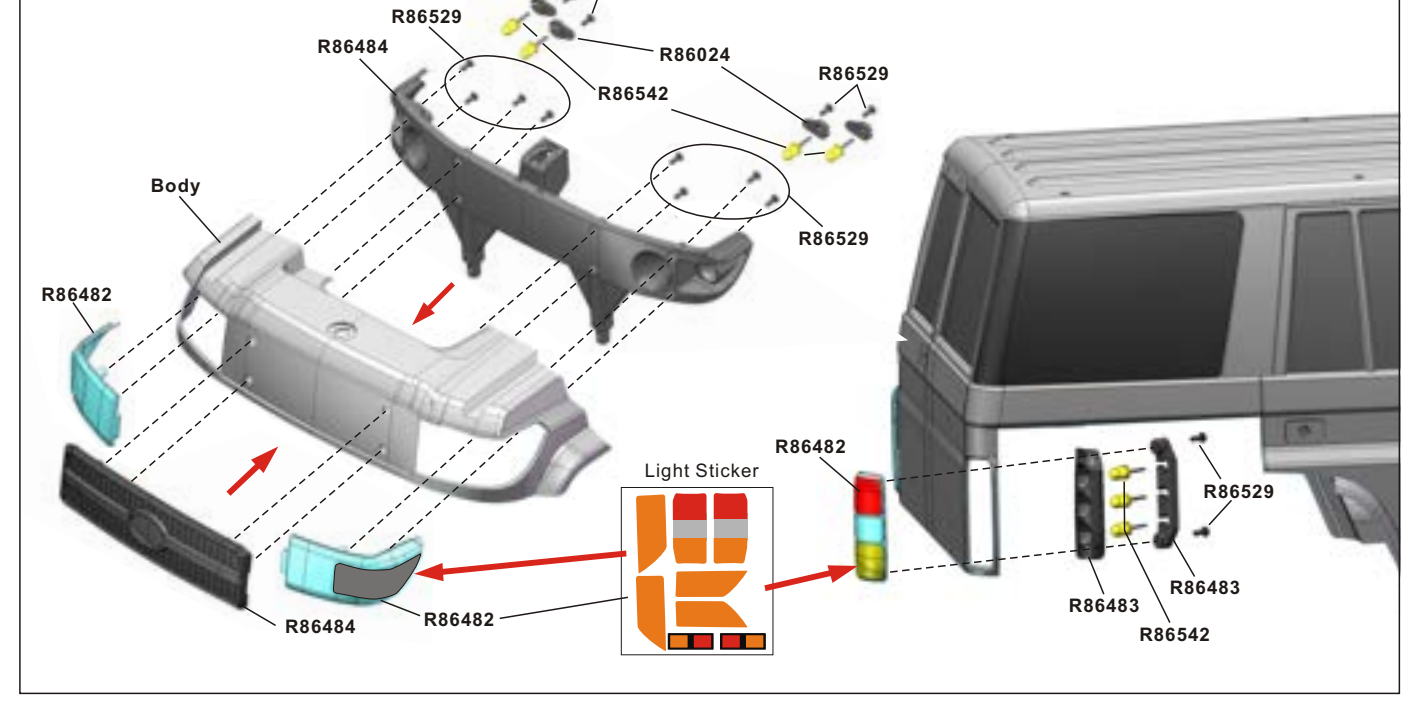
**Installing Battery Holder Installing ESC**



**Installing Receiver**



**Headlight/Taillight Installation**







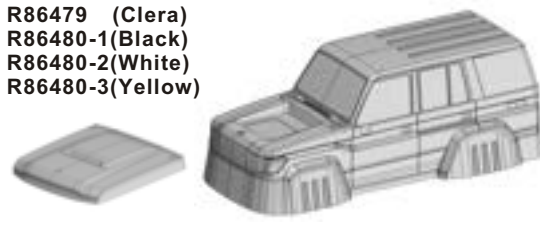









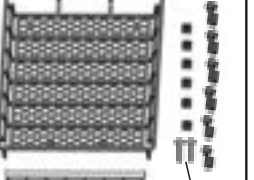




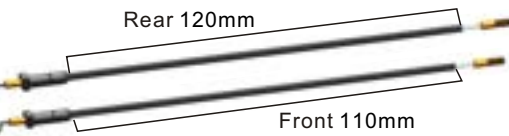












**Spare Part**

<b>R86545</b>	<b>R86546</b>	<b>R86547</b>	<b>R86548</b>	<b>R86549</b>
				
Front Bumper	Rear Bumper	Bumper Mount	Front Housing	Rear Housing
<b>R86550</b>	<b>R86551</b>	<b>R86552</b>	<b>R86553</b>	<b>R86554</b>
				
Steering HubCarriers	Transmission HousingLid	Front Gear BoxLid	Rear Gear BoxLid	Baffle A(L/R)
<b>R86555</b>	<b>R86556</b>	<b>R86557</b>	<b>R86558</b>	<b>R86559</b>
				
Shock Plate(L/R)	Baffle B(L/R)	Foot Pedal	Battery Tray	Body Mount (F/R)
<b>R86560</b>	<b>R86561</b>	<b>R86562</b>		
				
Transmission Box A	Transmission Box B	Bumper		
<b>R86563</b>	<b>R86564</b>	<b>R86565</b>	<b>R86566</b>	<b>R86567</b>
				
Servo Mount	Motor Cover Upper	Motor Cover Front	Caster Mount	Chassis Mount
<b>R86467</b>	<b>R86468</b>	<b>R86469</b>	<b>R86470</b>	<b>R86471</b>
				
ESC Mount	Receiver Box	Lock Diff Button	Differential Box	Front Driveshaft
<b>R86472</b>	<b>R86473</b>	<b>R86474</b>		
				
Rear Driveshaft	Dig Servo Parts	Link Ends		

**Spare Part**

<b>R86475</b>	<b>R86439</b>	<b>R86466</b>	<b>R86476</b>	<b>R86477</b>
				
Shock Absorbers	Wheel Rim	Tire W/Foam	Wheel Complete L/R	Rear Fender
<b>R86478</b>	<b>PC Body+Sticker</b>		<b>Pre-Assembled PC Body</b>	
				
PC Body Hood(Clear)	R86479 (Clear) R86480-1(Black) R86480-2(White) R86480-3(Yellow)		P86480-1(Black) P86480-2(White) P86480-3(Yellow)	
<b>R86481</b>	<b>R86482</b>	<b>R86483</b>	<b>R86484</b>	
				
Body Assembled Part	Lamp-Chimney(Clear)	Lamp-Socket(Rear)	Air Grill / Lamp-Socket(Front)	
<b>R86485</b>	<b>R86486</b>	<b>R86487</b>	<b>R86488</b>	<b>R86489</b>
				
Rear Body Plate	Rear View Mirror	Hood Switch	Tank	Roof Rack
<b>R86490</b>		<b>R86491</b>	<b>R86492</b>	<b>R86493</b>
				
Chassis Rails		Panhard Bar Link	Link 72.5mm	Link 100mm
<b>R86497</b>		<b>R86494</b>	<b>R86495</b>	<b>R86496</b>
				
Front/Rear Lock Diff Line		Link 108mm	Link 110.5mm	Link 113mm
<b>R86498</b>	<b>R86499</b>	<b>R86500</b>	<b>R86501</b>	<b>R86502</b>
				
Diff Main Gear(40T)	Drive Gear(16T)	Diff Bevel Gear Set	Transmission Gear(9T)	Transmission Gear(6T)

Spare Part

<b>R86503</b>  Transmission Gear(20T)	<b>R86504</b>  Transmission Gear(17T)	<b>R86505</b>  Transmission Gear(13T)	<b>R86506</b>  Transmission Slider	<b>R86507</b>  Gear Stick
<b>R86508</b>  Pinion Gear(17T)	<b>R86509</b>  CVD Drive shaft	<b>R86510</b>  Rear shaft	<b>R86511</b>  Driveshaft	<b>R86512</b>  Gear Shaft 1
<b>R86513</b>  Crown Gear (64T)	<b>R86187</b>  Sping	<b>R86514</b>  Slipper Spacer/Plate	<b>R86515</b>  Differential Lock	<b>R86516</b>  Gear Shaft 2
<b>R86517</b>  Gear Shaft 3	<b>R86518</b>  Gear Shaft 4	<b>R86519</b>  Gear Shaft 5	<b>R86520</b>  Ball Bearingφ15*φ21*4	<b>R86521</b>  Ball Bearingφ12*φ18*4
<b>R86522</b>  Ball Bearingφ10*φ15*4	<b>R86523</b>  Ball Bearingφ7*φ14*4	<b>R86524</b>  Ball Bearingφ7*φ11*3	<b>R86525</b>  Ball Bearingφ5*φ11*4	<b>R86526</b>  Ball Bearingφ4*φ8*3
<b>R86045</b>  King Pin Bushing	<b>R86527</b>  Ball Stand φ4mm	<b>R86048</b>  Ball Stand φ5.9mm	<b>R86052</b>  Flange M4 Lock Nut	<b>R86528</b>  Nylon Nut M2.5
<b>R86379</b>  Button Head 2*4mm	<b>R86058</b>  Button Head 3*6mm	<b>R86059</b>  Button Head 3*8mm	<b>R86060</b>  Button Head 3*10mm	<b>R86061</b>  Button Head 3*12mm

Spare Part

<b>R86062</b>  Button Head 3*14mm	<b>R86065</b>  Button Head 3*20mm	<b>R86066</b>  Button Head 3*25mm	<b>R86529</b>  Button Head Self-tapping 2*6mm	<b>R86530</b>  Step Screws 4*11.5mm
<b>R86071</b>  Cap Head 2.5*8mm	<b>R86531</b>  Cap Head Self-tapping 2*8mm	<b>R86532</b>  Flat Head 3*6mm	<b>R86072</b>  Flat Head 2.5*10mm	<b>R86163</b>  Flat Head 3*10mm
<b>R86533</b>  Crub Screw Bolt3*18mm	<b>R86568</b>  Shock Shaft	<b>R86534</b>  O Ring2.8*1.9mm*8P O Ring2.8*2.0mm*8P O Ring10*1mm*4P	<b>R86535</b>  E-Clips - φ 2.5mm*6P E-Clips - φ 4mm*6P	<b>R86536</b>  Pin -2*10mm*6P Pin -2*11mm*6P Pin -2*12mm*6P
<b>R86537</b>  Metal Washer φ2.6*φ6*0.5	<b>R86569</b>  Wheel Hex	<b>R86539</b>  Dig Servo 9G	<b>R86540</b>  Steering Servo 25KG	<b>R86541</b>  Servo Horn(25T)
<b>R86538</b>  Motor-550/8020	<b>X6-P1</b>  Radio/Receiver X6P1-R	<b>R86542</b>  Light Control Box X6P1-C		<b>R86543</b>  Receiver Wire
<b>02053</b>  Body Clip	<b>R86024</b>  Light Clip 2*6	<b>R86338</b>  ESC -60A	<b>R86457</b>  Flange Head Screws3*8	

## Upgradable Optionals

<b>Upgradable Optionals</b>				
<b>R86366</b>		<b>R86544</b>		<b>P860079</b>
PVC Rain Shield		Adjustable LED Lamp		
<b>P860077</b>		<b>P860065</b>	<b>P860066</b>	<b>P860094</b>
Adjustable LED Lamp		Wheel (AL.)	Wheel (AL.)	Copper Wheel Weight Set 128g
<b>P860086</b>	<b>P860087</b>	<b>P860088</b>	<b>P860089</b>	<b>P860090</b>
(AL.)	(COPPER)	(AL.)	(AL.)	(AL.)
Steering HubCarriers	Transmission HousingLid	Shock Plate(L/R)	Chassis Mount	Differential Box
<b>P860091</b>	<b>P860092</b>	<b>P860093</b>	<b>R86570</b>	<b>R86571</b>
(COPPER)	(COPPER)	(AL.)		
Front Gear BoxLid	Rear Gear BoxLid	Motor Mount	Wheel Rim (Black)	Crawler Battery (7.4V6200mAh/Plug:T)



### PRODUCT QUALIFICATION CERTIFICATION

The product has conducted IQC (Input Quality Control) and full inspection before delivery. The manufacturer is responsible for quality assurance. Remote Control model is assembled manually, and then there may have some defects in the production process. Once the product is modified or incorrect operation, it cannot apply for replacement and return services, for the parts and accessories may be damaged. Please contact the retail seller for after-sales service when needed.

The product conforms to technical requirements of export safety regulations.

Factory Address: Huang Jiang Town, Dong Guan City, Guang Dong Province, China  
Website: [www.RGT-RACING.Com](http://www.RGT-RACING.Com)

Production Date: refer to packing instruction