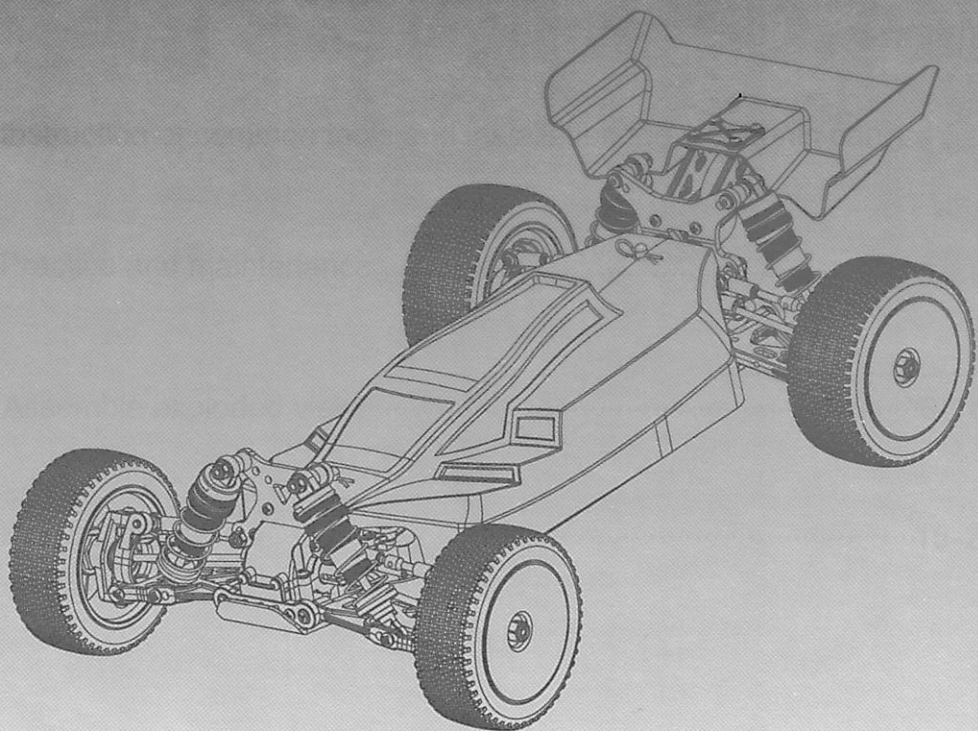


# 1:12 Electric 4WD Climbing car



Caution: This model is not a toy, it is designed for users over 14 years of age.

Please use this instruction and the R/C system instruction at the same time.

The instruction is suitable for a type of model whose number is 124007

Safety and caution ..... 1

Troubleshooting • Product introduction .....2-3

Instruction of common tools and installation the electronic part... 4

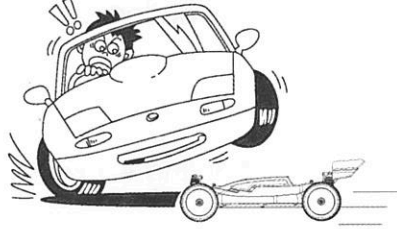
Practice and maintenance.....5

Assemble exploded view .....6-14

Fittings view .....15-20

## Safety and Cautions

- \*Never run the model on public roads or streets, as it could endanger traffic.
- \*Never run the model in crowded areas, near or toward people or animals, to prevent property damage and/or personal injury.
- \*Never run the model near rivers, ponds or lakes as to prevent R/C car from dropping into the water.
- \*Make sure that no one else is using the same frequency as yours in your running area. Using the same frequency at the same time, whether it is driving, flying or sailing, can cause loss of control with R/C model, resulting in serious accidents.
- \*To avoid a runaway R/C model or loss of control, always follow the procedure below:
  1. Fully extend transmitter antenna.
  2. Switch on transmitter.
  3. Switch on R/C model.
- \*Follow reverse procedure to shut down.
- \*Never touch or hinder rotating tire.
- \*Never run R/C model in the rain or let run over puddles, as water may cause trouble with R/C model.
- \*Motor and battery get very hot after running. Take care when handle them.
- \*Retract transmitter antenna when not in use.
- \*Remove the batteries from model and transmitter when they are not in use.




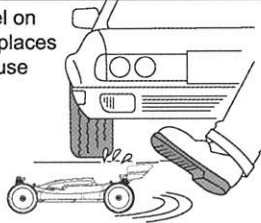
## Cautions when handling batteries

- \*Do not dismantle the battery or charger and do not cut any battery cables. This may cause short-circuit and/or damage to the product.
- \*Change battery with compatible charger following proper procedure that is called out in the instructions. Do not modify charger or charge battery in improper way.
- \*Do not recharge battery that is still warm from use as it may damage the battery. Allow the battery to cool off prior to recharging.
- \*Make sure to disconnect charger cables from R/C model and electric outlet when not in use.
- \*Remove transmitter battery when not using it for a long time as it may leak and damage transmitter when left for a long period.
- \*Never incinerate used batteries, as they can explode causing serious accidents.





## Safety precautions



Do not operate the model on public roads, in crowded places or near infants, it may cause accidents or injury.



As the product includes small and sharp parts, assemble and store this product only in places out of the reach of children.

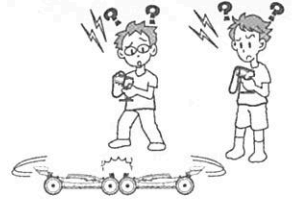
As the front end of the antenna may be dangerous, do not aim it toward faces.

During the car running and after, the motor will be hot. Please do not touch it until it has had time to cool down.

Don't use the same frequency with others at the same time. Or the car will lose control or even lead to serious accidents.



## Troubleshooting

Description	Cause	Solution
The car does not operate at all.	Transmitter or receiver is off.	Turn on both transmitter and receiver.
	Batteries are not placed properly in the transmitter.	Place batteries in the transmitter properly.
	The drive battery is not charged enough.	Charge the drive battery.
The car does not follow your operation and control distance not enough long.	Someone else is using the same radio frequency as you are using.	Charge your radio frequency to the one no one else is using, wait until the driver using the same radio frequency finishes driving, or drive your car at a different place.
	There is not enough power in the transmitter or receiver batteries.	Replace the transmitter batteries with new ones and charge the drive battery.
	Not tighten antenna on the transmitter/not fully extend antenna.	Make sure insert antenna into the transmitter and fully extend antenna.

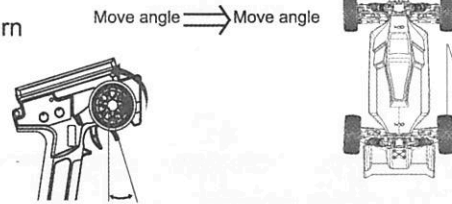


## CAUTION

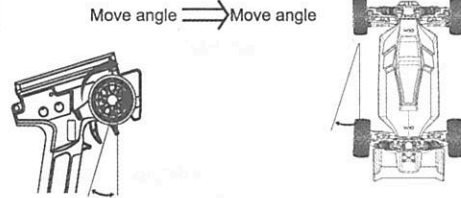
- \* Please observe the operation manual or packing explanation to install and use, and some parts should be installed by adults.
- \* The product contains small part, it may cause swallow or choke.
- \* Never run an R/C model in the seep or rain, moisture areas, or it may cause the parts malfunction.
- \* Please throw the wrapper in time to avoid danger for the children.
- \* Regularly examine for damage to the charge, wire, plug, bodyshell or other parts. In the event of any damage, it must not be used until the damage has been repaired.
- \* The charge, battery box and battery must insert with the appointed power source of product symbol same.
- \* This product must only be used with the original collocation charger.
- \* The product is contains the functional outshoots are may be dangerous to the children.

## Proportional R/C Using Instruction

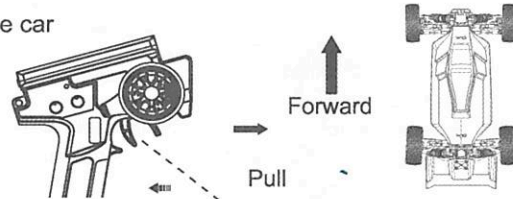
- ① Turn left the steering wheel, the car will turn left. Turning left angle can be adjusted by the degree of wheel twisting.



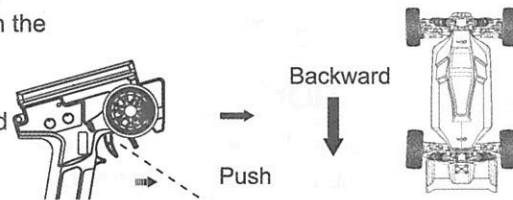
- ② Turn right the steering wheel, the car will turn right. Turning right angle can be adjusted by the degree of wheel twisting.



- ③ Pull the throttle trigger backward, the car will forward. Adjusting the angle of throttle trigger can adjust forward speed of the car. During the car forward, quickly push the trigger forward to stop it.

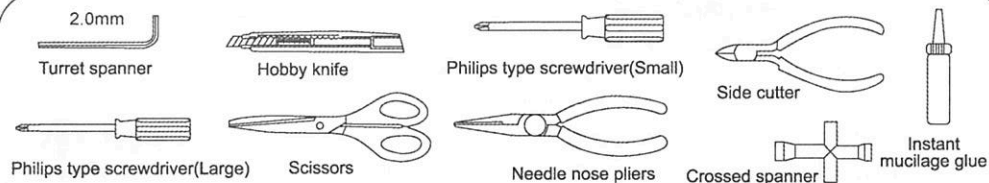


- ④ Loosen the trigger to make it return the neutral position when brake. Push the throttle trigger forward, the car will backward. Adjusting forward angle of throttle trigger adjust backward speed of the car.



## Introduce the common tools and assemble the electron parts

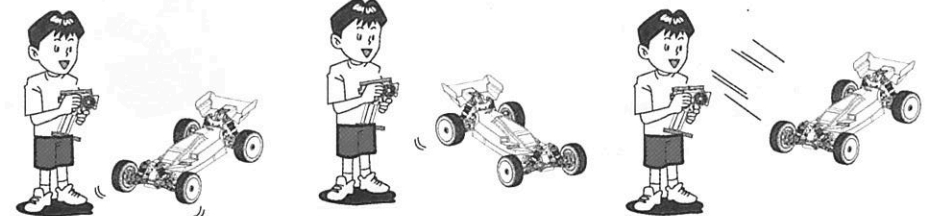
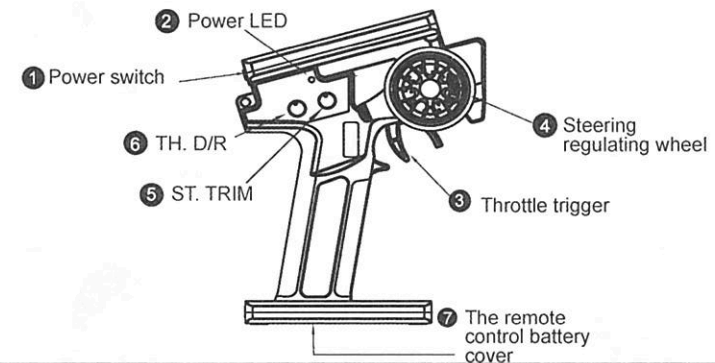
### Tools needed for assembly



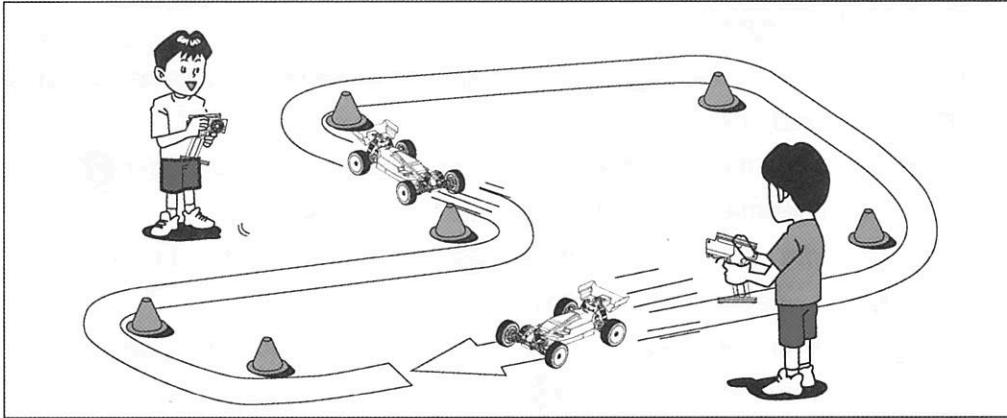
## PRACTICE AND MAINTENANCE

### Operating program

1. Turn on the power switch ① on the remote and make sure the power indicator ② flashes red, then turn on the model car's power switch.
2. The model car on the shelf, gently hook remote control on the trigger ③ to observe whether the car can move forward and backward.
3. Turn the remote control steering wheel ④ to the left or right and make sure that the front wheel's steering follows the command.
4. The model car on the ground, and standing behind the model car, gently hook the remote control throttle trigger ③, if the model car does not go straight, rotate the remote control front wheel trim ⑤, the model car to the right side, the front wheel Turn the trim to the left, the model car leans to the left, and the front wheel trims to the right to rotate until the model car can go straight.
5. Throttle speed adjustment ⑥ can adjust the model car speed, rotate to the right, hook the trigger model car speed becomes faster, turn left, hook the trigger model car speed becomes slower.
6. OK, ready to run.



## Practice



Let's practice! Make R/C car circuit at a wide and safe location using corner pylons (separately available), empty cans or such. Running fast at straight section and slow down at curved section is a basic speed control technique useful when driving R/C car.

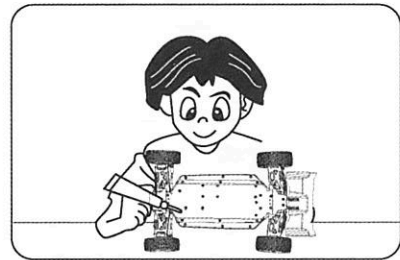
## Maintain



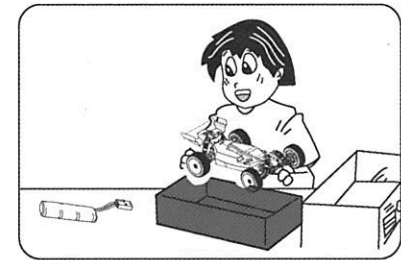
When the car is not in use, you should remove the battery from the car.



Completely remove sand, mud, dirt etc.

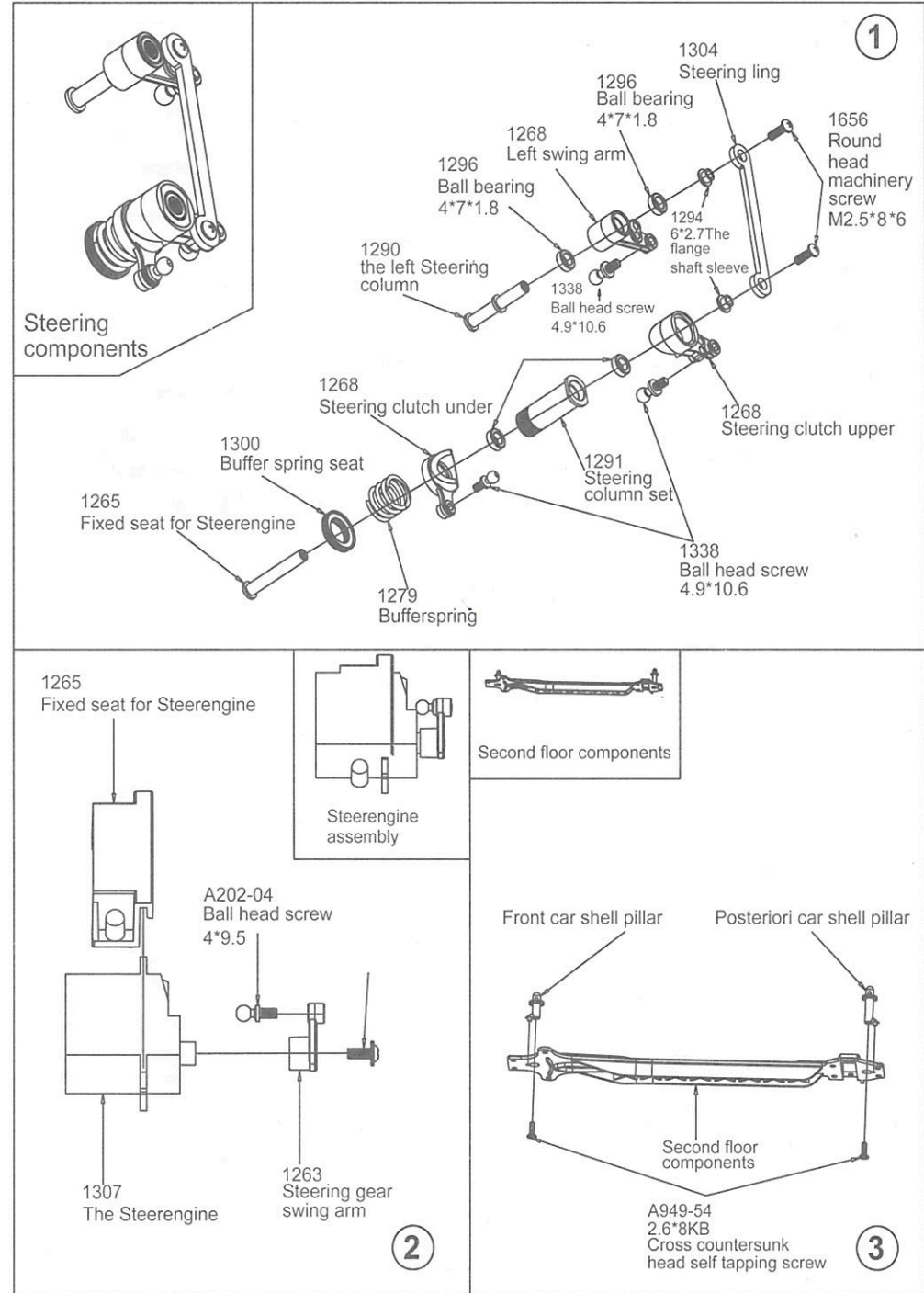


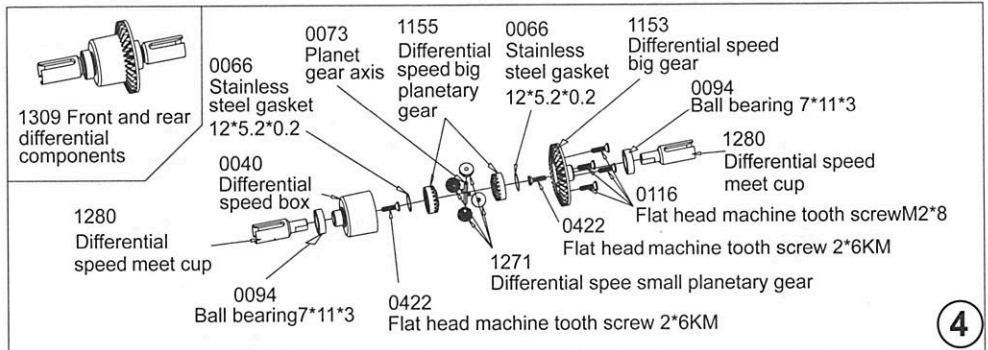
Metal outside should apply the rust prevention oil.



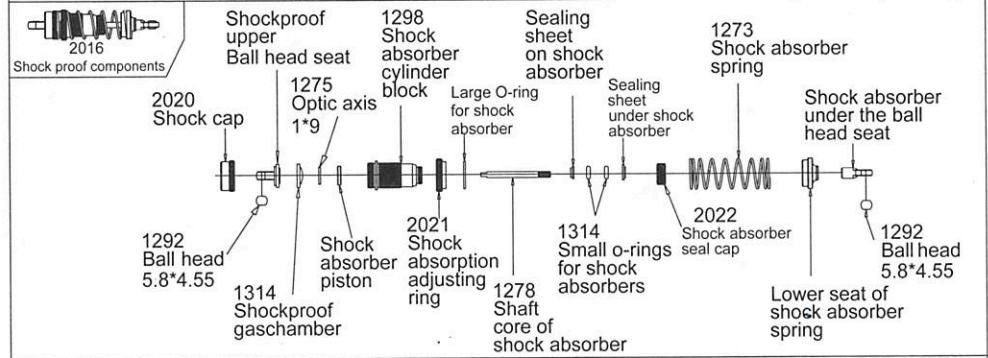
Store the car and batteries separately when not in use.

## Assembly Exploded Diagram

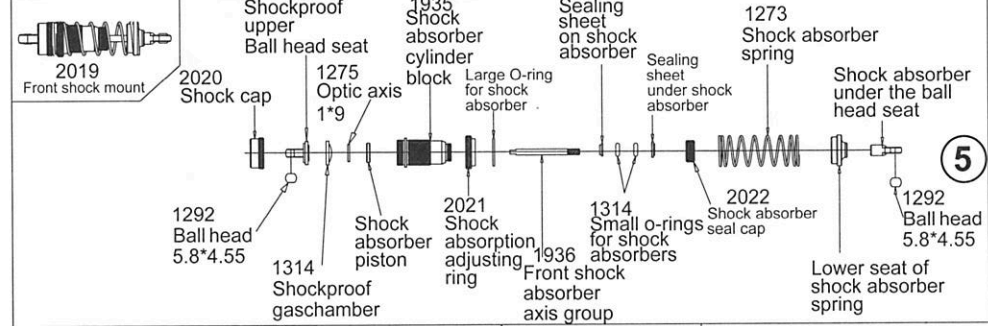




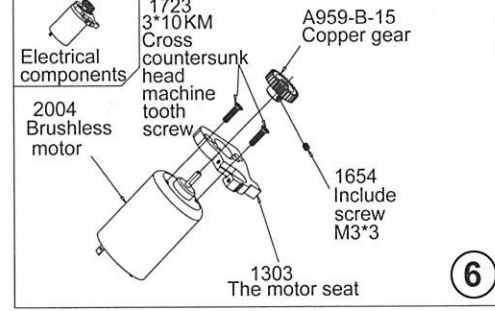
4



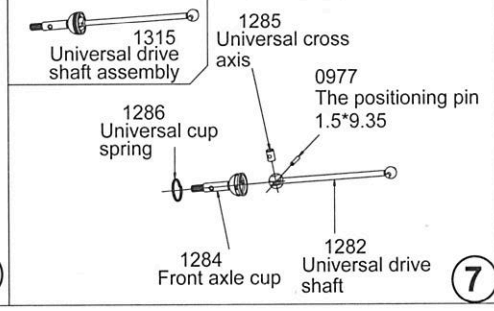
5



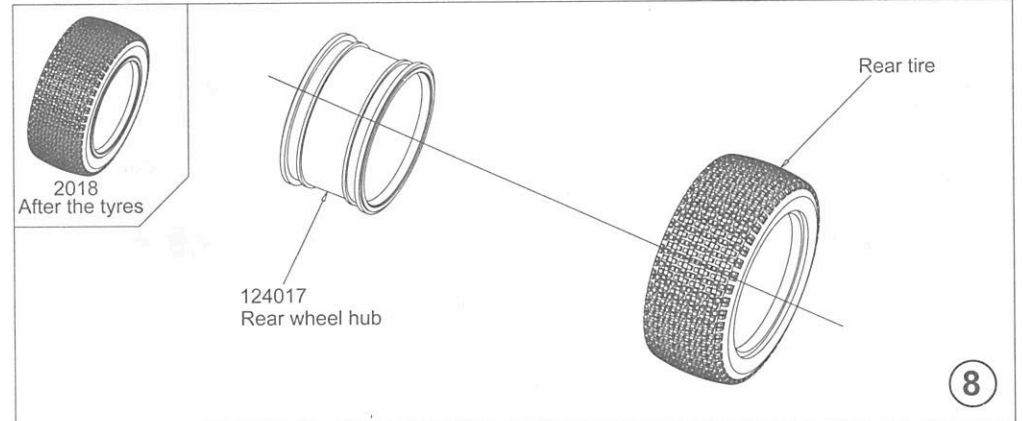
6



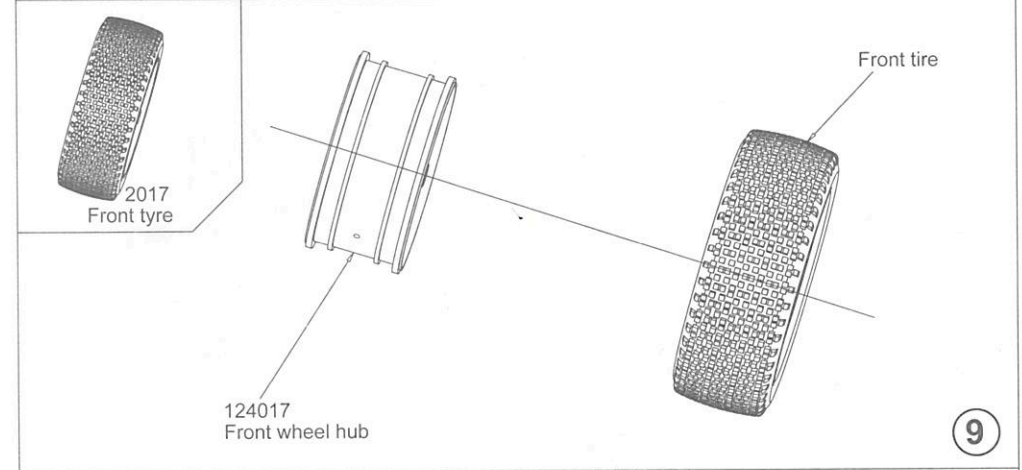
7



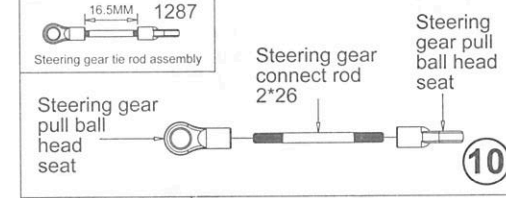
8



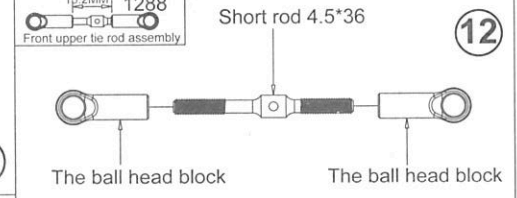
9



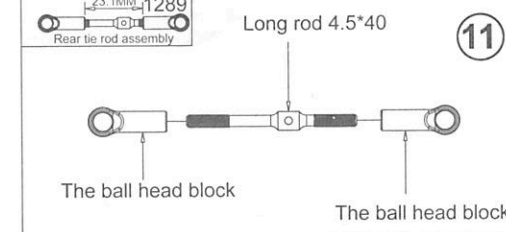
10



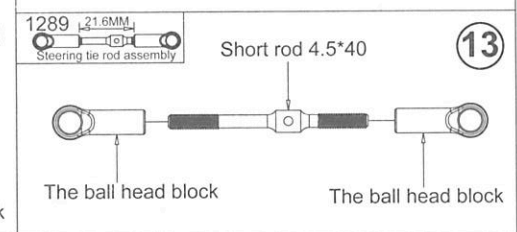
11



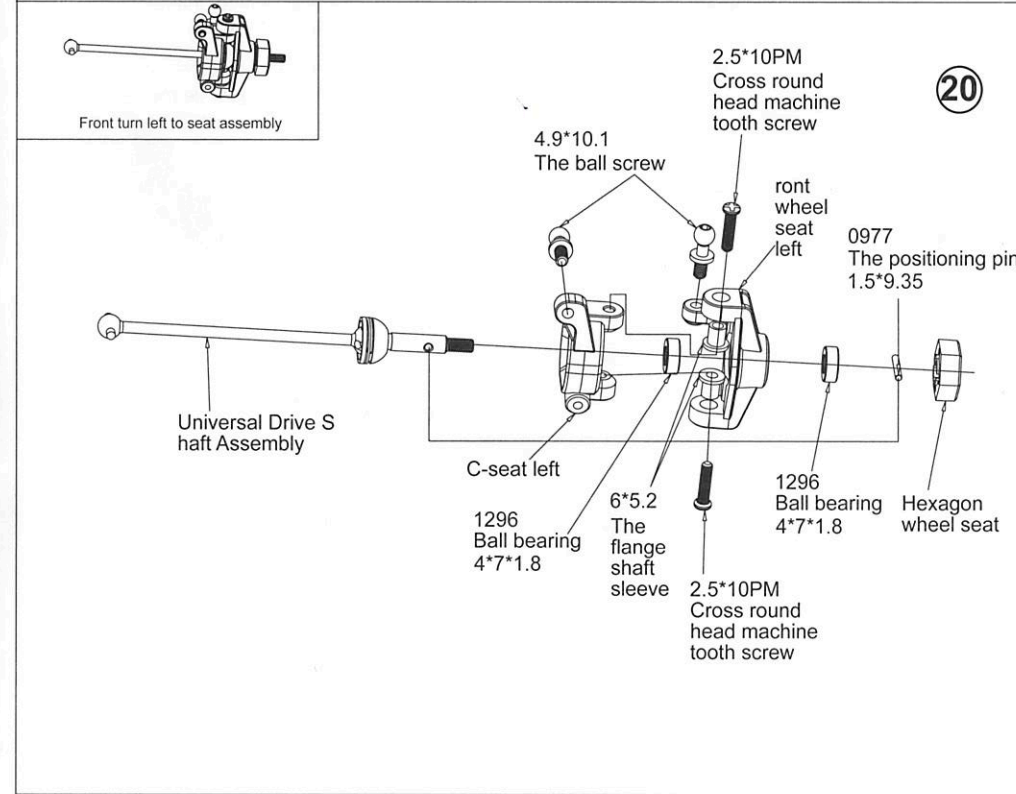
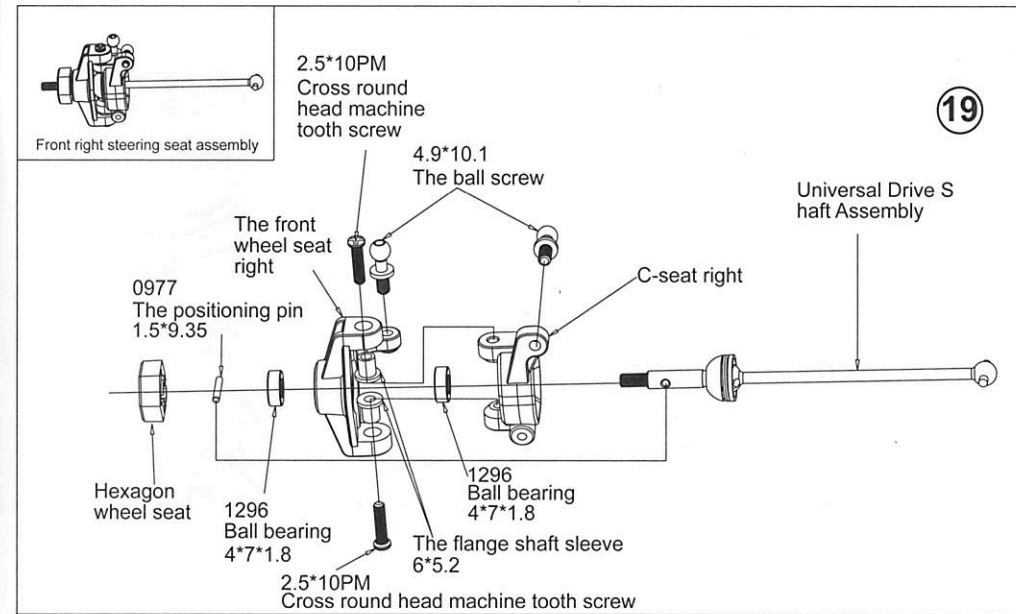
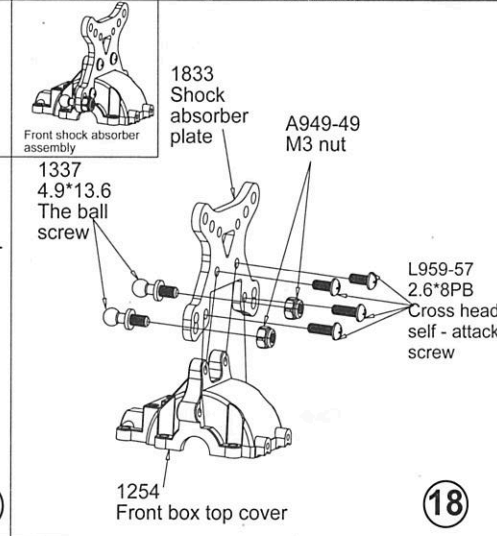
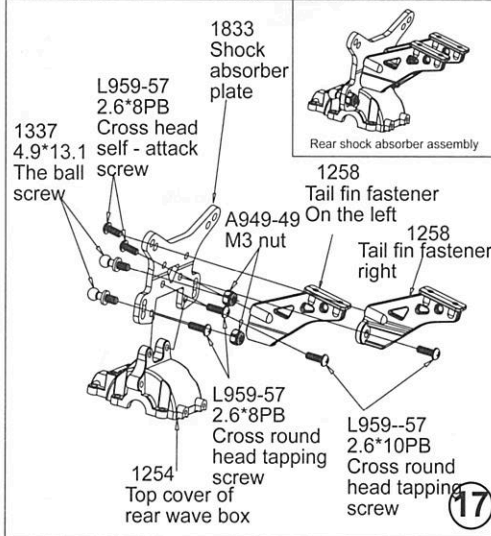
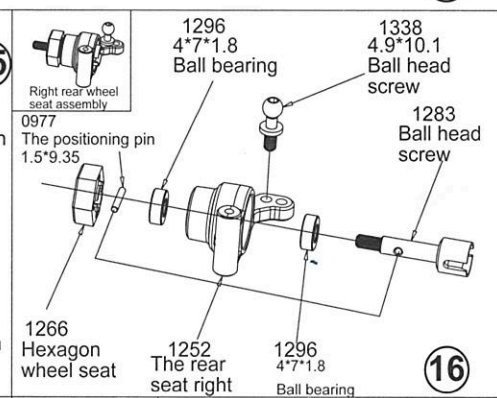
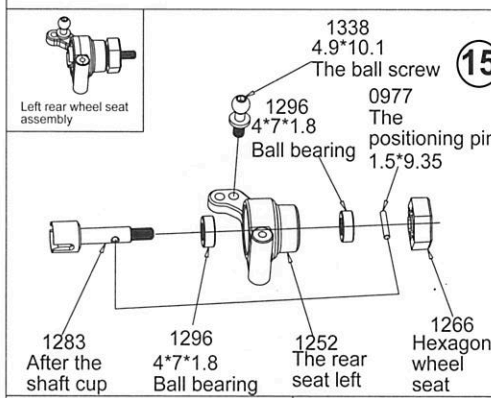
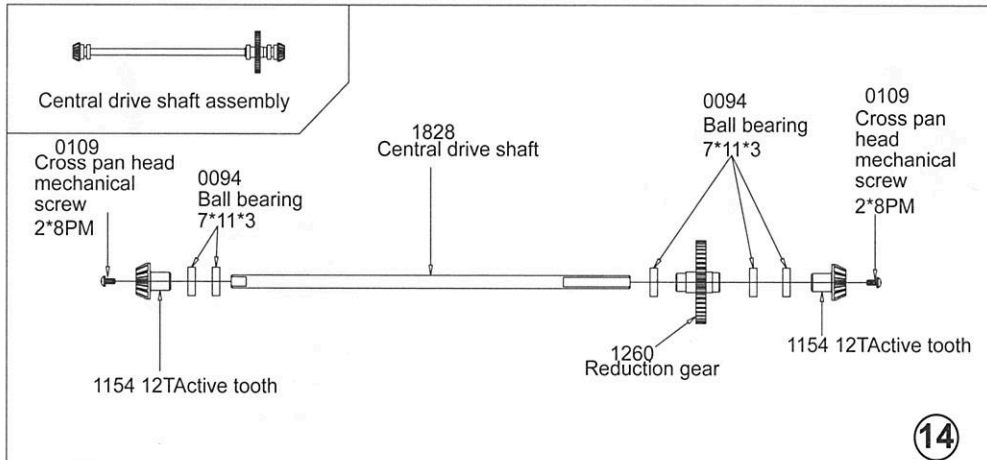
12

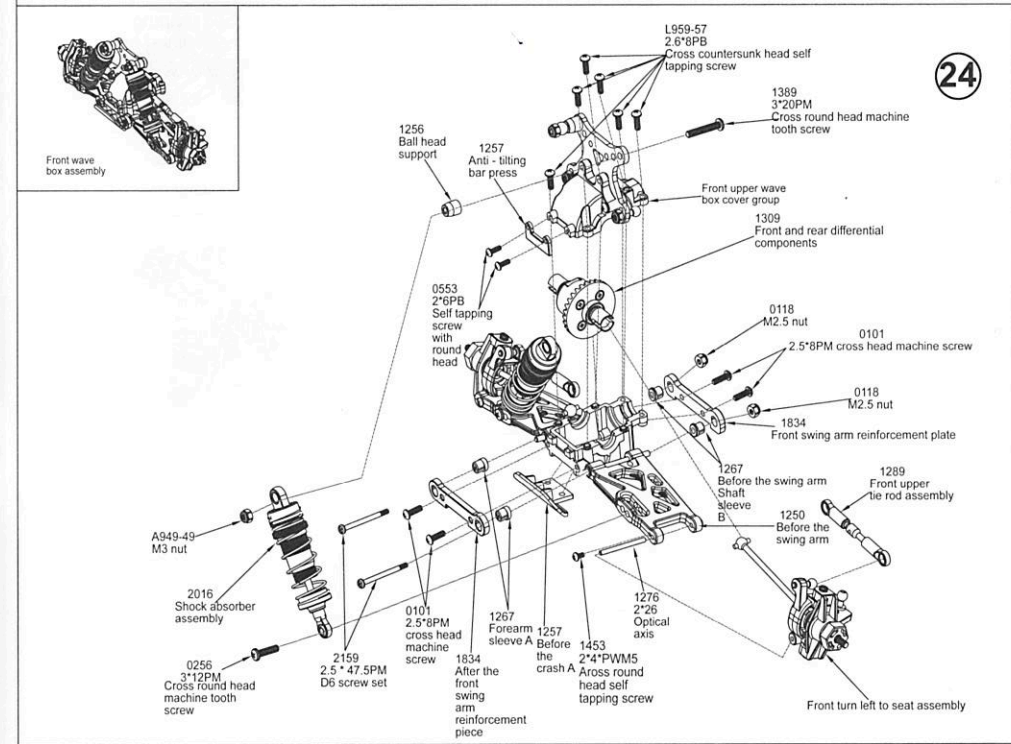
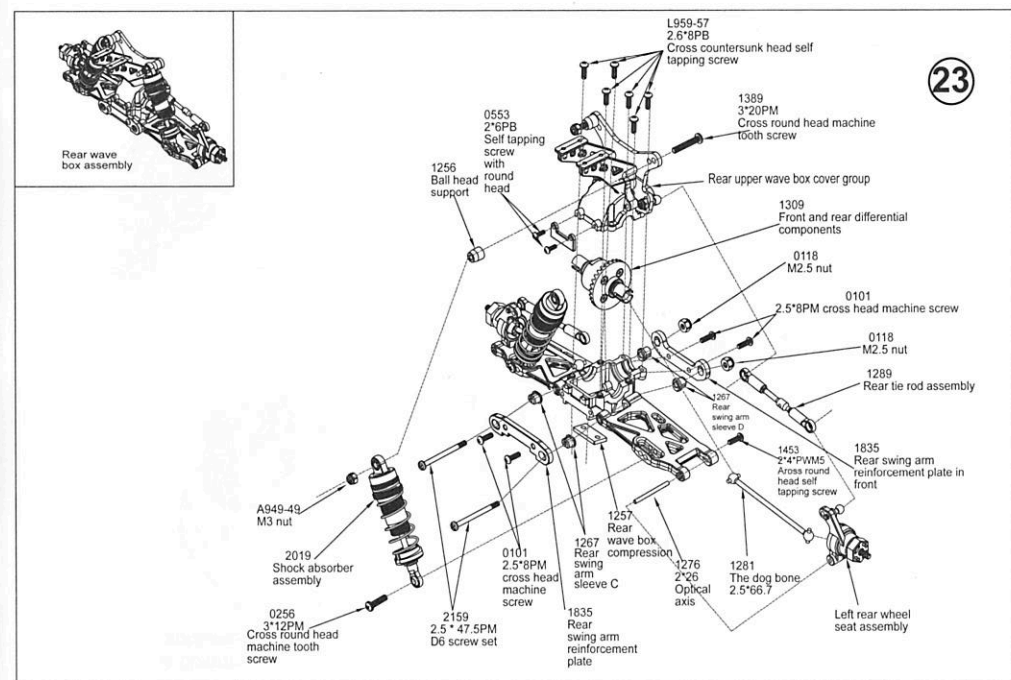
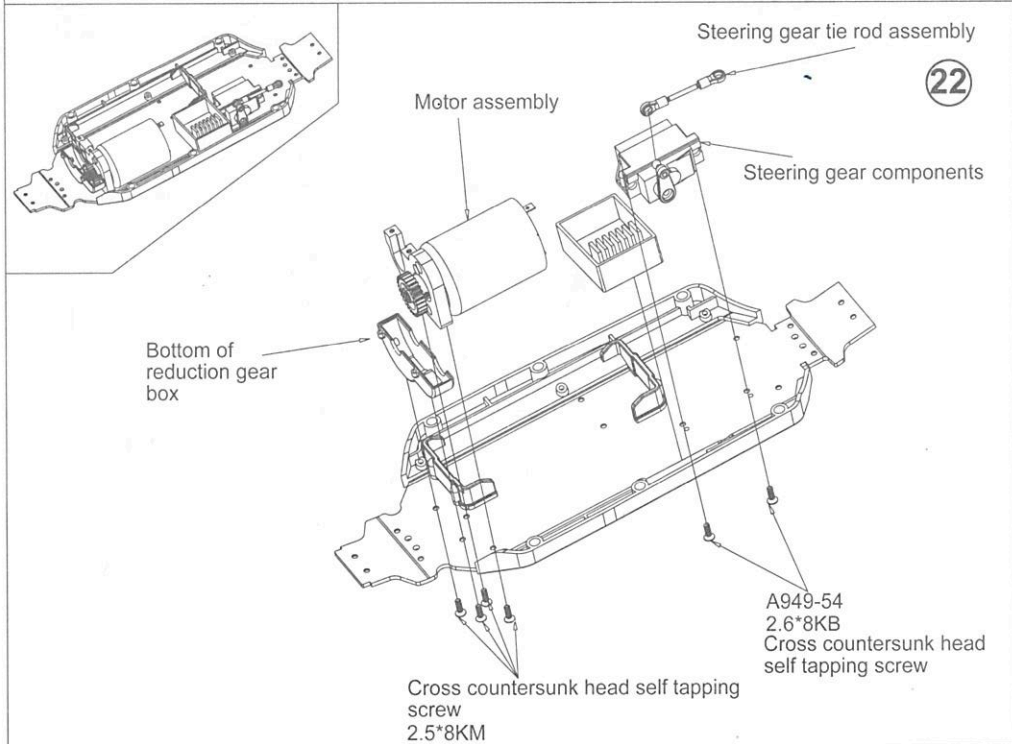
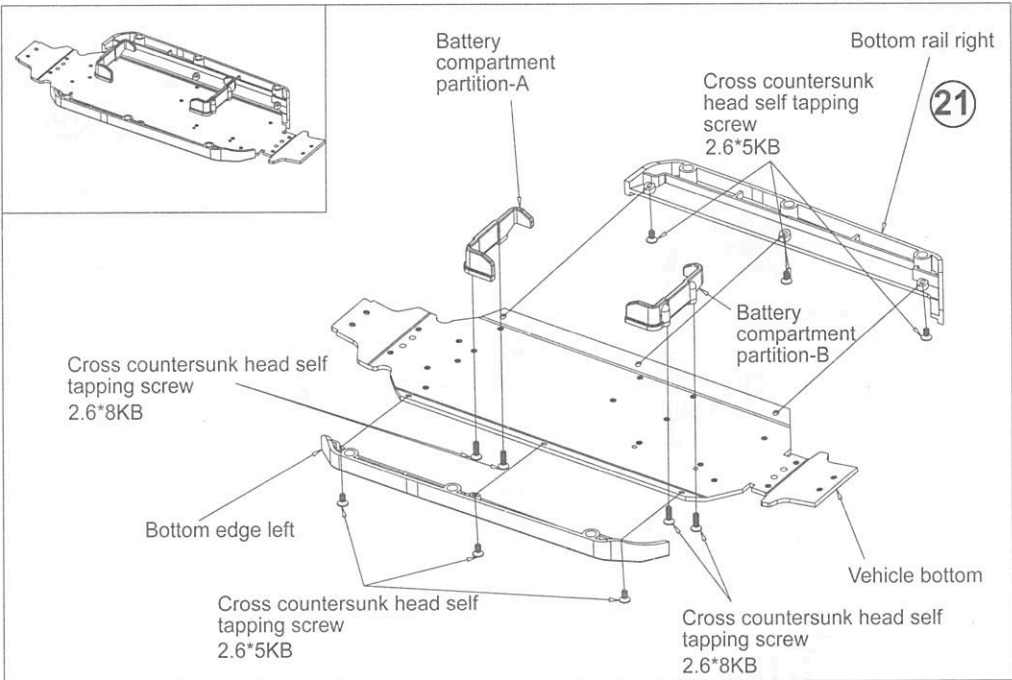


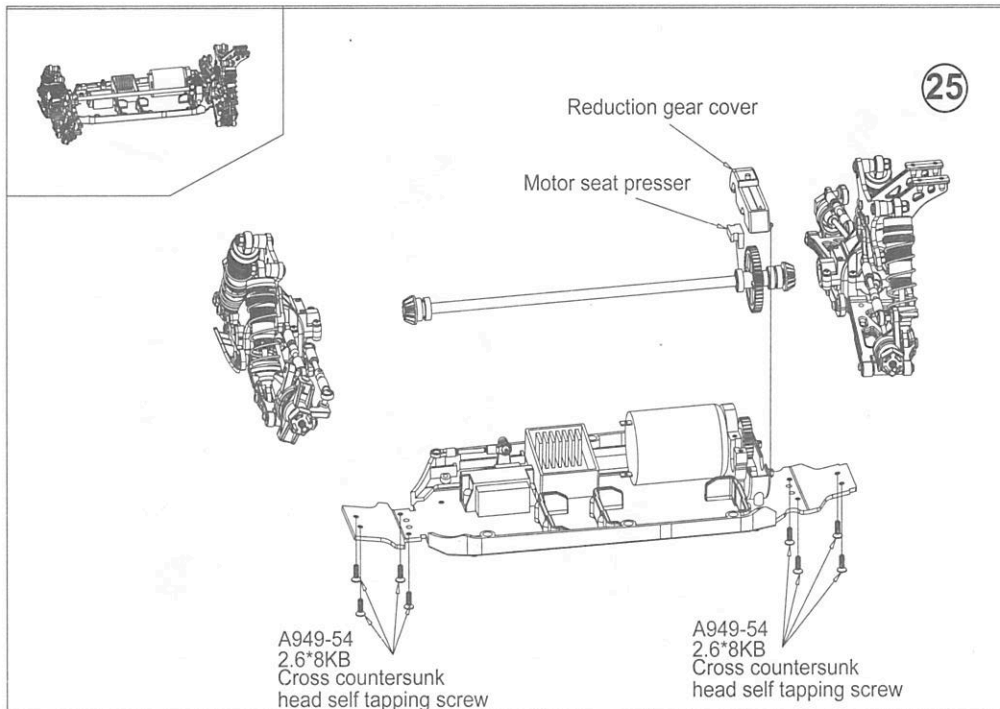
13



14

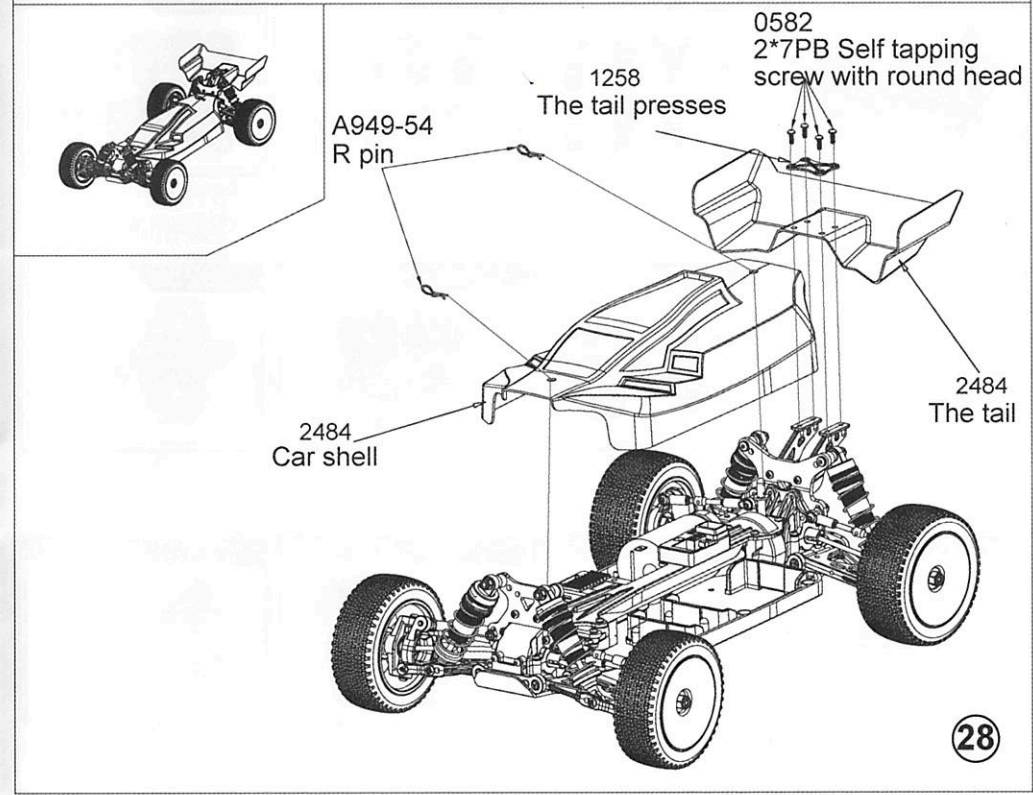
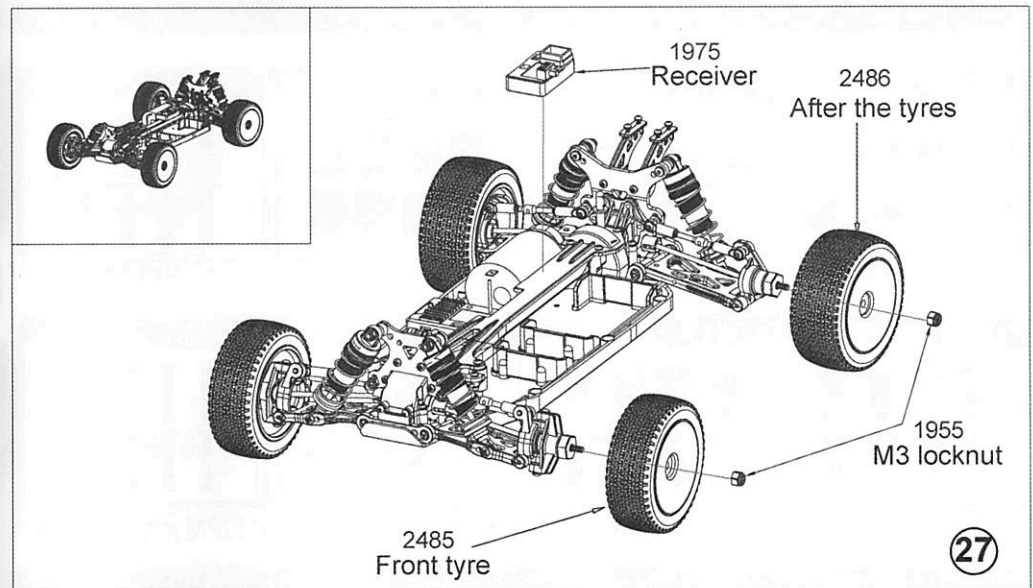
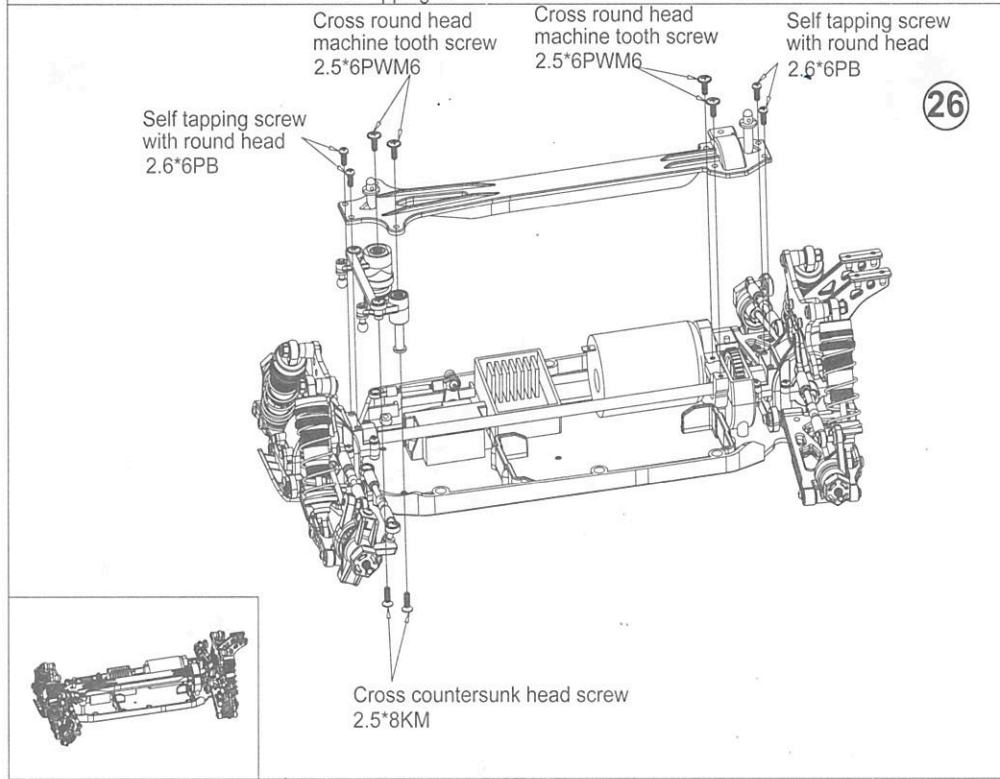




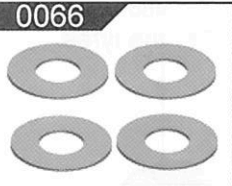
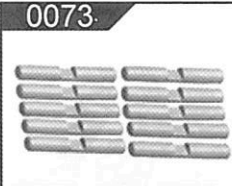
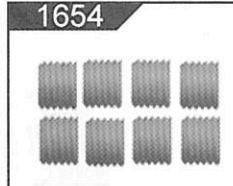
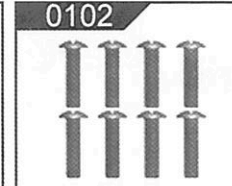
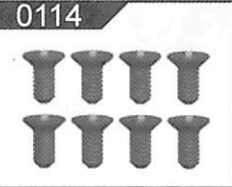
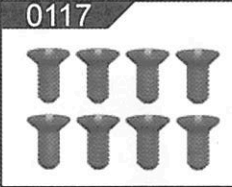

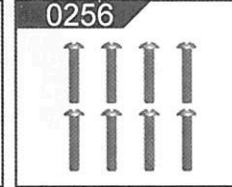
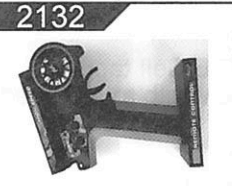






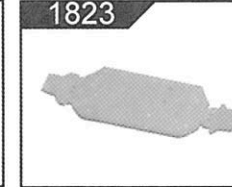






A949-54  
2.6\*8KB  
Cross countersunk  
head self tapping screw


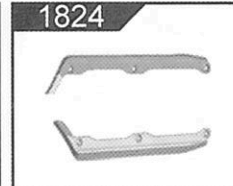

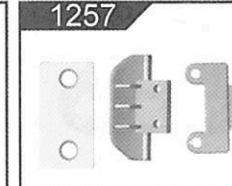


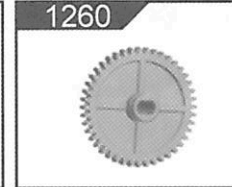
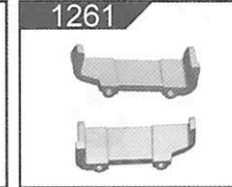


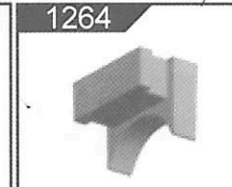
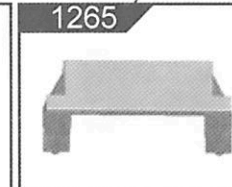

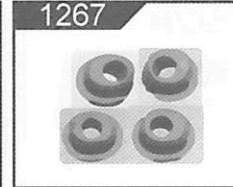

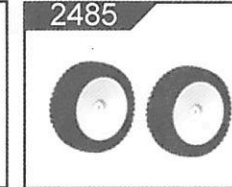

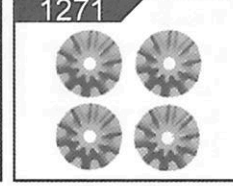
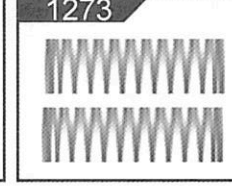
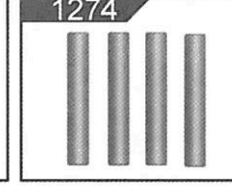
A949-54  
2.6\*8KB  
Cross countersunk  
head self tapping screw





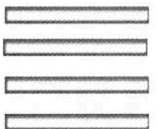
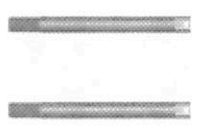



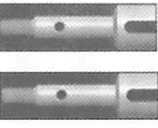
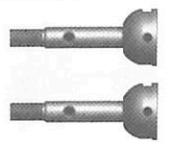
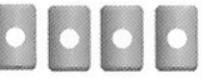






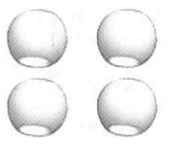



## Sale parts view

 <p>0066 12 * 5.2 * 0.2 gasket set assembly</p>	 <p>0073 Differential shaft assembly</p>	 <p>1654 M3*3 Inner hexagonal screw assembly</p>	 <p>0102 2.5*10PM screw assembly</p>
 <p>0114 2.5*8KM screw assembly</p>	 <p>0117 3*8KM screw assembly</p>	 <p>1374 USB charging line</p>	 <p>0256 3*12PM screw assembly</p>
 <p>2132 V8-104072 Remote control unit</p>	 <p>0422 2 * 6KM screw assembly</p>	 <p>0553 2 * 6PB screw assembly</p>	 <p>0582 ST2*7PB screw assembly</p>
 <p>1153 30T Differential Large Teeth(Hardware) Component</p>	 <p>1154 12T Active Teeth(Hardware) Group</p>	 <p>1155 24T Differential Large Planetary Teeth(Hardware) Group</p>	 <p>1823 car body assembly</p>
 <p>1250 Front and rear arms</p>	 <p>1251 Front seat assembly</p>	 <p>1252 Rear seat assembly</p>	 <p>1253 Type C Block Component</p>

## Sale parts view

 <p>1254 Wave Box Component</p>	 <p>1824 Bottom side guard assembly</p>	 <p>1256 Ball head support assembly</p>	 <p>1257 Anti-collision accessories components</p>
 <p>1258 Final-end firmware component</p>	 <p>1825 Second floor panel components</p>	 <p>1260 Slow down large tooth assembly</p>	 <p>1261 Battery partition assembly</p>
 <p>1262 Speed gear upper and lower cover assembly</p>	 <p>1263 Tiller arm assembly</p>	 <p>1264 Motor seat press component</p>	 <p>1265 Steering seat press assembly</p>
 <p>1266 Hexagonal seat assembly</p>	 <p>1267 Front and rear arm sleeve</p>	 <p>1268 Switch to clutch component</p>	 <p>2485 Front tire assembly</p>
 <p>2486 Back tire assembly</p>	 <p>1271 10T Differential Asteroid Teeth(Hardware) Group</p>	 <p>1273 Shock absorber spring assembly</p>	 <p>1274 1.5*9.35 Optical axis</p>

## Sale parts view

1275 	0101 	1277 	1278 
1*9 Optical axis	2.5*8PM Cross head machine screw	2*26 Optical axis	Shock absorber shaft component
1279 	1281 	1282 	1283 
Buffer spring assembly	Dog bone assembly	Universal drive shaft assembly	Rear Wheel Cup Component
1284 	1285 	1286 	1287 
Front Wheel Cup Component	Cross shaft assembly	Universal cup spring assembly	Steering gear lever assembly
1288 	1289 	1290 	1291 
Short pull bar assembly	Long pull bar assembly	Steering column assembly	Steering column sleeve component
1292 	1828 	1294 	1295 
Ball Head Component	Central Transmission Axis Component	6 * 2.7 flange sleeve assembly	6 * 5.2 flange sleeve assembly

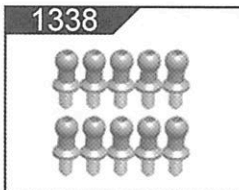
## Sale parts view

1296 	1298 	2020 	2021 
4*7*1.8 Ball bearing assembly	Shock absorber cylinder assembly	Shock absorber cap assembly	Regulate Ring Component
1831 	1833 	2006 	1304 
Spring seat assembly	Shock absorber assembly	Motor Block Component	Steering connecting rod assembly
1834 	1835 	2003 	2004 
Front swing arm reinforcement module	Backswing arm reinforcement module	Rudder assembly	Motor components
1309 	2005 	1314 	1315 
Differential	Receiver board assembly	Type 0 assembly	Coaxial component
2016 	1323 	2484 	A949-29 
Front shock absorber assembly	ST2.6*5KB screw assembly	Car shell components	Heat Discharge Group

## Sale parts view



1337  
4.9\*13.6 Ball Head screw assembly



1338  
4.9\*10.6 Ball Head screw assembly



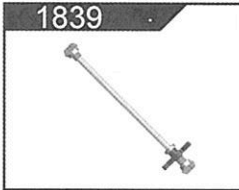
A202-04  
4.0\*9.5 Ball Head screw assembly



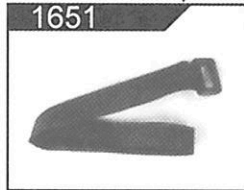
A202-15  
ST2\*8KB screw assembly



A303-39  
ST2.6\*6PWB6 screw assembly



1839  
Central drive shaft assembly



1651  
Magic paste group



A949-35  
Ball bearings 7 \* 11 \* 3 groups



A949-38  
ST2.6\*6PB screw assembly



A949-43  
2.5\*6PWM6 Screw assembly



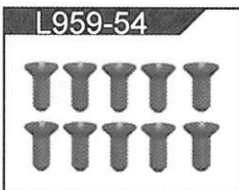
A949-49  
M3 Loose nut assembly



2178  
Motor teeth 27T group



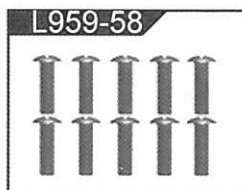
1652  
Battery assembly



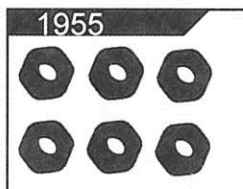
L959-54  
ST2.6\*8KB screw assembly



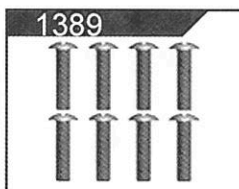
L959-57  
ST2.6\*8PB screw assembly



L959-58  
ST2.6\*10PB screw assembly



1955  
M3 flange nut



1389  
3 \* 20pm Cross round head machine screw

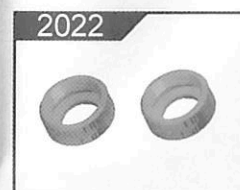


1453  
2\*4PWM5 Cross round head machine screw



1656  
2.5\*8PWM6 Cross round head machine screw

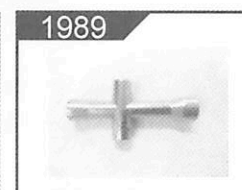
## Sale parts view



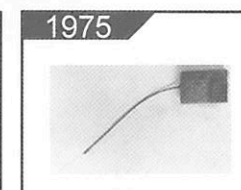
2022  
Shock proof sealing cap 11 \* 4.5 sets



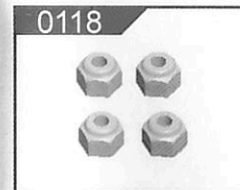
2019  
Rear shock absorber assembly



1989  
Zinc alloy cross sleeve assembly



1975  
Brushless receiver



0118  
M2.5 jam nut



2159  
2.5 \* 47.5pm D6 screw set