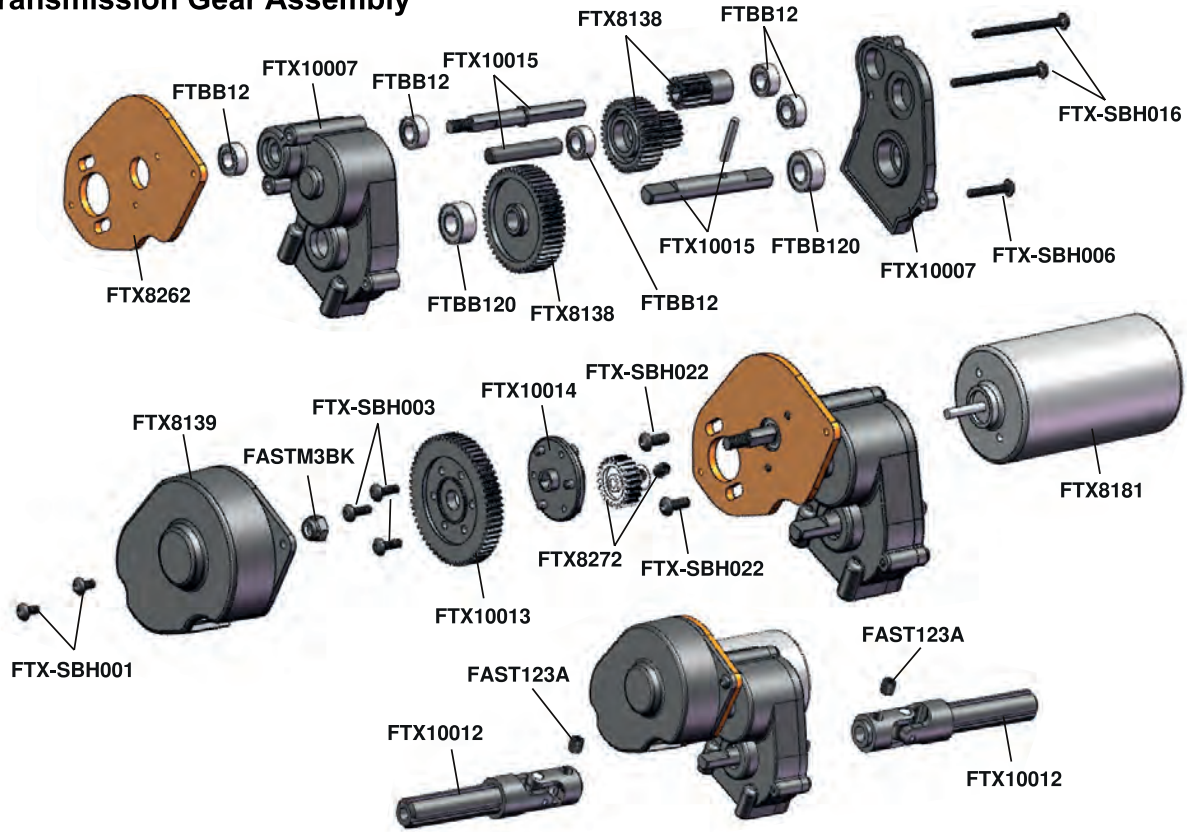


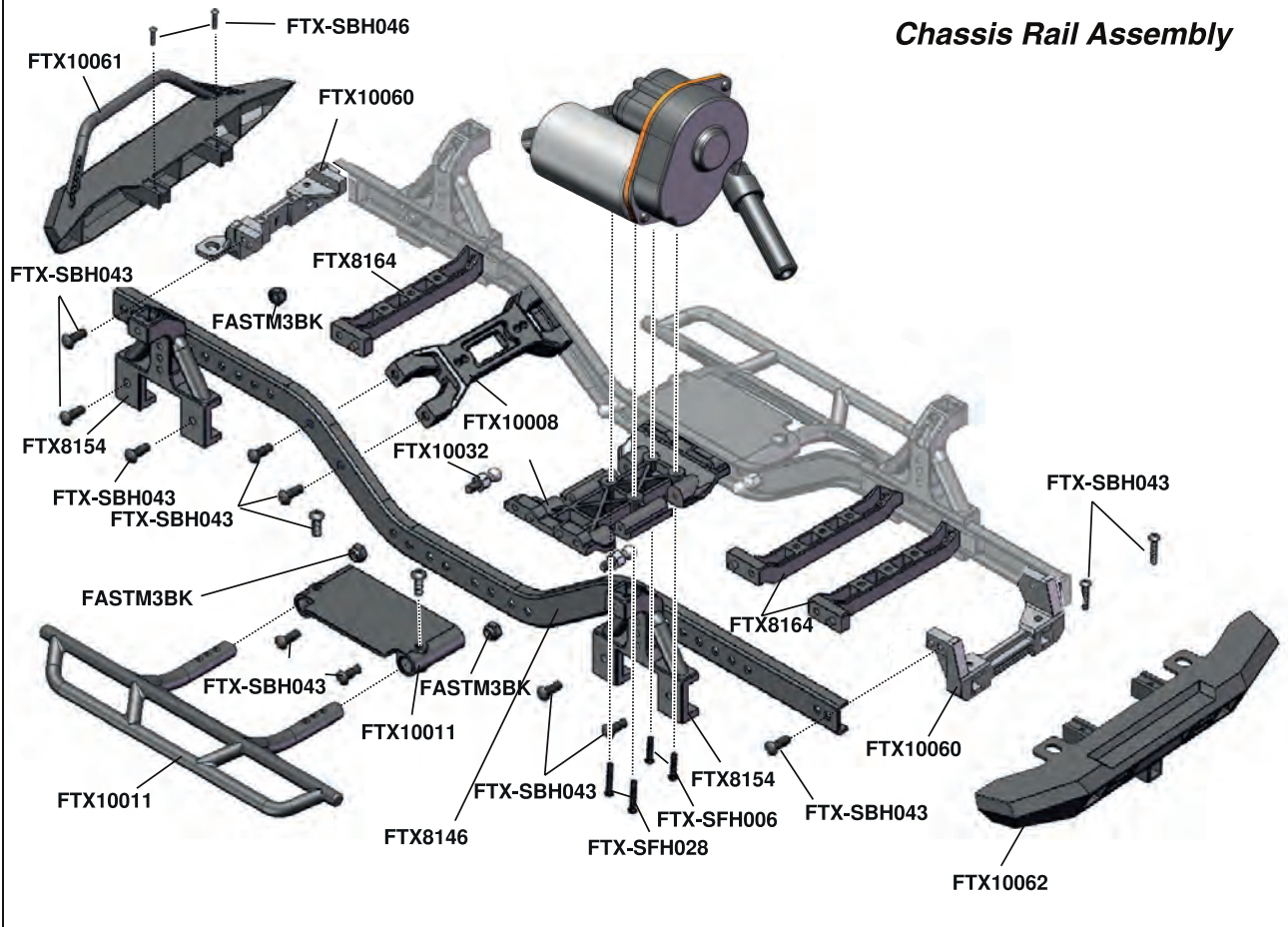


EXPLODED PARTS DIAGRAM

Transmission Gear Assembly



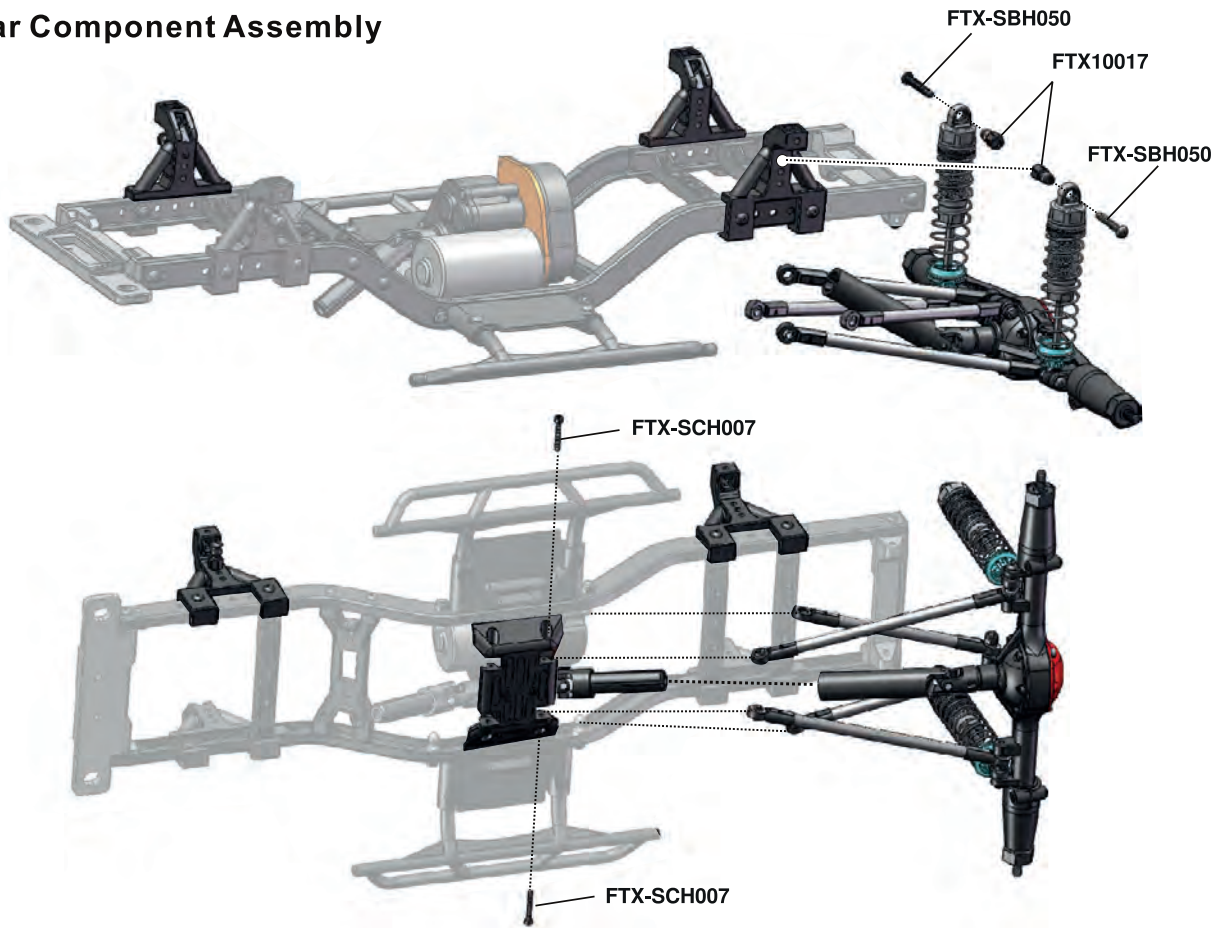
Chassis Rail Assembly



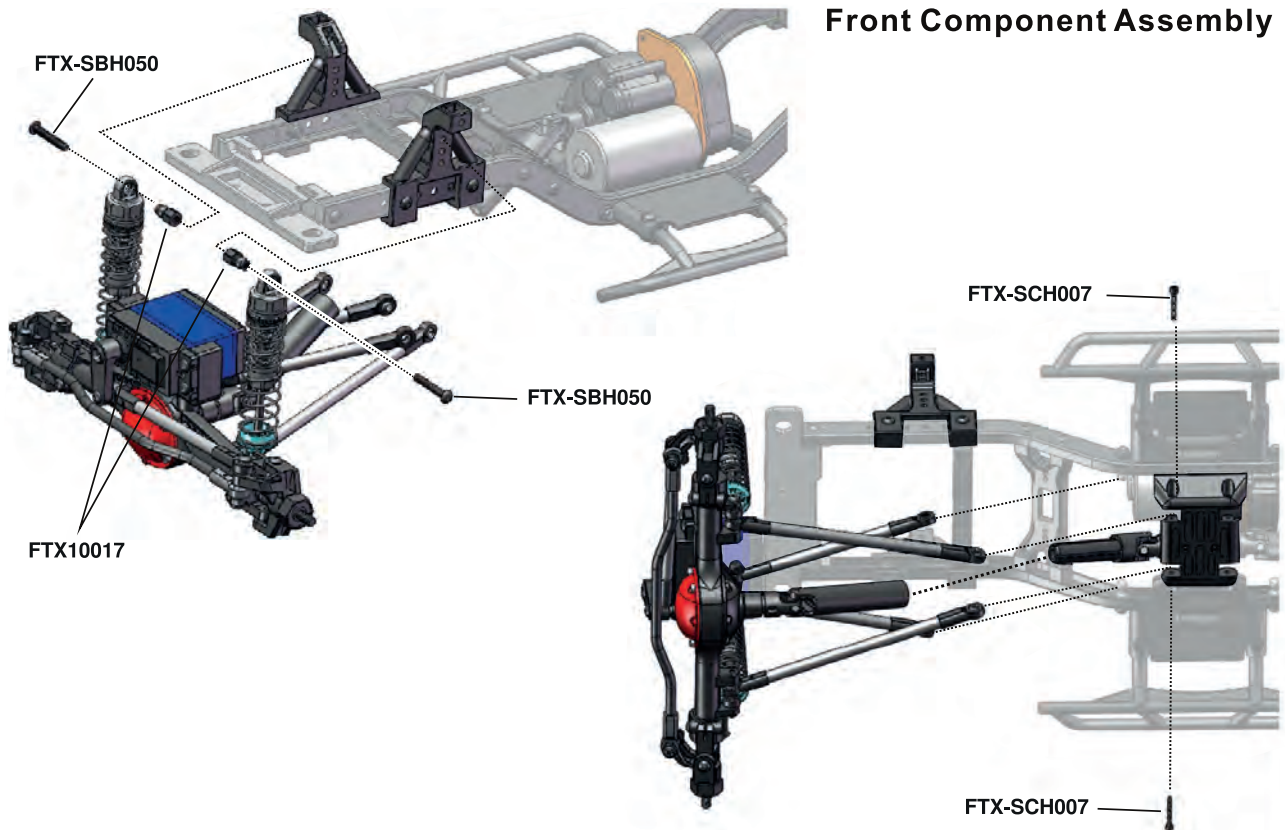


EXPLODED PARTS DIAGRAM

Rear Component Assembly



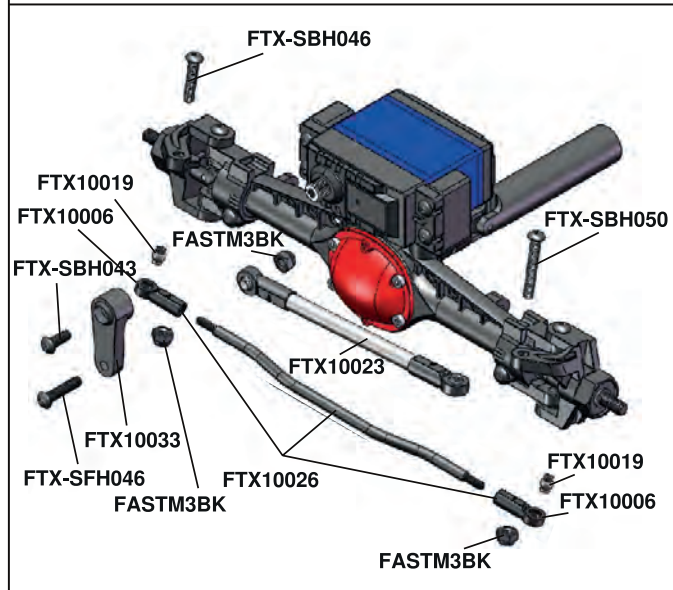
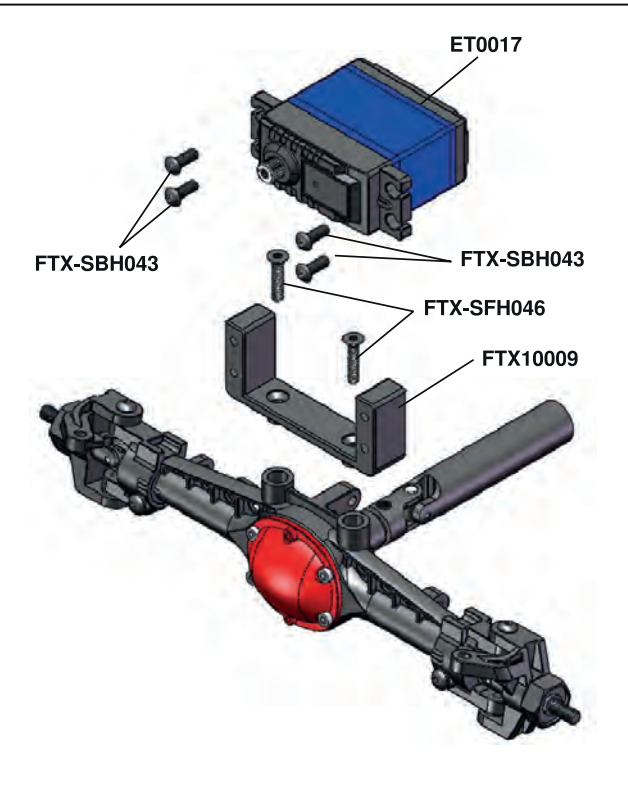
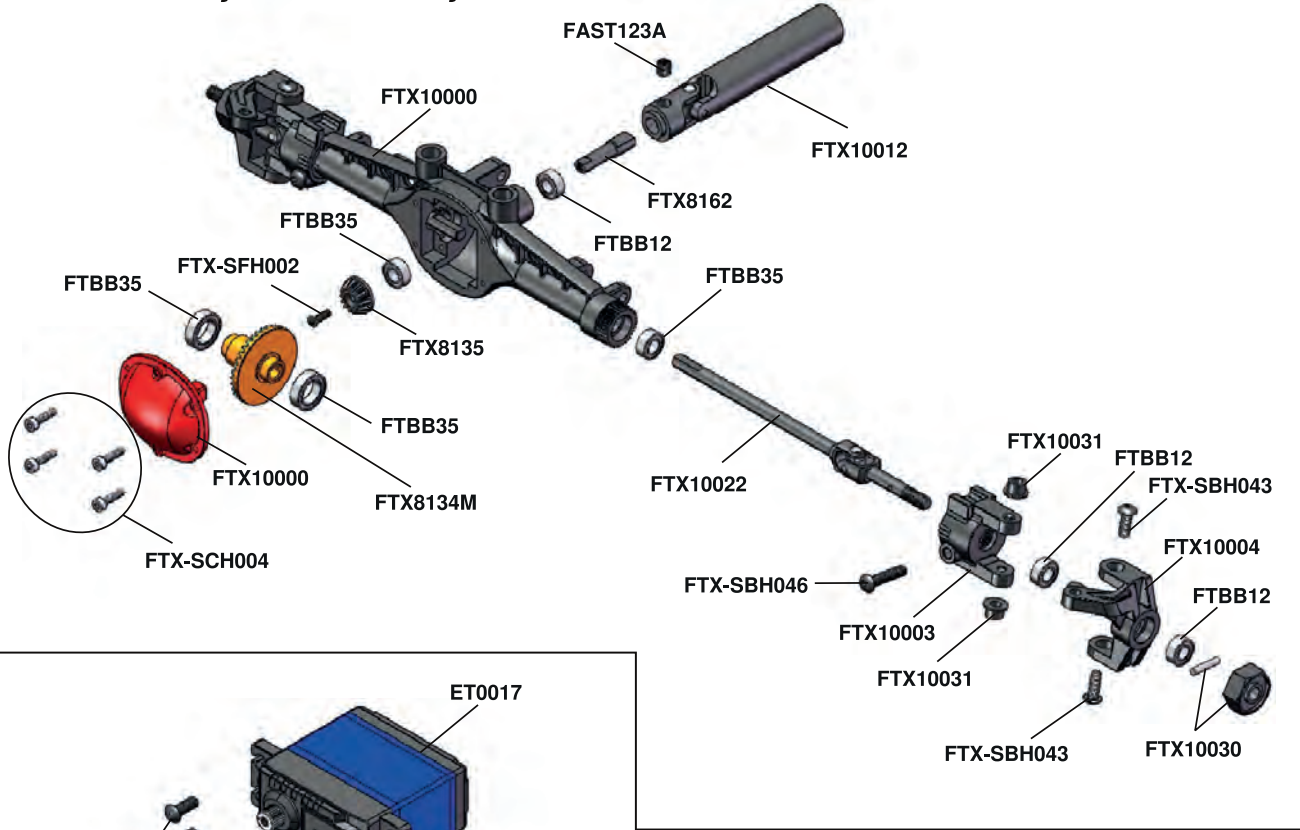
Front Component Assembly



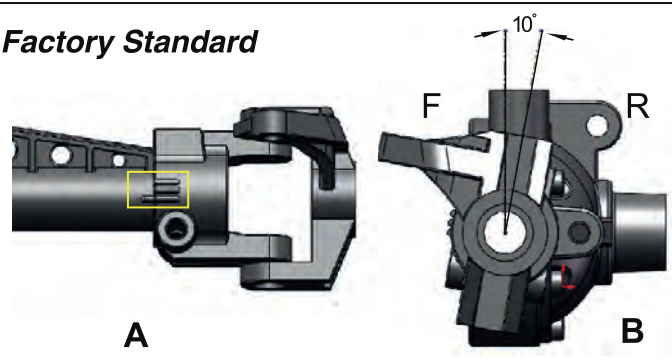


EXPLODED PARTS DIAGRAM

Front Drive System Assembly



Factory Standard

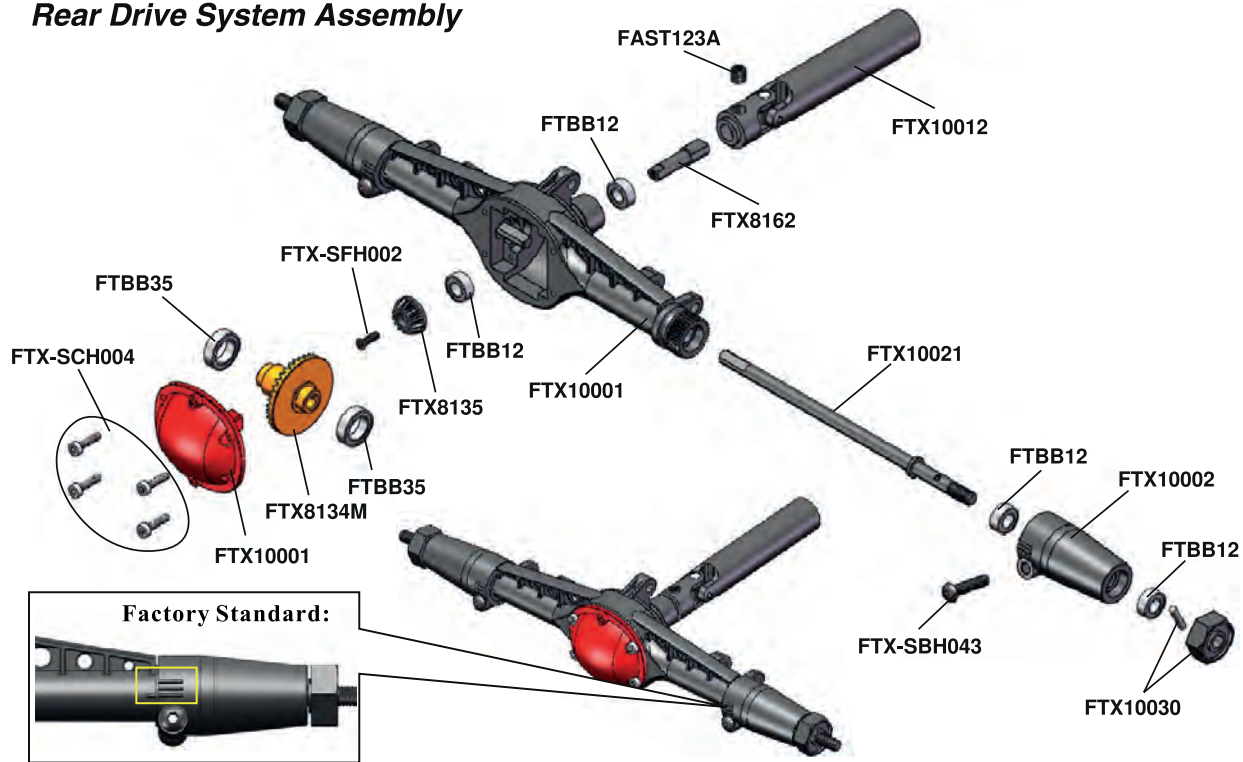


NOTE:
 Assemble the gearbox and the Caster,
 Align the gearbox scale with the
 lowest scale of Caster
 (as shown in Figure A)
 If incorrect, the car will move instability.



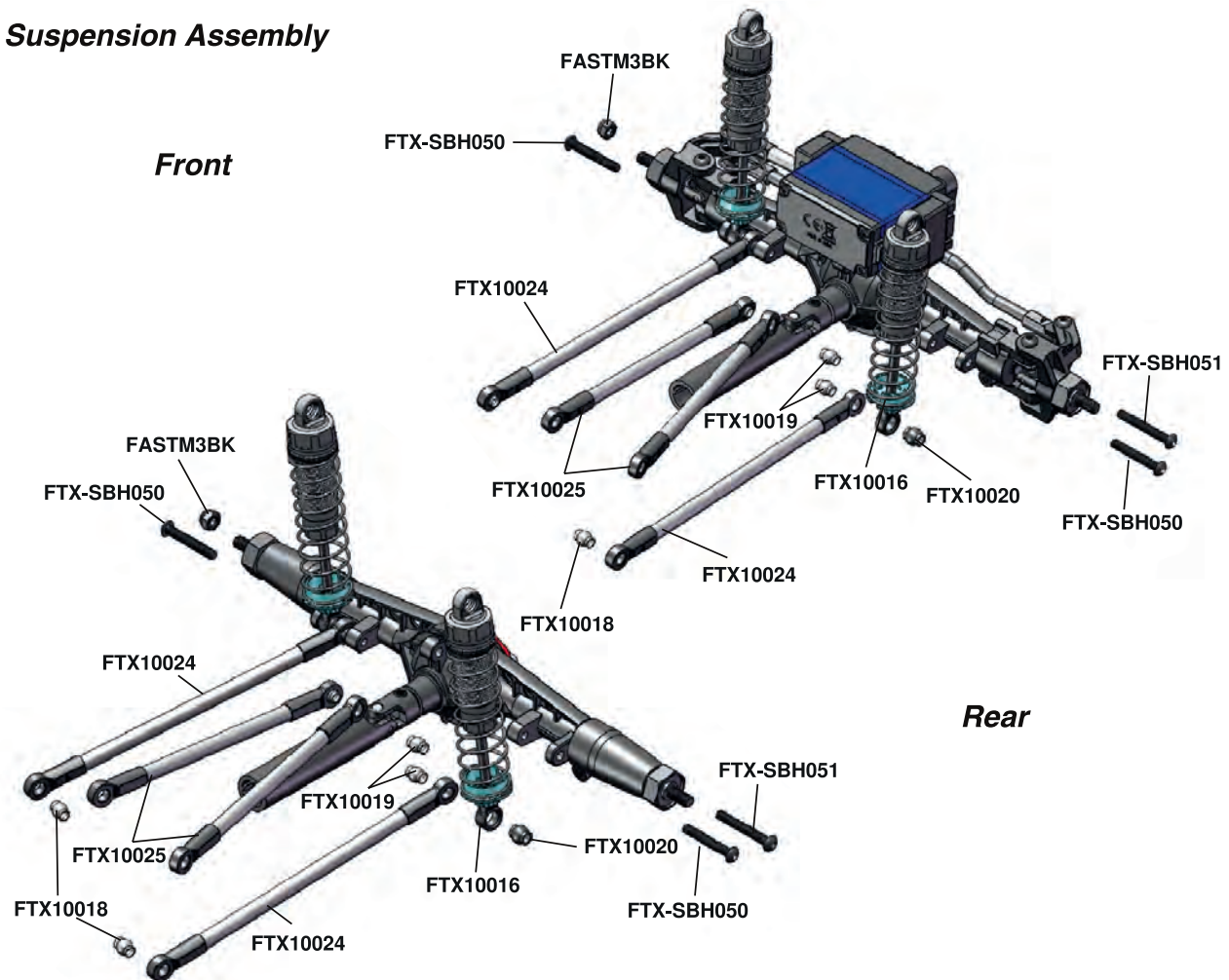
EXPLODED PARTS DIAGRAM

Rear Drive System Assembly



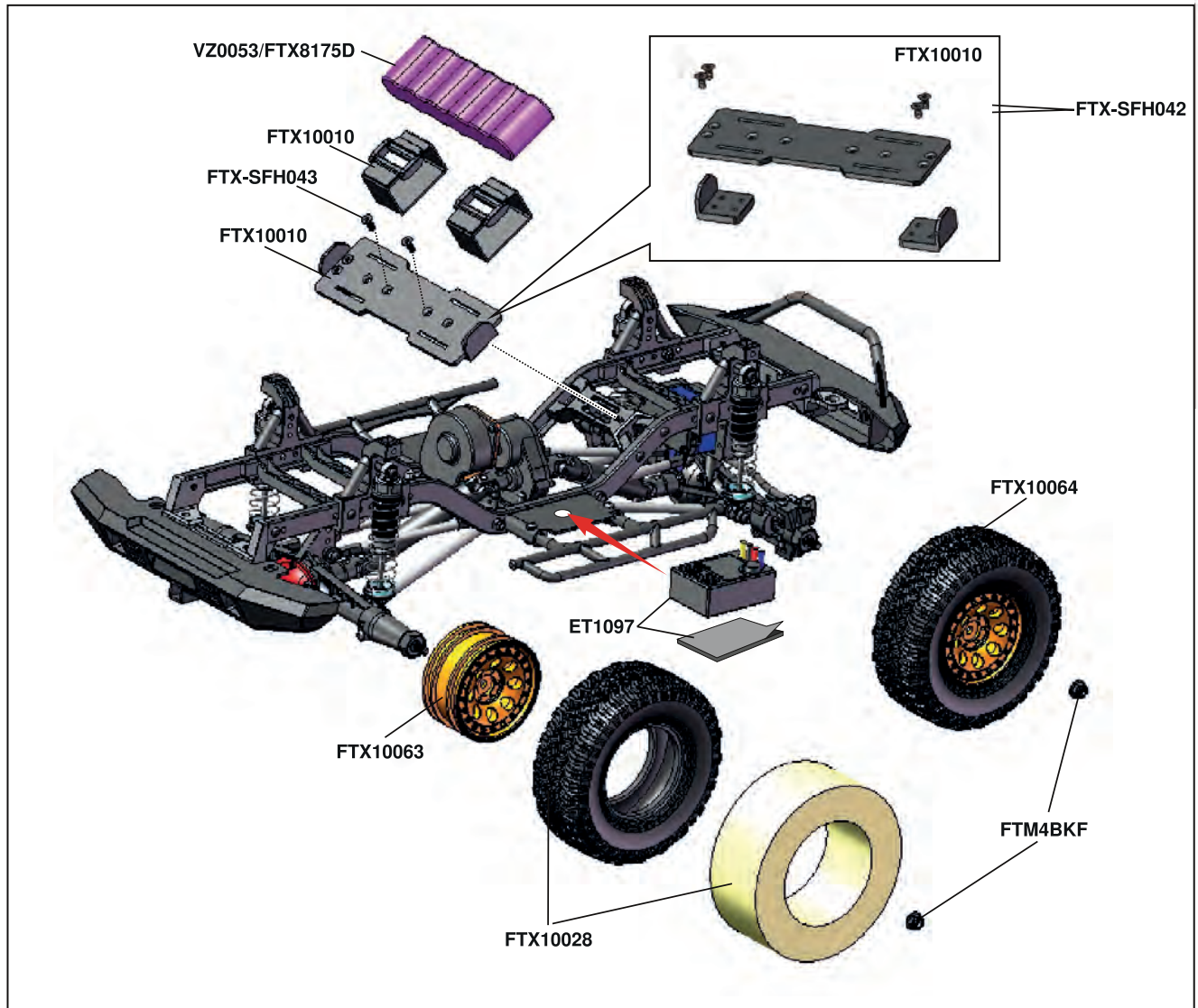
Suspension Assembly

Front

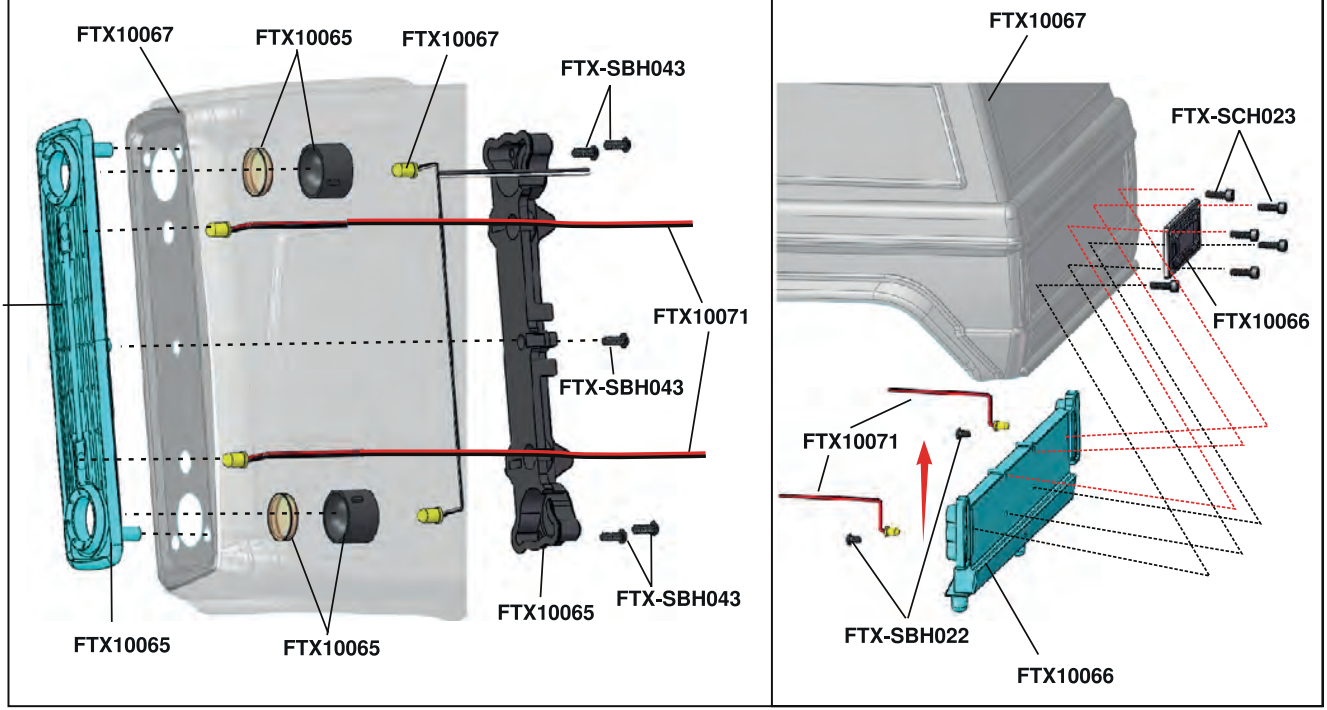




EXPLODED PARTS DIAGRAM

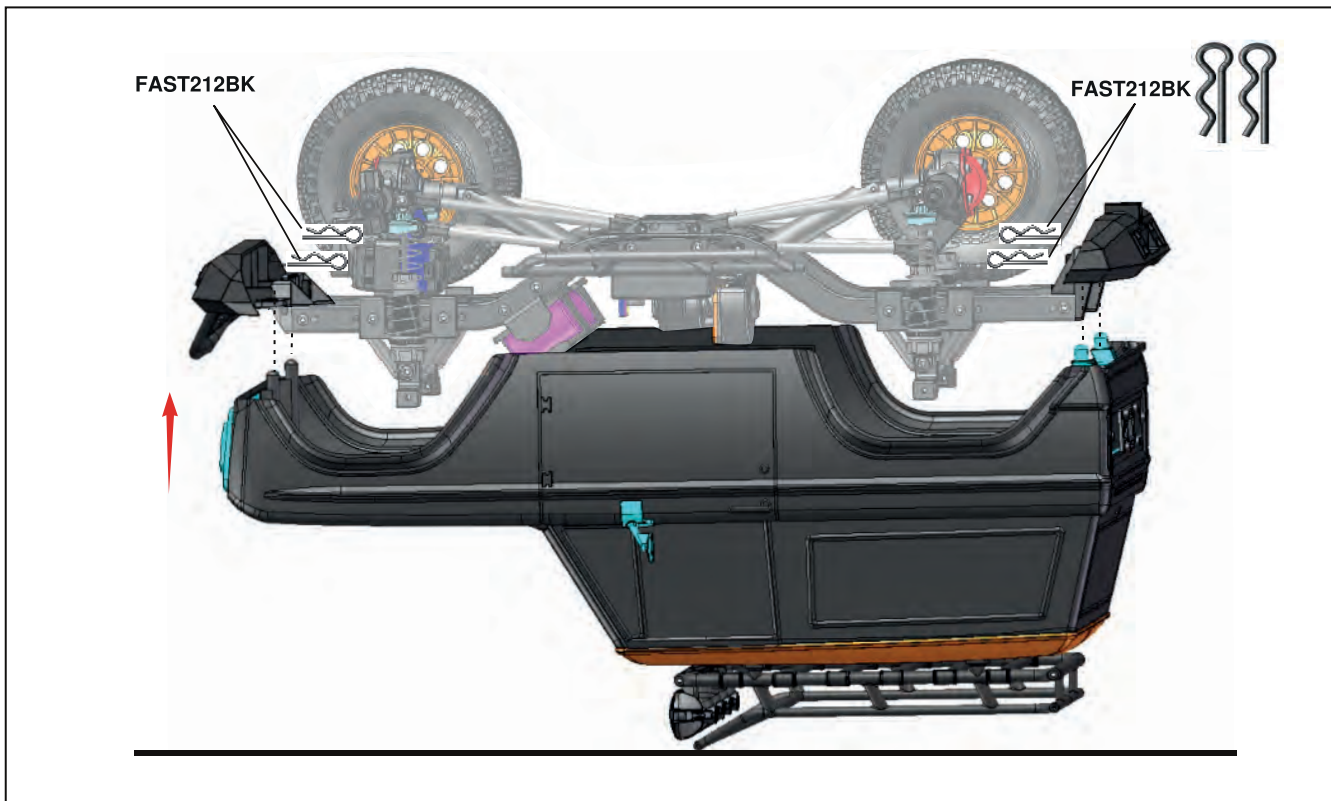
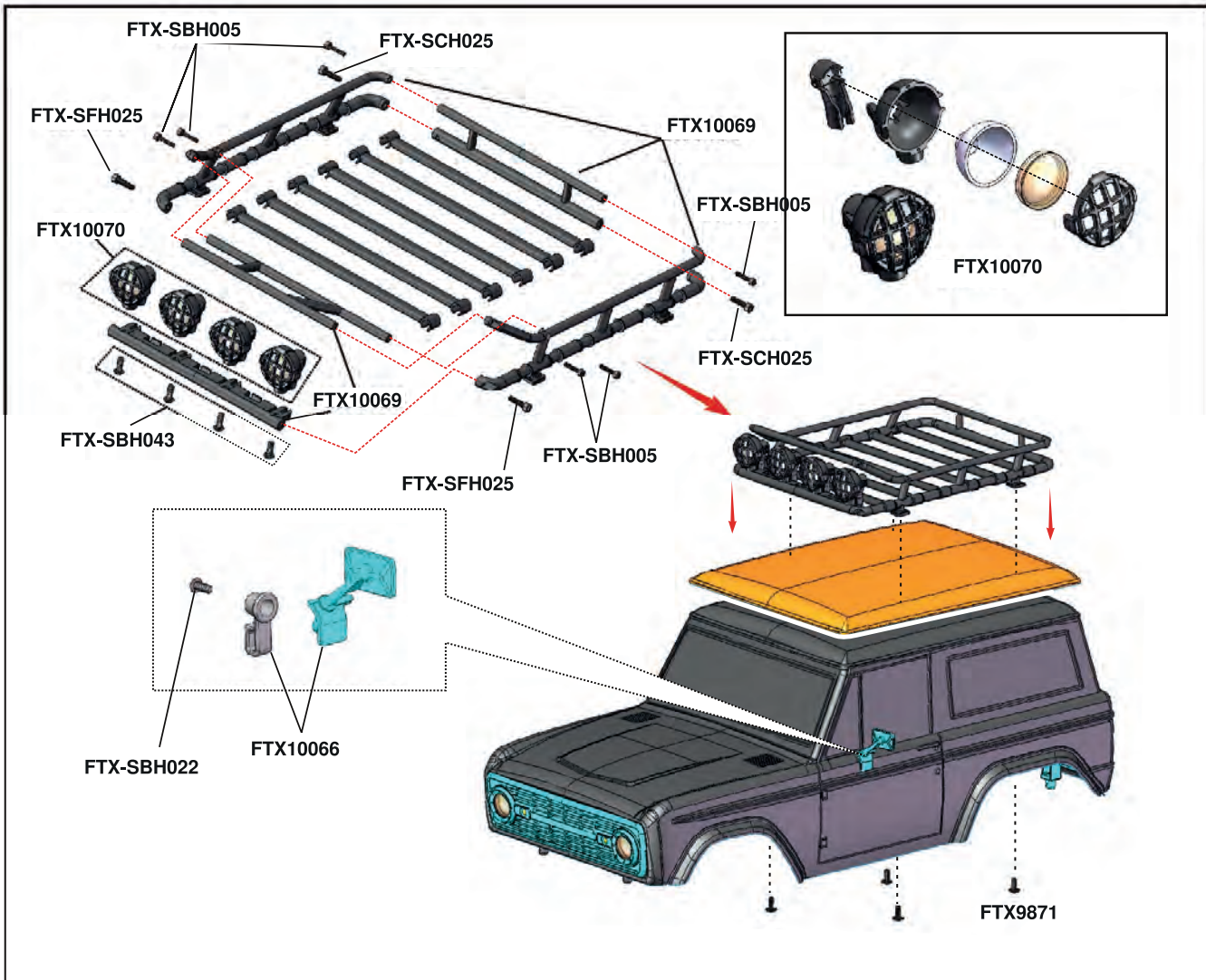


Front Air Grill/Light Stand Assembly





EXPLODED PARTS DIAGRAM





SPARE PARTS LISTING

SPARE PARTS

<p>FTX10000 Gear Box/Housing (F)</p>	<p>FTX10001 Gear Box/Housing (R)</p>	<p>FTX10002 Rear Straight Axle</p>	<p>FTX10003 Steering Hubs(L/R)</p>
<p>FTX10004 Steering Hub Carriers(L/R)</p>	<p>FTX10060 Bumper Mounts</p>	<p>FTX10006 Ball Stud</p>	<p>FTX8147 Chassis Plate</p>
<p>FTX10007 Transmission Gear Housing Set</p>	<p>FTX8139 Motor Cover</p>	<p>FTX10008 Battery Mounts</p>	<p>FTX10009 Servo Mount</p>
<p>FTX8164 Chassis Frame Block</p>	<p>FTX10010 Battery Tray+Batter Strap</p>	<p>FTX10011 Side Skirt Protector Bar Set</p>	<p>FTX8154 Shock Stay</p>
<p>FTX8146 Chassis Rails</p>	<p>FTX10012 Universal Drive Shaft</p>	<p>FTX8138 (50T+14T+34T+16T) TransmissionMetal Gear Set</p>	<p>FTX10013 Main Gear 60T</p>
<p>FTX10014 Main Gear Mount</p>	<p>FTX8135 Drive Gear 14T</p>	<p>FTX8134M Crown Gear 38T</p>	<p>FTX10015 Gear Shaft Set</p>
<p>FTX8162 Drive Gear Shaft</p>	<p>FTX10016 Shock Absorbers</p>	<p>FTX10017 Ball Stand 1</p>	<p>FTX10018 Ball Stand 2</p>





























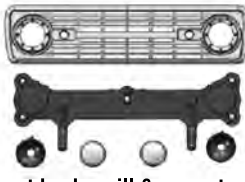
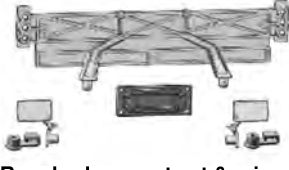
SPARE PARTS LISTING

SPARE PARTS

<p>FTX10019</p>  <p>→ $\phi 3.0$</p> <p>Ball Stand 3</p>	<p>FTX10020</p>  <p>Ball Stand 4</p>	<p>FTX10021</p>  <p>Rear Shaft</p>	<p>FTX10022</p>  <p>CVA Drive Shaft</p>
<p>FTX10023</p>  <p>45.5mm</p> <p>Servo link</p>	<p>FTX10024</p>  <p>54mm</p> <p>Upper Link</p>	<p>FTX10025</p>  <p>78mm</p> <p>Lower Link</p>	<p>FTX10026</p>  <p>Steering Link</p>
<p>FTX10063</p>  <p>2.5*5 X12P 2.5*11X12P</p> <p>Wheel Rim (PR)</p>	<p>FTX10028</p>  <p>Tire W/Foam (RC)</p>	<p>FTX10064</p>  <p>Wheel Complete (PR)</p>	<p>FTX10030</p>  <p>Wheel Hex/Pin</p>
<p>FTX8262</p>  <p>Motor Mount</p>	<p>FTX8181</p>  <p>Motor (RC390)</p>	<p>FTX8272</p>  <p>Pinion Gear 22T</p>	<p>FTBB35</p>  <p>$\phi 7 * \phi 11 * 3 \text{mm}$ Ball Bearing 1pc</p>
<p>FTBB120</p>  <p>$\phi 5 * \phi 10 * 4 \text{mm}$ Ball Bearing 1pc</p>	<p>FTBB12</p>  <p>$\phi 4 * \phi 8 * 3 \text{mm}$ Ball Bearing 1pc</p>	<p>FTX10031</p>  <p>King Pin Bushing</p>	<p>FTM4BKF</p>  <p>Flange Nut M4</p>
<p>FASTM4BK</p>  <p>Nylon Nut M4</p>	<p>FASTM3BK</p>  <p>Nylon Nut M3</p>	<p>FTX9894</p>  <p>Grub Screw Bolt 4*25</p>	<p>FAST123A</p>  <p>Grub Hex Screw M4*4</p>
<p>FAST122</p>  <p>Grub Hex Screw M3*3</p>	<p>FTX10032</p>  <p>Ball Stand Screw $\phi 4.0$</p>	<p>FTX-SCH004</p>  <p>1.5 Cap Head 2*8</p>	<p>FTX-SCH002</p>  <p>1.5 Cap Head 2*5</p>




SPARE PARTS

<p>FTX-SCH023</p>  <p>2.0 Cap Head 2.5*8</p>	<p>FTX-SCH007</p>  <p>1.5 Cap Head 2*14</p>	<p>FTX-SCH025</p>  <p>2.0 Cap Head 2.5*11</p>	<p>FTX-SFH046</p>  <p>2.0 Flat Head 3*14</p>
<p>FTX-SFH044</p>  <p>2.0 Flat Head 3*10</p>	<p>FTX-SCH043</p>  <p>2.0 Flat Head 3*8</p>	<p>FTX-SFH042</p>  <p>2.0 Flat Head 3*6</p>	<p>FTX-SFH006</p>  <p>1.5 Flat Head 2*12</p>
<p>FTX-SFH028</p>  <p>2.0 Flat Head 2.5*15</p>	<p>FTX-SFH002</p>  <p>1.5 Flat Head 2*5</p>	<p>FTX-SBH016</p>  <p>1.5 Button Head 2*27</p>	<p>FTX-SBH051</p>  <p>2.0 Button Head 3*22</p>
<p>FTX-SBH050</p>  <p>2.0 Button Head 3*20</p>	<p>FTX-SBH046</p>  <p>2.0 Button Head 3*14</p>	<p>FTX-SBH006</p>  <p>1.5 Button Head 2*12</p>	<p>FTX-SBH043</p>  <p>2.0 Button Head 3*8</p>
<p>FTX-SBH042</p>  <p>2.0 Button Head 3*6</p>	<p>FTX-SBH023</p>  <p>1.5 Button Head 2.5*8</p>	<p>FTX-SBH022</p>  <p>1.5 Button Head 2.5*6</p>	<p>FTX-SBH003</p>  <p>1.5 Button Head 2*6</p>
<p>FTX-SBH001</p>  <p>1.5 Button Head 2*4</p>	<p>FTX9871</p>  <p>2.0 Flange Head Screws 3*4</p>	<p>FTX10033</p>  <p>Servo Horn</p>	<p>ET0017</p>  <p>Servo-6KG</p>
<p>FTX10061</p>  <p>FTX10061 Front Bumper</p>	<p>FTX10062</p>  <p>FTX10062 Rear Bumper</p>	<p>FTX10065</p>  <p>Front body grill & mount set</p>	<p>FTX10066</p>  <p>Rear body mount set & mirror</p>



SPARE PARTS LISTING

SPARE PARTS

 <p>FTX100670 – FTX10067BL</p> <p>Body: Orange – Blue</p>	 <p>FTX10068</p> <p>PVC Roof cover (White)</p>	 <p>FTX10069</p> <p>Roof rack assembly</p>	 <p>FTX10074</p> <p>Roof spot light housing</p>
 <p>FTX10071</p> <p>Indicator LED Lights</p>	 <p>FTX10072</p> <p>Main LED HeadLights</p>	 <p>ET1097/ ET1062</p> <p>Receiver/ Transmitter</p>	 <p>FTX9941</p> <p>Wire Head 2</p>
 <p>FTX8175D</p> <p>Battery (7.2v1500mAh)</p>	 <p>ET00226D</p> <p>USB Deans Plug 500mA charger</p>	 <p>FAST212BK</p> <p>R-Clip (Body)</p>	 <p>FTX10049</p> <p>Lamp Wire Clip</p>

Upgradable Optionals

 <p>FTX10073</p> <p>Roof Rack LED light set</p>	 <p>FTX9947</p> <p>Accessories Kit</p>	 <p>FTX9922</p> <p>Alloy Wheel Weight Set</p>	 <p>FTX9920BK</p> <p>Wheel (AL.) (PR)</p>
 <p>FTX9921BK</p> <p>Wheel (AL.) (PR)</p>	 <p>FTX9865</p> <p>Shock Absorbers (AL.)</p>	 <p>FTX8242</p> <p>Universal Drive Shaft(AL.)</p>	 <p>FTX8247</p> <p>Battery Tray (AL.)</p>
 <p>FTX8239</p> <p>Chassis Plate(AL.)</p>	 <p>FTX8243</p> <p>Chassis Frame Block(AL.)</p>	 <p>FTX8230</p> <p>Transmission Gear Housing Set(AL.)</p>	 <p>FTX10067C</p> <p>Clear lexan body</p>