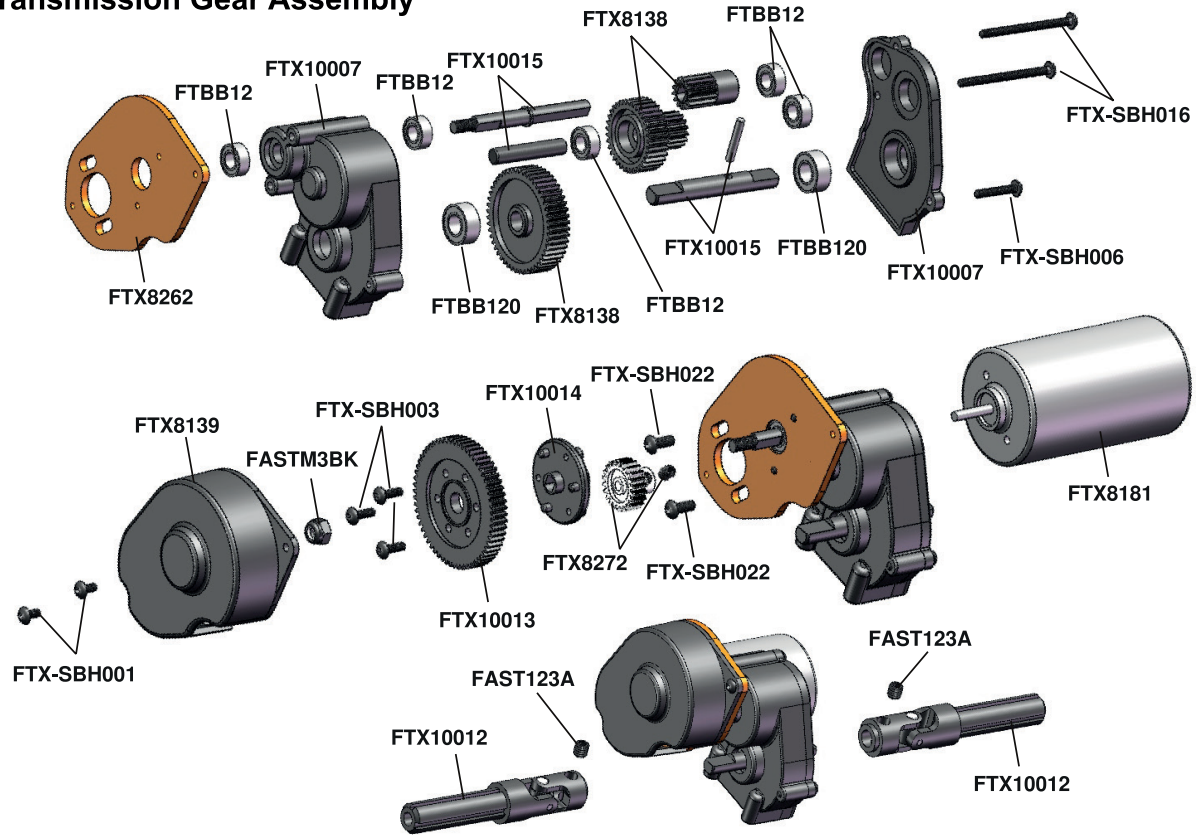


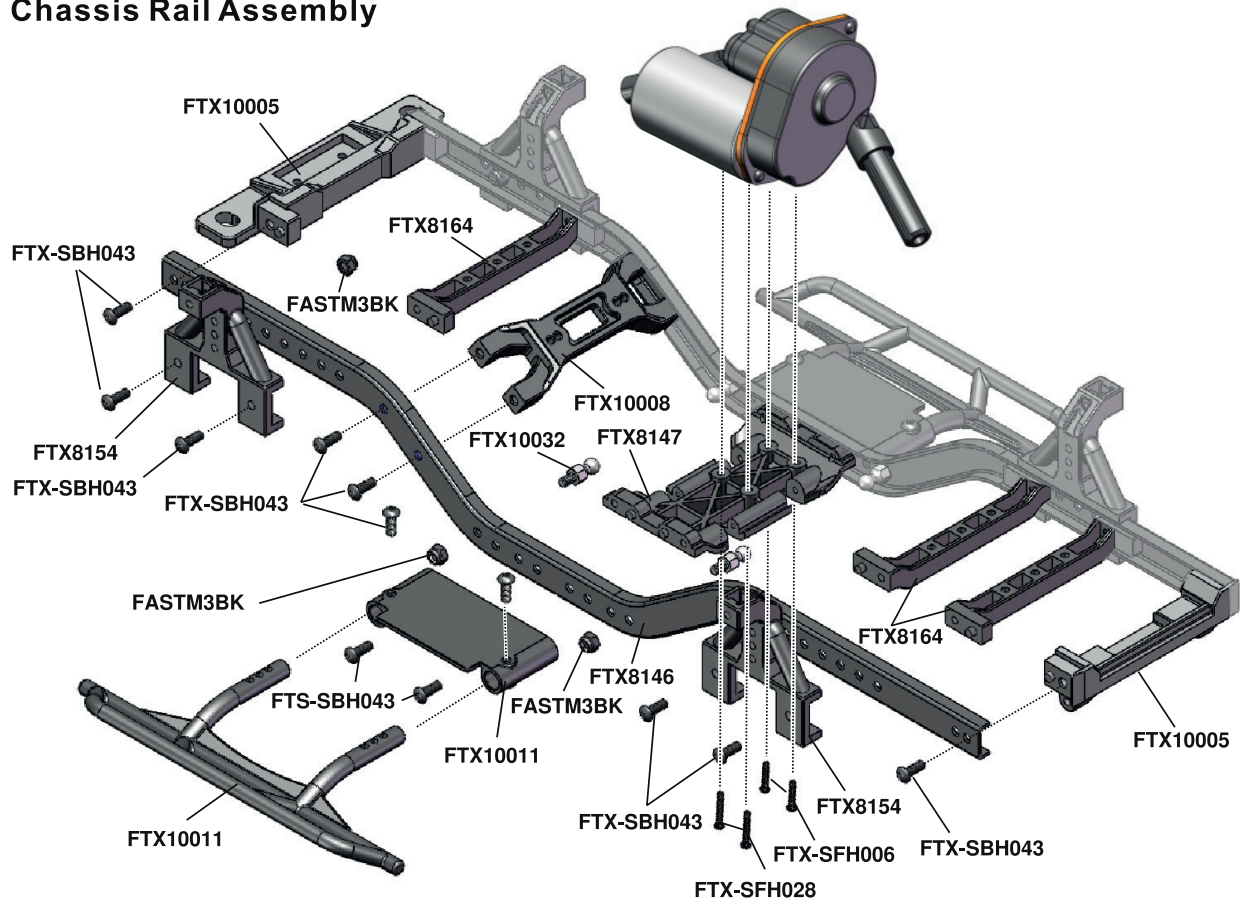


EXPLODED PARTS DIAGRAM

Transmission Gear Assembly



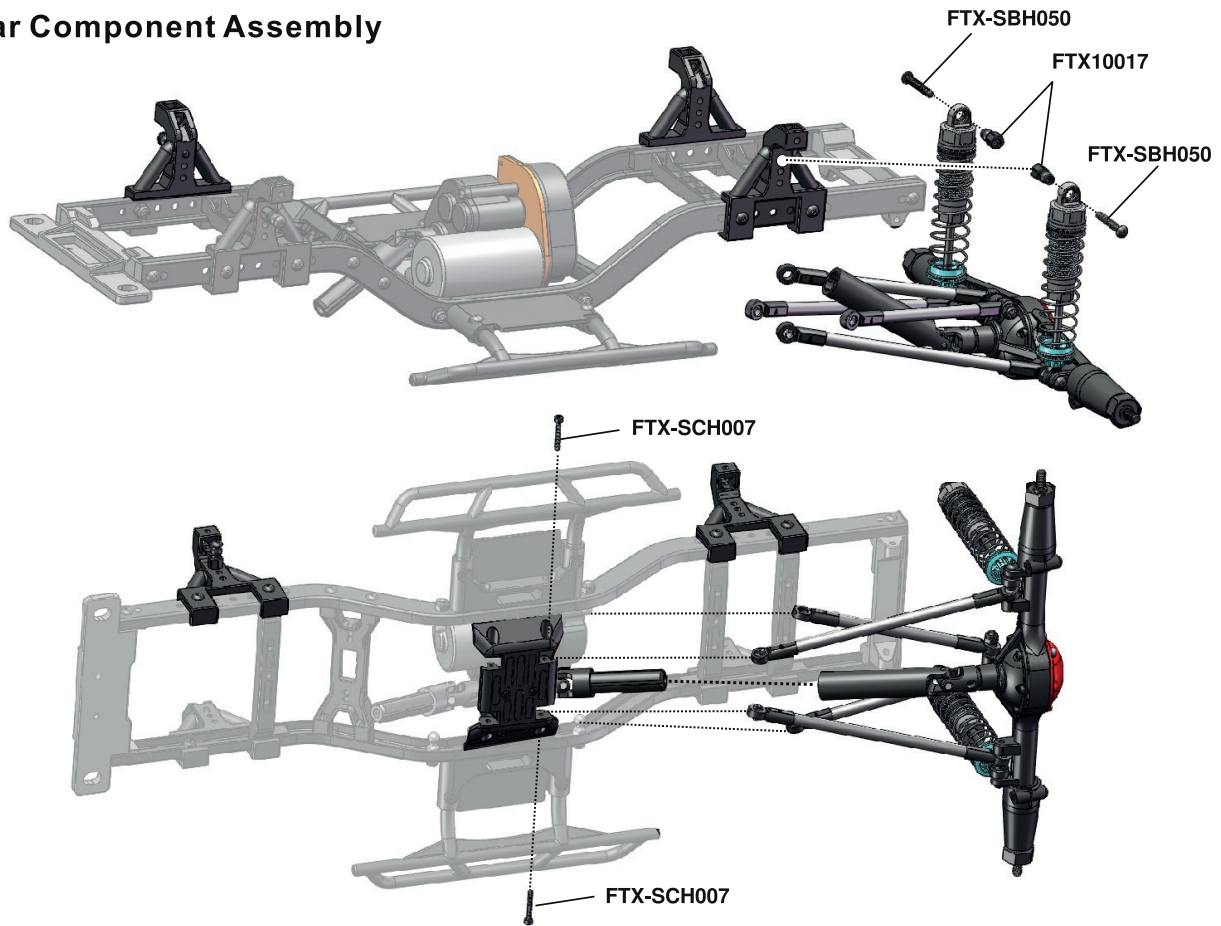
Chassis Rail Assembly



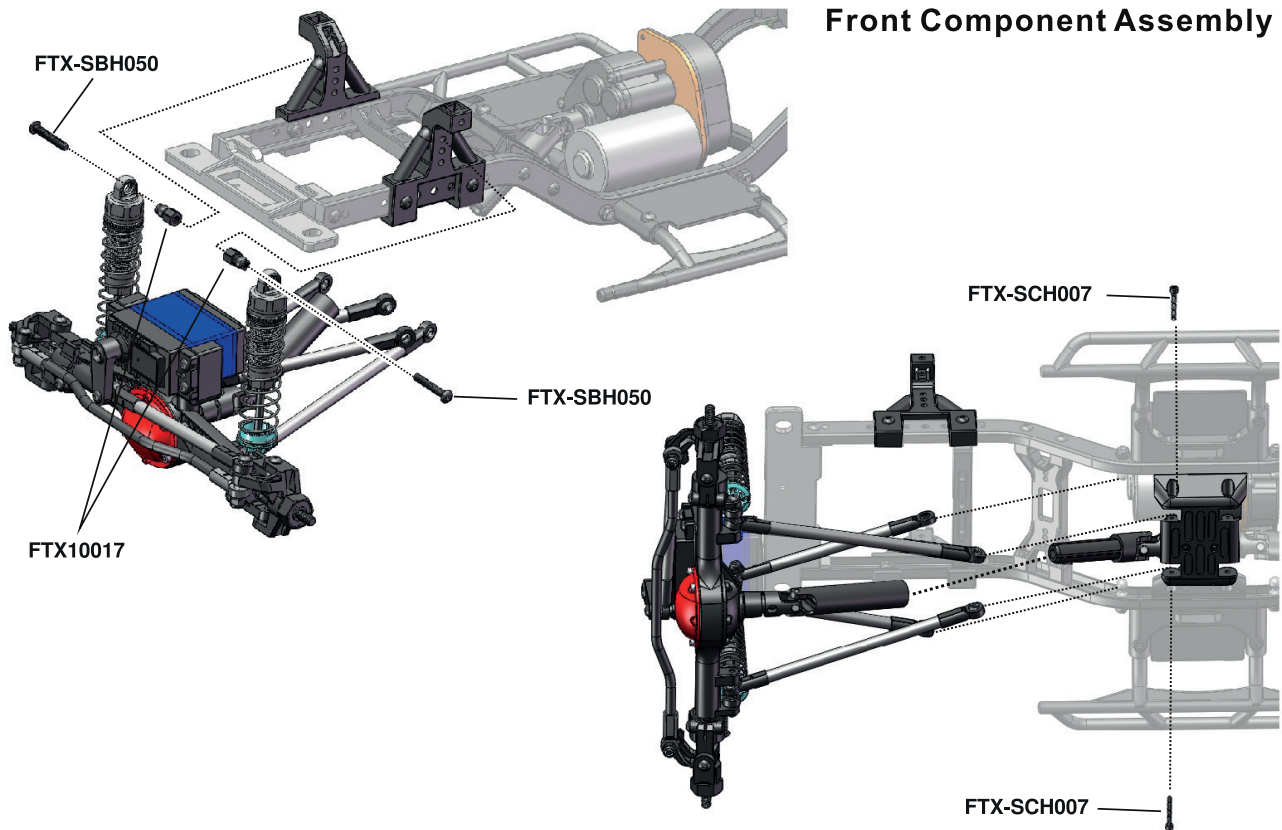


EXPLODED PARTS DIAGRAM

Rear Component Assembly



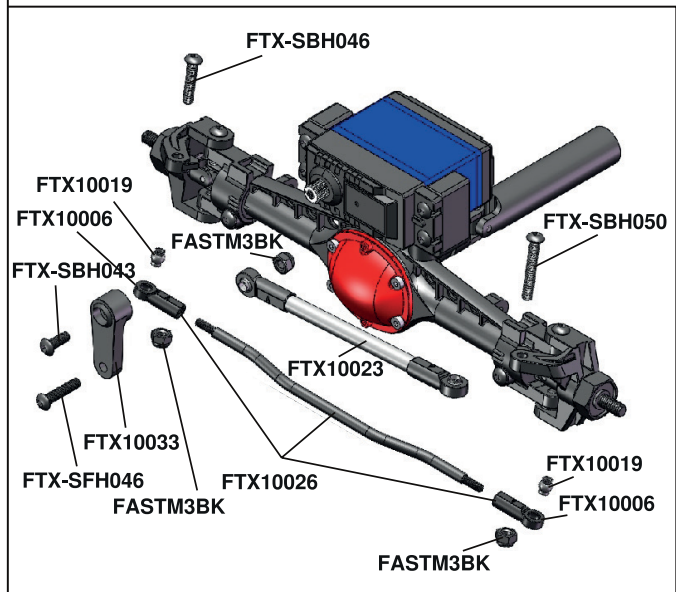
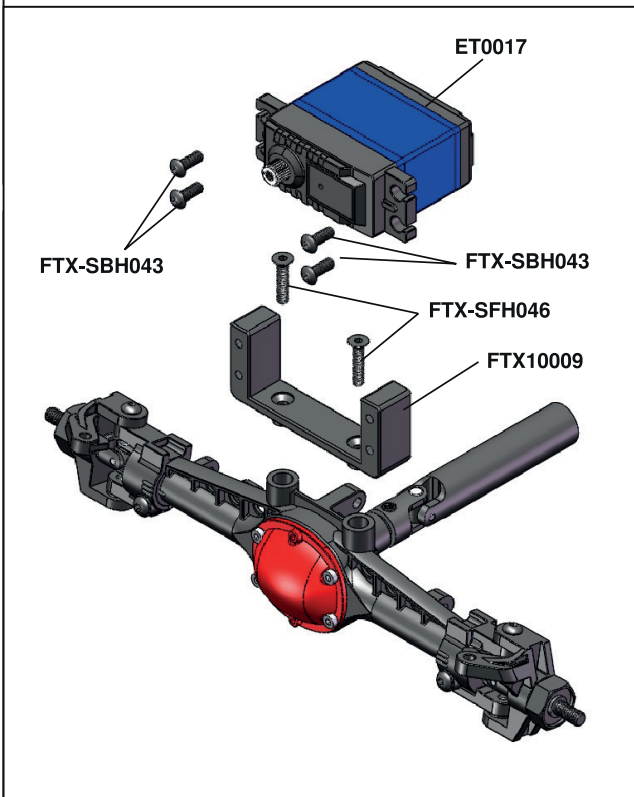
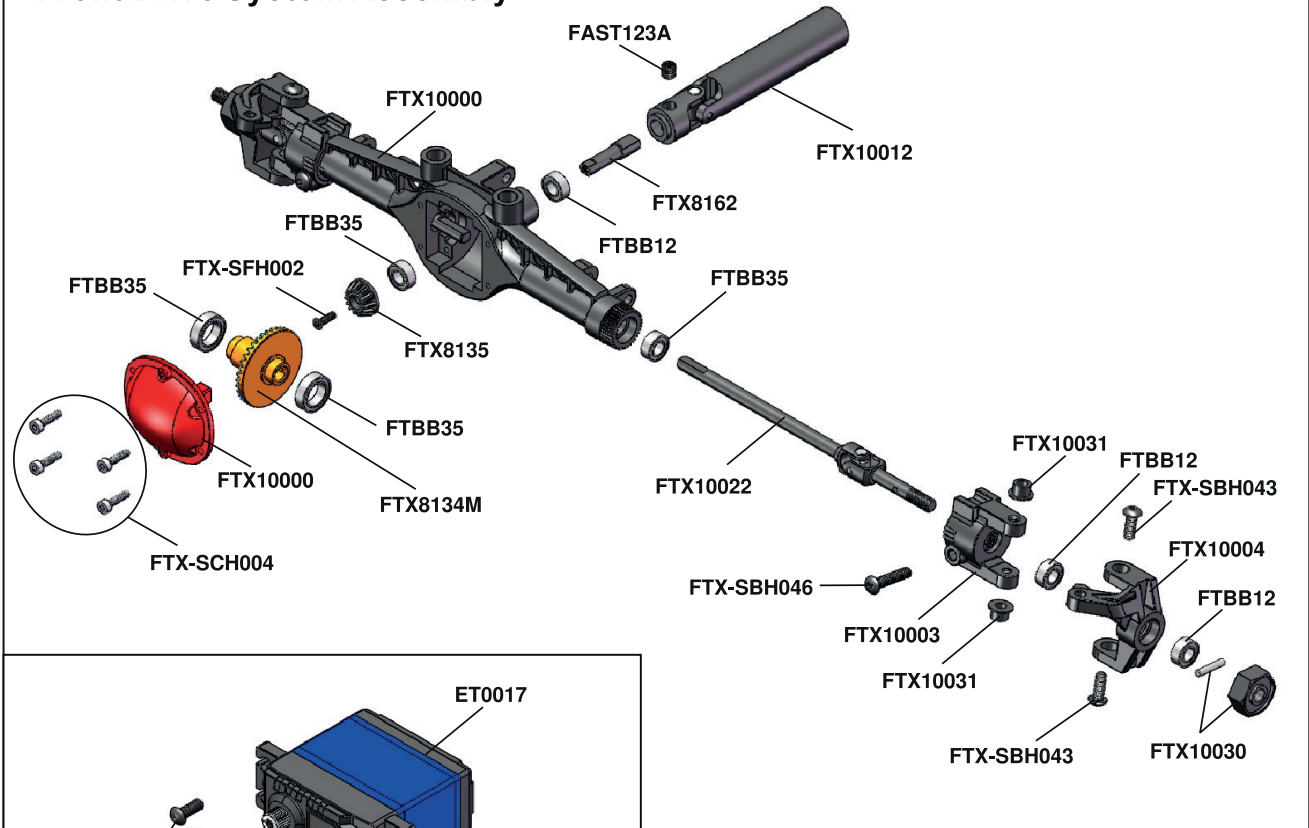
Front Component Assembly



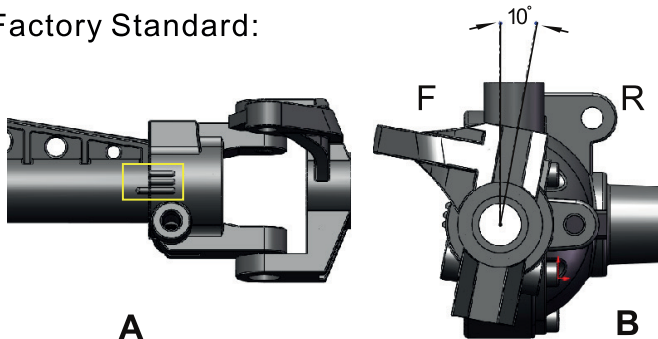


EXPLODED PARTS DIAGRAM

Front Drive System Assembly



Factory Standard:

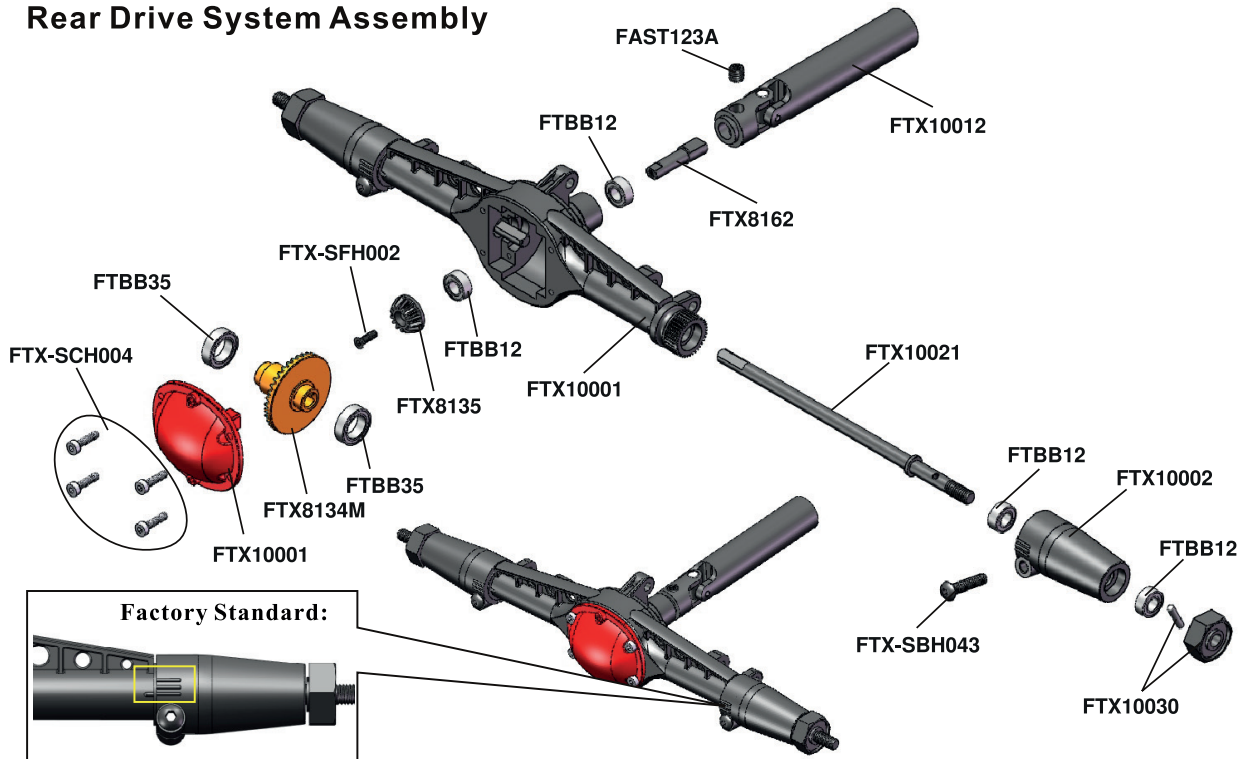


NOTE:
 Assemble the gearbox and the Caster,
 Align the gearbox scale with the
 lowest scale of Caster
 (as shown in Figure A)
 If incorrect, the car will move instability.

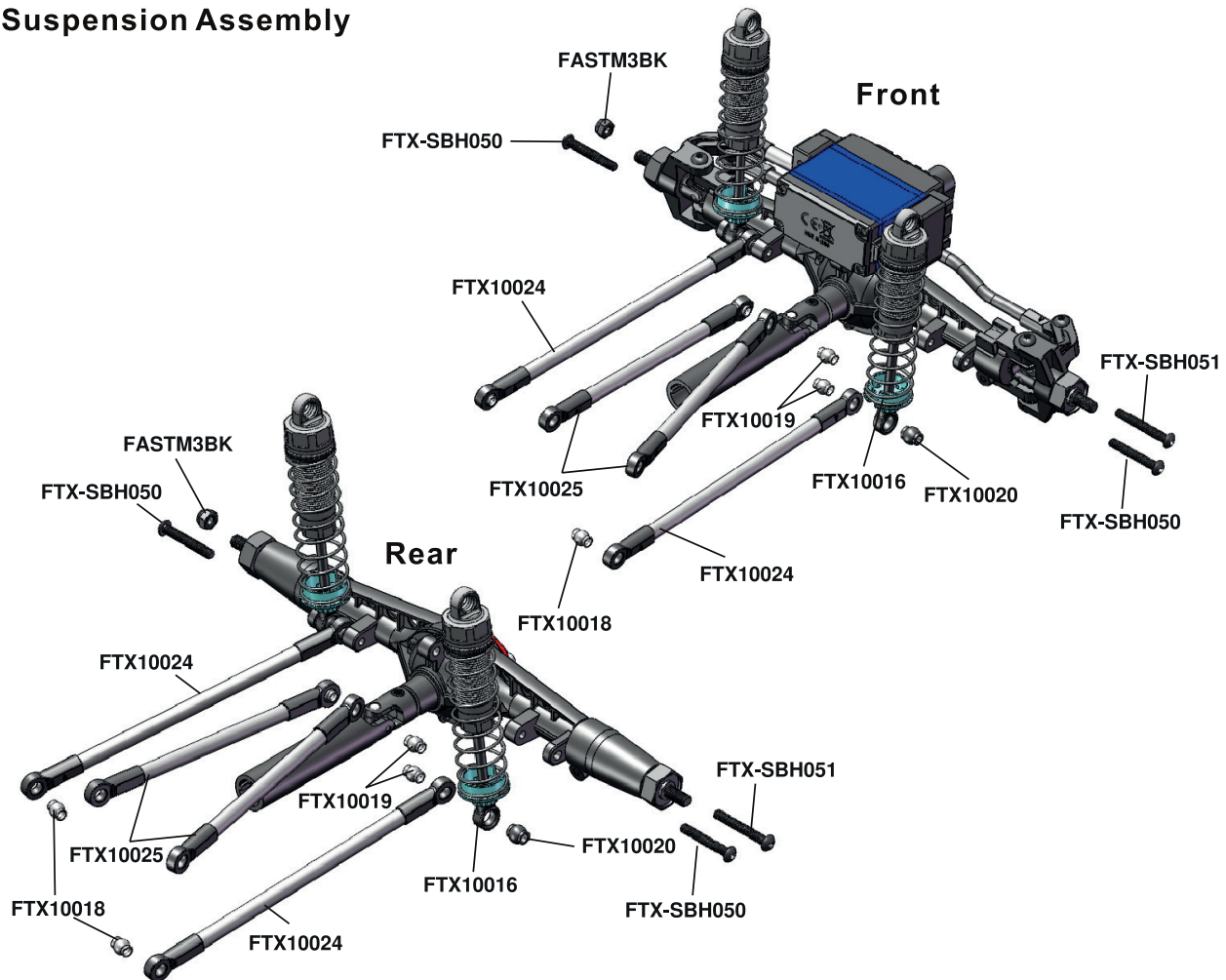


EXPLODED PARTS DIAGRAM

Rear Drive System Assembly



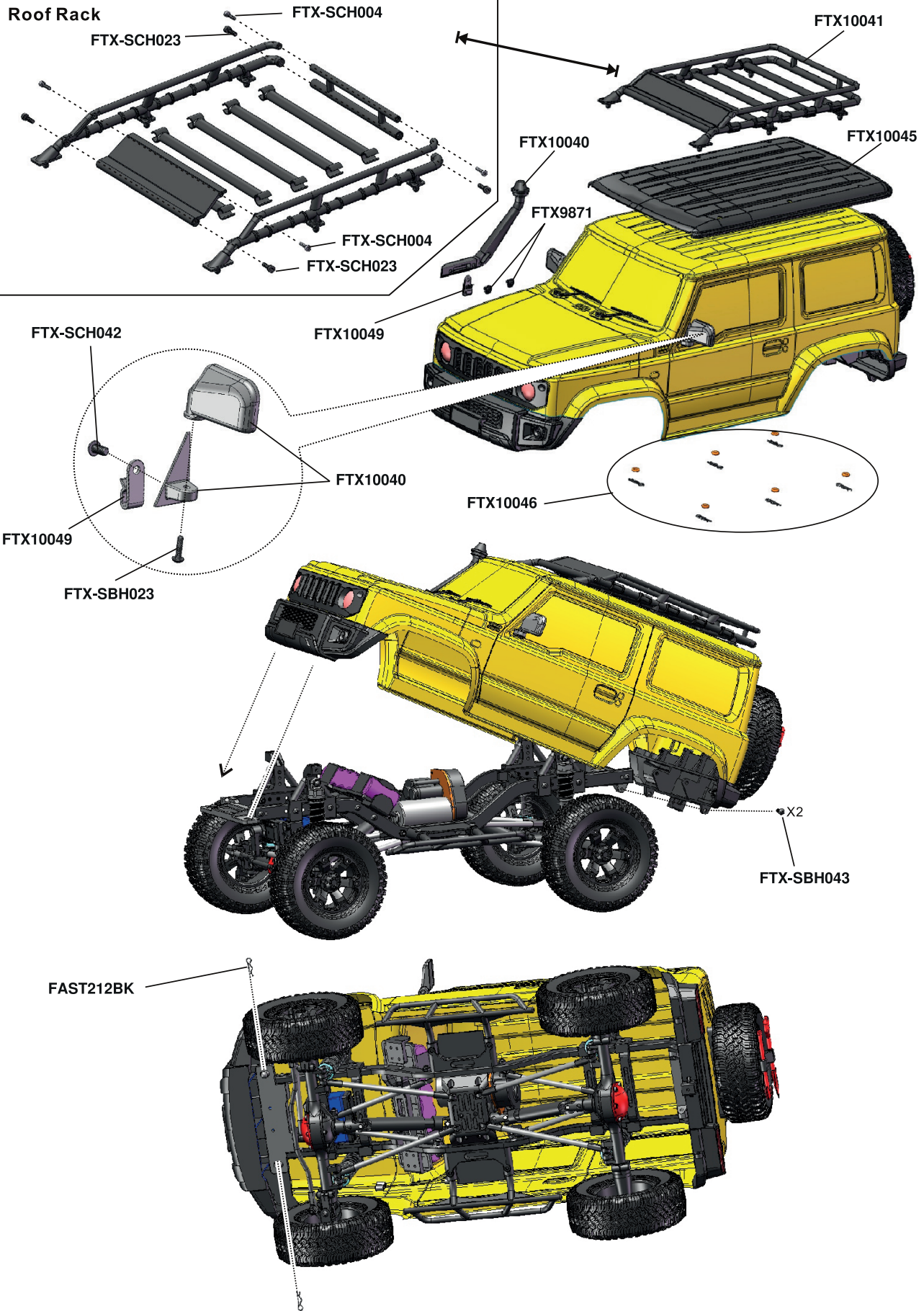
Suspension Assembly





EXPLODED PARTS DIAGRAM

Roof Rack





SPARE PARTS LISTING

SPARE PARTS

<p>FTX10000</p> <p>Gear Box/Housing (F)</p>	<p>FTX10001</p> <p>Gear Box/Housing (R)</p>	<p>FTX10002</p> <p>Rear Straight Axle</p>	<p>FTX10003</p> <p>Steering Hubs(L/R)</p>
<p>FTX10004</p> <p>Steering Hub Carriers(L/R)</p>	<p>FTX10005</p> <p>Bumper Mounts</p>	<p>FTX10006</p> <p>Ball Stud</p>	<p>FTX8147</p> <p>Chassis Plate</p>
<p>FTX10007</p> <p>Transmission Gear Housing Set</p>	<p>FTX8139</p> <p>Motor Cover</p>	<p>FTX10008</p> <p>Battery Mounts</p>	<p>FTX10009</p> <p>Servo Mount</p>
<p>FTX8164</p> <p>Chassis Frame Block</p>	<p>FTX10010</p> <p>Battery Tray+Batter Strap</p>	<p>FTX10011</p> <p>Side Skirt Protector Bar Set</p>	<p>FTX8154</p> <p>Shock Stay</p>
<p>FTX8146</p> <p>Chassis Rails</p>	<p>FTX10012</p> <p>Universal Drive Shaft</p>	<p>FTX8138</p> <p>(50T+14T+34T+16T) Transmission Metal Gear Set</p>	<p>FTX10013</p> <p>Main Gear 60T</p>
<p>FTX10014</p> <p>Main Gear Mount</p>	<p>FTX8135</p> <p>Drive Gear 14T</p>	<p>FTX8134M</p> <p>Crown Gear 38T</p>	<p>FTX10015</p> <p>Gear Shaft Set</p>
<p>FTX8162</p> <p>Drive Gear Shaft</p>	<p>FTX10016</p> <p>Shock Absorbers</p>	<p>FTX10017</p> <p>Ball Stand 1</p>	<p>FTX10018</p> <p>Ball Stand 2</p>































SPARE PARTS

<p>FTX10019</p>  <p>Ball Stand 3</p>	<p>FTX10020</p>  <p>Ball Stand 4</p>	<p>FTX10021</p>  <p>Rear Shaft</p>	<p>FTX10022</p>  <p>CVA Drive Shaft</p>
<p>FTX10023</p>  <p>Servo link</p>	<p>FTX10024</p>  <p>Upper Link</p>	<p>FTX10025</p>  <p>Lower Link</p>	<p>FTX10026</p>  <p>Steering Link</p>
<p>FTX10027</p>  <p>2.5 X 12P 2.5 X 11 X 12P Wheel Rim (PR)</p>	<p>FTX10028</p>  <p>Tire W/Foam (PR)</p>	<p>FTX10029</p>  <p>Wheel Complete (PR)</p>	<p>FTX10030</p>  <p>Wheel Hex/Pin</p>
<p>FTX8262</p>  <p>Motor Mount</p>	<p>FTX8181</p>  <p>Motor (RC390)</p>	<p>FTX8272</p>  <p>Pinion Gear 22T</p>	<p>FTBB35</p>  <p>Ø7*Ø11*3mm Ball Bearing 1pc</p>
<p>FTBB120</p>  <p>Ø5*Ø10*4mm Ball Bearing 1pc</p>	<p>FTBB12</p>  <p>Ø4*Ø8*3mm Ball Bearing 1pc</p>	<p>FTX10031</p>  <p>King Pin Bushing</p>	<p>FTM4BK</p>  <p>Flange Nut M4</p>
<p>FASTM4BK</p>  <p>Nylon Nut M4</p>	<p>FASTM3BK</p>  <p>Nylon Nut M3</p>	<p>FTX9894</p>  <p>Grub Screw Bolt 4*25</p>	<p>FAST123A</p>  <p>Grub Hex Screw M4*4</p>
<p>FAST122</p>  <p>Grub Hex Screw M3*3</p>	<p>FTX10032</p>  <p>Ball Stand Screw Ø4.0</p>	<p>FTX-SCH004</p>  <p>1.5 Cap Head 2*8</p>	<p>FTX-SCH002</p>  <p>1.5 Cap Head 2*5</p>





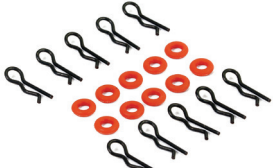



SPARE PARTS

<p>FTX-SCH023</p>  <p>2.0 Cap Head 2.5*8</p>	<p>FTX-SCH007</p>  <p>1.5 Cap Head 2*14</p>	<p>FTX-SCH025</p>  <p>2.0 Cap Head 2.5*11</p>	<p>FTX-SFH046</p>  <p>2.0 Flat Head 3*14</p>
<p>FTX-SFH044</p>  <p>2.0 Flat Head 3*10</p>	<p>FTX-SCH043</p>  <p>2.0 Flat Head 3*8</p>	<p>FTX-SFH042</p>  <p>2.0 Flat Head 3*6</p>	<p>FTX-SFH006</p>  <p>1.5 Flat Head 2*12</p>
<p>FTX-SFH028</p>  <p>2.0 Flat Head 2.5*15</p>	<p>FTX-SFH002</p>  <p>1.5 Flat Head 2*5</p>	<p>FTX-SBH016</p>  <p>1.5 Button Head 2*27</p>	<p>FTX-SBH051</p>  <p>2.0 Button Head 3*22</p>
<p>FTX-SBH050</p>  <p>2.0 Button Head 3*20</p>	<p>FTX-SBH046</p>  <p>2.0 Button Head 3*14</p>	<p>FTX-SBH006</p>  <p>1.5 Button Head 2*12</p>	<p>FTX-SBH043</p>  <p>2.0 Button Head 3*8</p>
<p>FTX-SBH042</p>  <p>2.0 Button Head 3*6</p>	<p>FTX-SBH023</p>  <p>1.5 Button Head 2.5*8</p>	<p>FTX-SBH022</p>  <p>1.5 Button Head 2.5*6</p>	<p>FTX-SBH003</p>  <p>1.5 Button Head 2*6</p>
<p>FTX-SBH001</p>  <p>1.5 Button Head 2*4</p>	<p>FTX9871</p>  <p>2.0 Flange Head Screws 3*4</p>	<p>FTX10033</p>  <p>Servo Horn</p>	<p>ET0017</p>  <p>Servo-6KG</p>
<p>ET1097</p> 	<p>ET1062</p> 	<p>FTX10040</p>  <p>Snorkel, Rear-view Mirrors, Wipers, Spade/Axe, Spare Wheel Holder</p>	<p>FTX10041</p>  <p>Roof Rack</p>



SPARE PARTS LISTING

SPARE PARTS

<p>FTX10042</p>  <p>Front Bumper/Light Stand</p>	<p>FTX10043</p>  <p>Rear Bumper</p>	<p>BODY</p> <p>FTX10044Y FTX10044BL FTX10044GN</p> 	<p>FTX10045</p>  <p>PVC Roof Cover (Black)</p>
<p>FTX9940</p>  <p>R-Clip /O-Ring</p>	<p>FTX10047</p>  <p>Cornering Light (L/R)</p>	<p>FTX10048</p>  <p>Angle Eye Function LED Light</p>	<p>FTX9941</p>  <p>Wire Head 2</p>
<p>FTX8175D</p>  <p>Battery (7.2v1500mAh)</p>	<p>ET00226D</p>  <p>USB Deans Plug 500mA charger</p>	<p>FAST212BK</p>  <p>R-Clip (Body)</p>	<p>FTX10049</p>  <p>Lamp Wire Clip</p>

Upgradable Optionals

<p>FTX10070</p>  <p>Adjustable LED Lamp</p>	<p>FTX9947</p>  <p>Accessories Kit</p>	<p>FTX9922</p>  <p>Alloy Wheel Weight Set</p>	<p>FTX9920BK</p>  <p>Wheel (AL.) (PR)</p>
<p>FTX9921BK</p>  <p>Wheel (AL.) (PR)</p>	<p>FTX9865</p>  <p>Shock Absorbers (AL.)</p>	<p>FTX8242</p>  <p>Universal Drive Shaft(AL.)</p>	<p>FTX8247</p>  <p>Battery Tray (AL.)</p>
<p>FTX8239</p>  <p>Chassis Plate(AL.)</p>	<p>FTX8243</p>  <p>Chassis Frame Block(AL.)</p>	<p>FTX8230</p>  <p>Transmission Gear Housing Set(AL.)</p>	<p>FTX10044C</p> 