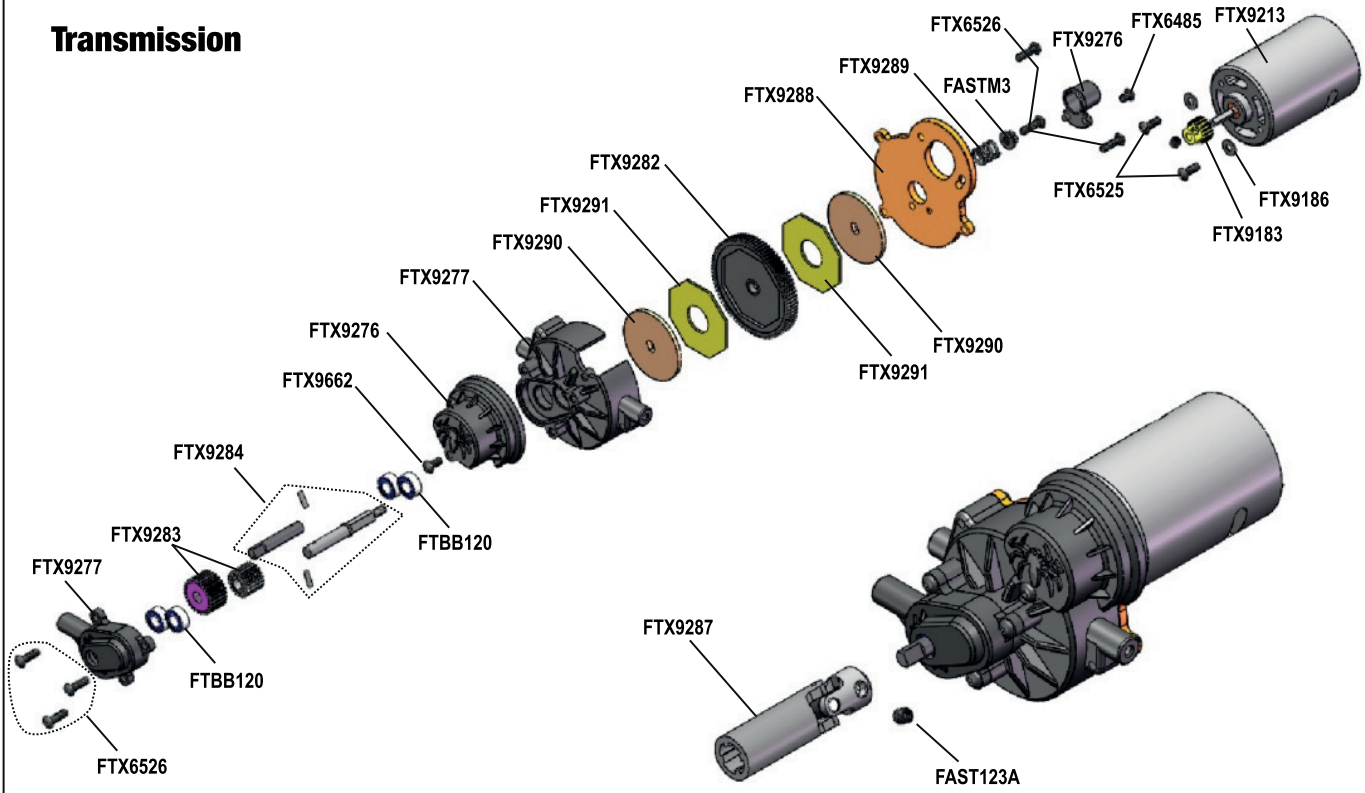


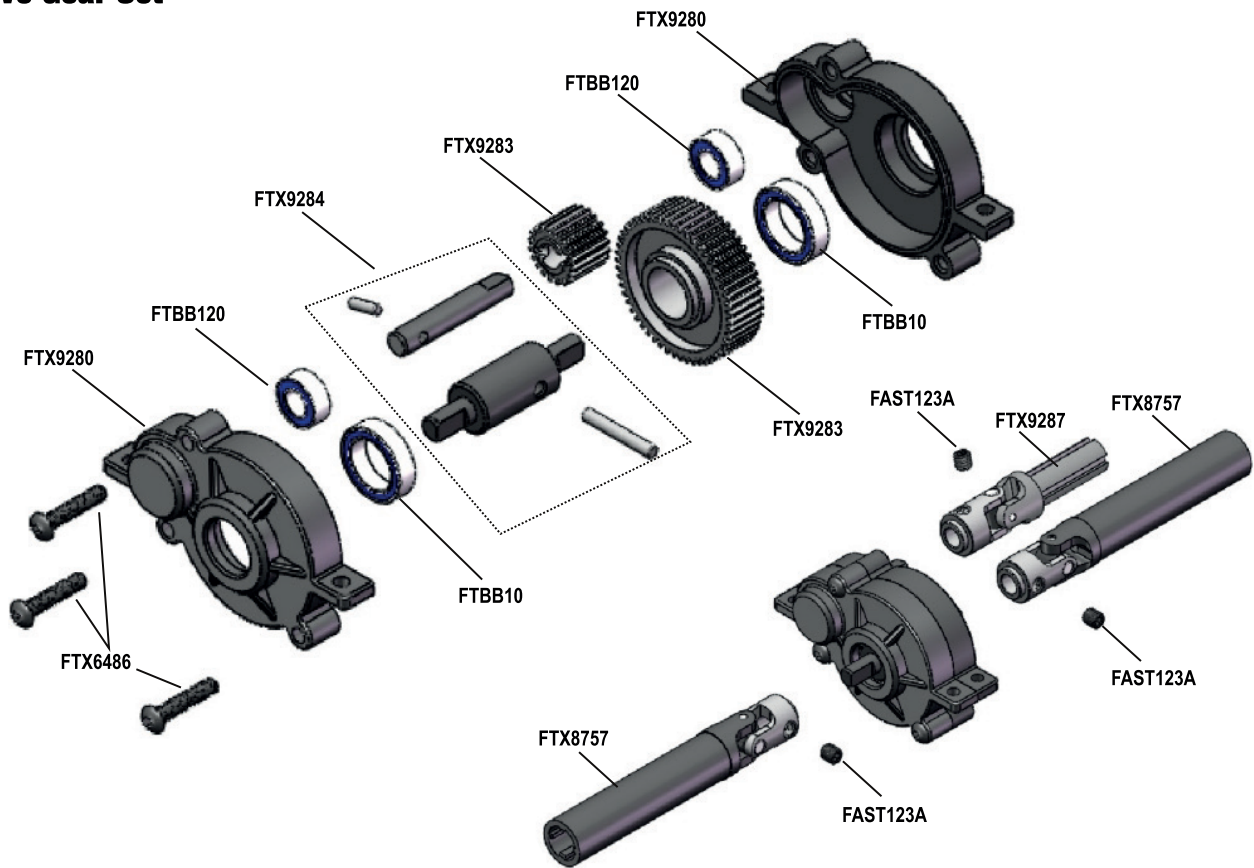


FTX OUTBACK HI-ROCK EXPLODED PARTS DIAGRAM

Transmission

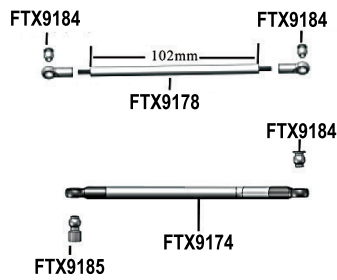


Drive Gear Set

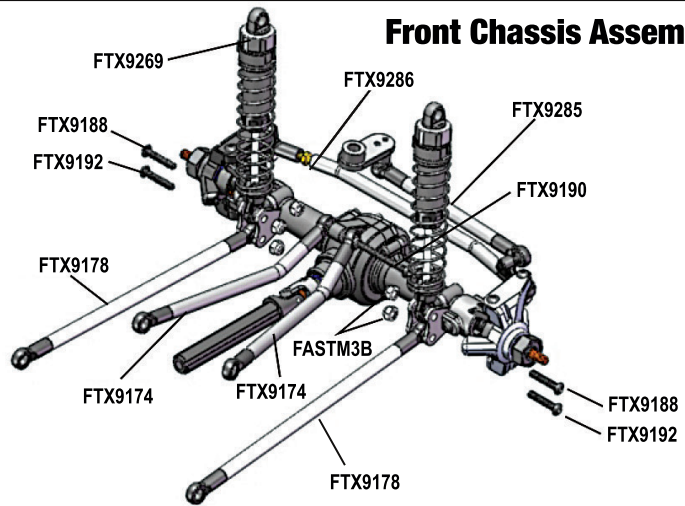




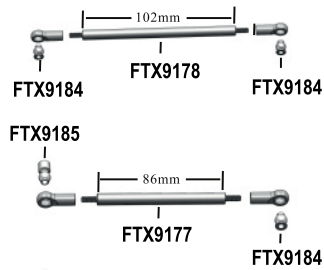
Front Chassis Assembly



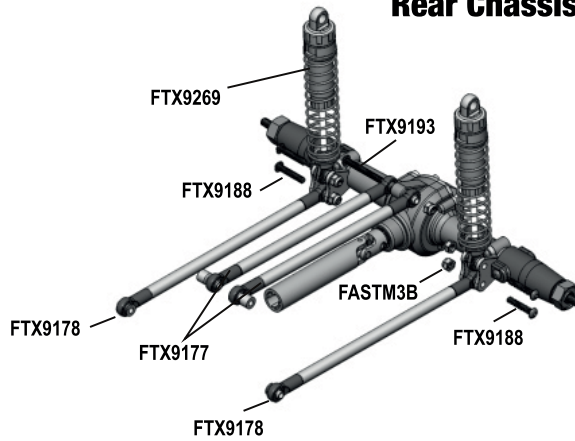
- FTX9188 3x16 x4 pcs
- FTX9190 3x20 x1 pcs
- FASTM3B M3 x5 pcs



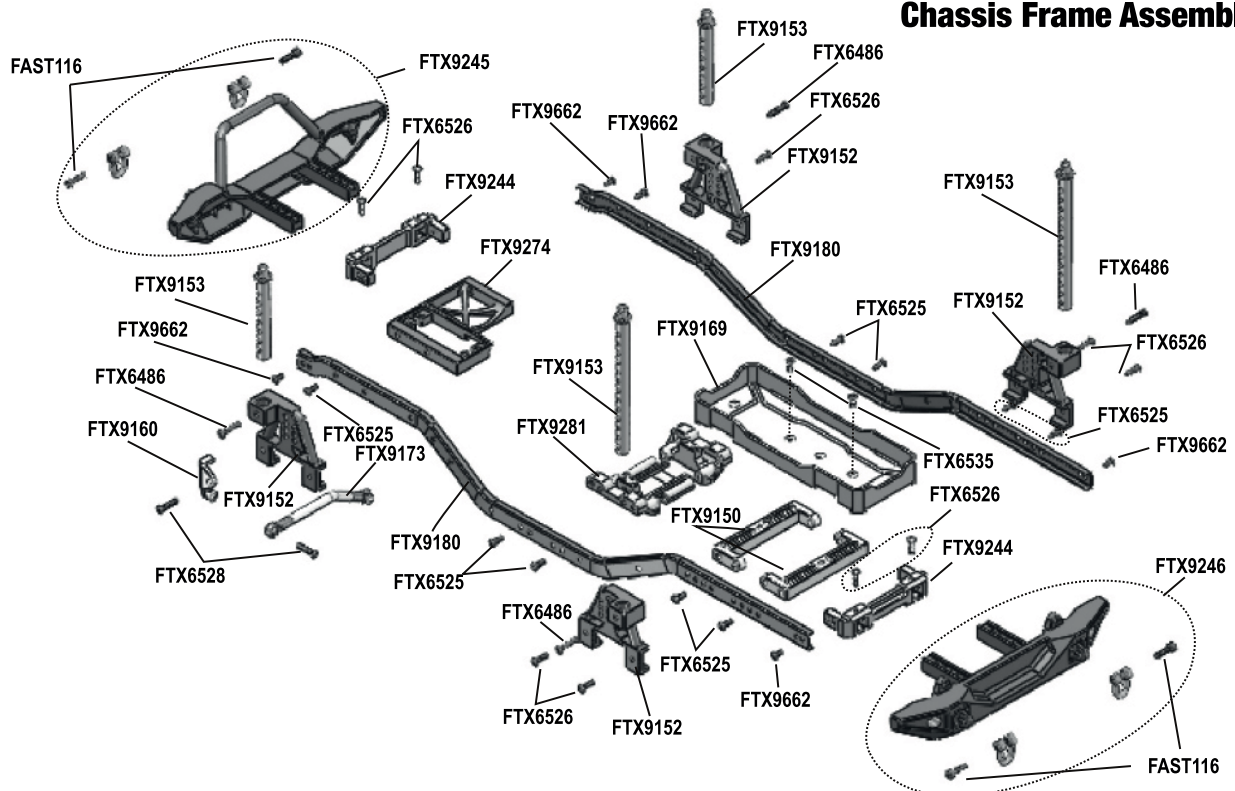
Rear Chassis Assembly



- FTX9188 3x16 x4 pcs
- FTX9193 3x28 x1 pcs
- FASTM3B M3 x5 pcs

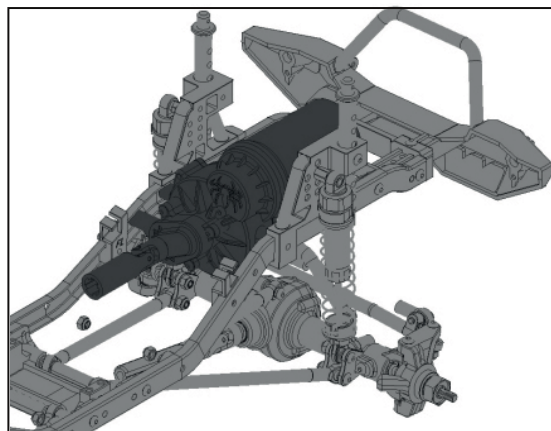
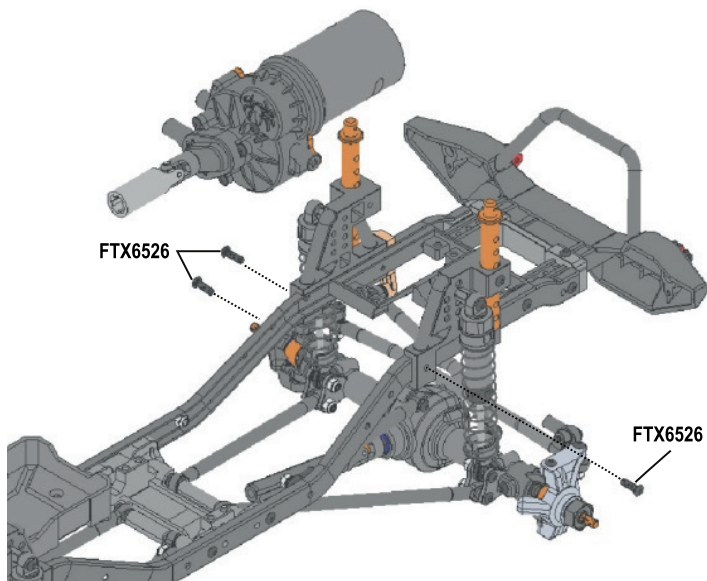


Chassis Frame Assembly

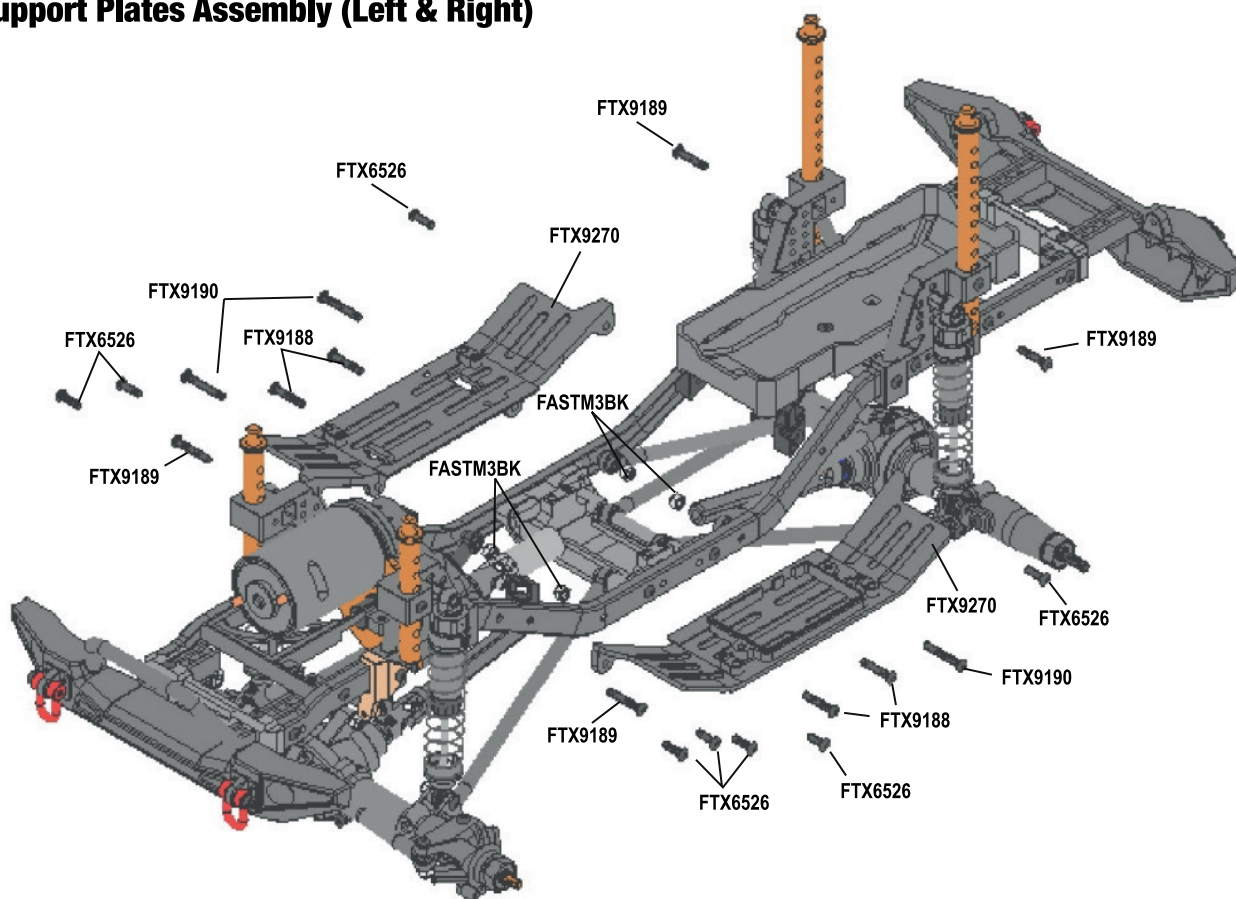




Transmission/Motor Installation

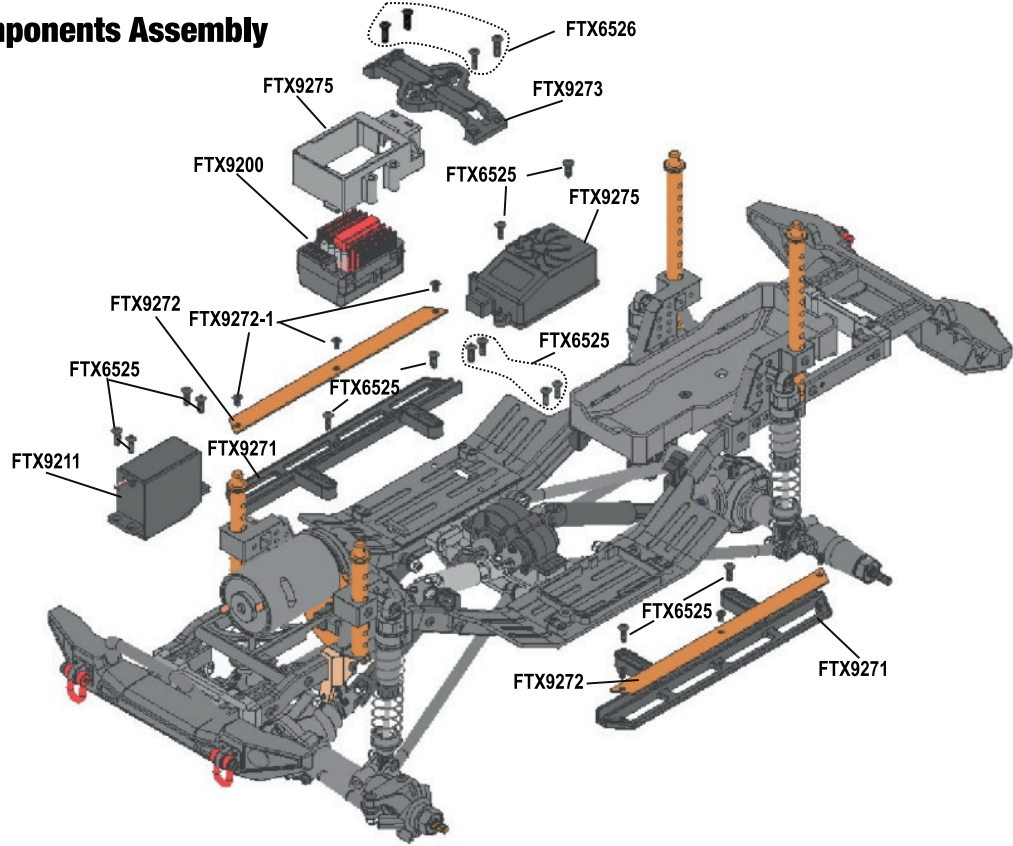


Support Plates Assembly (Left & Right)

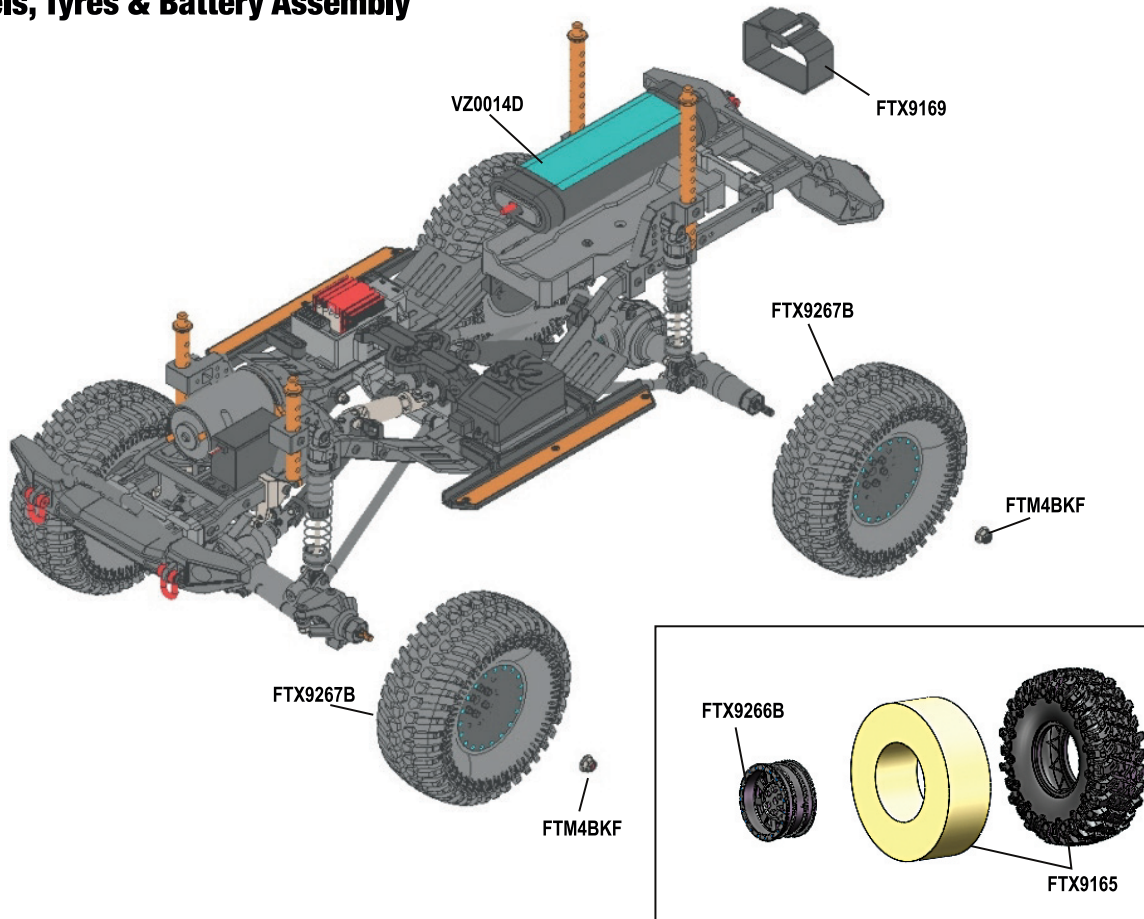




Electric Components Assembly



Wheels, Tyres & Battery Assembly





FTX OUTBACK HI-ROCK PARTS LISTING

LENGTH	WIDTH	HEIGHT	WHEEL BASE	DIAMETER OF WHEEL	WIDTH OF WHEEL	GEAR RATIO	SERVO	WEIGHT
560mm	240mm	240mm	313mm	120mm	45mm	54:1	15kg	2600g

Spare Parts

FTX9244 – Bumper Mounts 	FTX9270 – Side plate(L/R) 	FTX9271 – Footplate 	FTX9272 – Footplate Spacer 	FTX9245 – Front Bumper 
FTX9246 – Rear Bumper  <p>3*12</p>	FTX9273 – ESC Cable Bridge 	FTX9274 – Servo Mount 	FTX9275 – Receiver Cover & ESC Protection Holder 	FTX9276 – Motor Cover Slipper Cover 
FTX9277 – Rear Bumper 	FTX9278 – Steering Knuckles 	FTX9279 – Cable Clip 	FTX9280 – Distribution Housing 	FTX9169 – Battery Tray & Battery Straps 
FTX9281 – Chassis Plate 	FTX9150 – ESC/battery Tray mounts 	FTX8772 – Rear Straight Axle Cover 	FTX8753 – Caster Mounts (L/R) 	FTX9157 – Front/Rear Gear Box 
FTX9152 – Front/Rear Shock Body mounts 	FTX9282 – Main Gear 81T 	FTX9183 – Pinion Gear (14T) 	FTX9167 – LED Light Clip  <p>Hex 2x6</p>	FTX9161 – Differential Box 
FTX9153 – Body Post F/R 	FTX9283 – Transmission Gear Set (20T+28T+53T) 	FTX9164 – Crown Gear (40T) 	FTX9163 – Drive Gear 	FTX9284 – Gear Shaft Set 
FTX9171 – Solid Axle Hub 	FTX9285 – Servo Link (55mm) 	FTX9173 – Panhard bar 	FTX9174 – Front Upper Link (75mm) 	FTX9175 – Rear Shaft 



















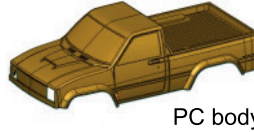

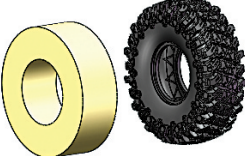
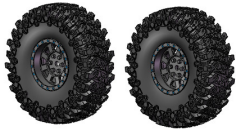
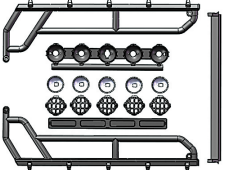


Spare Parts



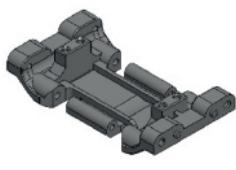

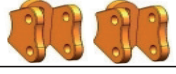



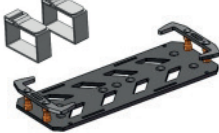
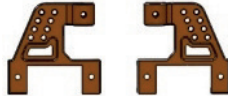


<p>FTX9215 – CVD Central Drive Shaft</p>	<p>FTX9177 – Rear Upper Link (86mm)</p>	<p>FTX9178 – Rear Lower Link (102mm)</p>	<p>FTX9286 – Steering Link</p>	<p>FTX9180 – Chassis Rails</p>
<p>FTX9287 – Universal Drive Joint shaft</p>	<p>FTX8757 – Centre Telescopic driveshaft</p>	<p>FTX9160 – Link Mount Sct</p>	<p>FTX9288 – Motor Mount</p>	<p>FTX8792 – King Pin Bushing (8 off)</p>
<p>FTBB10 – Ball Bearing 15 x 10 x 4mm</p>	<p>FTX8757 – FTBB120 Ball Bearing 10 x 4 x 4mm</p>	<p>FTX9184 – Pivot Balls ø5.9 Short (8pc)</p>	<p>FTX9185 – Pivot Balls ø5.9 Long (8pc)</p>	<p>FTX9168 – Wheel Hex w/2x10 Pins (4pc)</p>
<p>FASTM3BK – Nylon Nut M3</p>	<p>FTM4BKF – Flange M4 Lock Nut</p>	<p>FAST122 – Grub Hex Screw (M3x3)</p> <p>FAST123A – Grub Hex Screw M4x4</p>	<p>FTX9186 – Servo Washers (Ø3x8x0.8mm)</p>	<p>FASTM3BKF – Flange Nut M3</p>
<p>FTX9187 – Gasket</p>	<p>FTX9289 – Slipper Spring</p>	<p>FTX9290 – Slipper Plate</p> <p>FTX9291 – Slipper Spacer</p>	<p>FTX9292 – Ball Stand (Ø5.9) (6 off)</p>	<p>FTX9192 – Button Head 3x25 Metric Hex Screw (8 off)</p>
<p>FTX6528 – Button Head 3x14 Metric Hex Screw (8 off)</p>	<p>FTX9188 – Button Head 3x16 Metric Hex Screw (8 off)</p>	<p>FTX9189 – Button Head Metric Hex Screw (8 off)</p>	<p>FTX9190 – Button Head Metric Hex Screw (8 off)</p>	<p>FTX9662 – Cap Head Hex Machine Screw 3x6 (8 off)</p>
<p>FTX6525 – Button Head 3x8 Metric Hex Screw (8 off)</p>	<p>FTX9193 – Button Head 3x28 Metric Hex Screw (8 off)</p>	<p>FTX6535 – Flat Head Hex 3x8 Machine Screw (8 off)</p>	<p>FTX9272-1 – Flat Head Hex Metric Hex Screw (8 off)</p>	<p>FTX9195 – Column Head Hex Machine Screw 2.5x10 (8 off)</p>



Spare Parts

<p>FTX9194 – Column Head Hex Self-tapping Screw 2.5x8</p> 	<p>FTX6526 – Button Head 3x10 Metric Hex Screw (8 off)</p> 	<p>FTX6485 – Button Head Hex Screw 3x4</p> 	<p>FTX6486 – Button Head Hex Screw 3x15</p> 	<p>FAST116 – Column Head Hex Screw 3x12</p> 
<p>FTX9269 – Shock Absorbers</p> 	<p>FTX9211 – Servo 15kg</p>  <p>FTX9241 – Servo Horn</p> 	<p>FTX9213 – Motor (RC550 – 17T)</p> 	<p>FTX9200 – ESC</p> 	<p>VZ0014D – Battery Ni-MH (7.2V 2400mAh)</p> 
<p>FTX9204 – Body Shell Light</p> 	<p>FTX9268 – Front & Rear Bumper LED Wires</p> 	<p>FTX9202 – Y Lead</p>  <p>FTX9214 – Winch Controller</p> 	<p>FTX9265C – Rear Mirror & Wiper Set</p> 	<p>FTX9265B – Snorkel</p> 
<p>FTX9265A – Body Shell Light</p> 	<p>FTX9264GY (Grey) FTX9264C (Clear)</p>  <p>PC body</p>	<p>FTX9266B – Wheel (pr)</p> 	<p>FTX9165 – Tyre with foam insert</p> 	<p>FTX9267B – Premounted Tyre & Wheel Set (L/R)</p> 
<p>FTX9265D – Body Part D - Roof Light Bar & Rear Cage</p> 				

Upgrade Options

<p>FTX9220 – Aluminium shocks (pr)</p> 	<p>FTX9221 – Portal Axle Box Cover (Red) (Al.) FTX9221S – (Silver)</p> 	<p>FTX9295 – Chassis Plate (Al.)</p> 	<p>FTX9239 – Straight Axle Mount</p> 	<p>FTX9224 – Mount for Link (Al.)</p>  <p>FTX9225 – Sway Bar Lower Mount (Al.)</p> 
<p>FTX9232 – Caster Mounts (L/R) (Al.)</p> 	<p>FTX9226 – Sway Bar Upper Mount (Al.)</p> 	<p>FTX9248 – Battery Tray & Battery Strap</p>  <p>Carbon Fiber</p>	<p>FTX9228 – Front/Rear body Plates (Al.)</p> 	<p>FTX9296 – Distribution Housing (Al.)</p> 
<p>FTX9227 – Rear Straight Axle Cover (Al.)</p> 	<p>FTX9299 – Steering Mount (Al.)</p> 