

USER'S GUIDE

14+
AGES

R/C FULLY FUNCTIONAL PROFESSIONAL EXCAVATOR MODEL

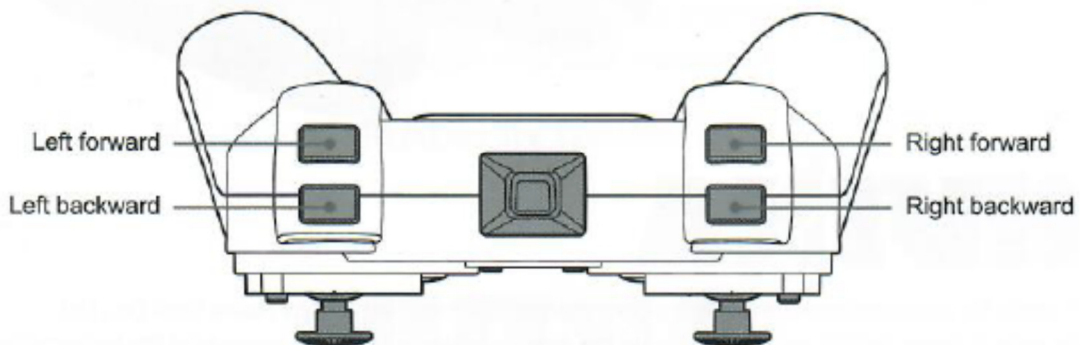
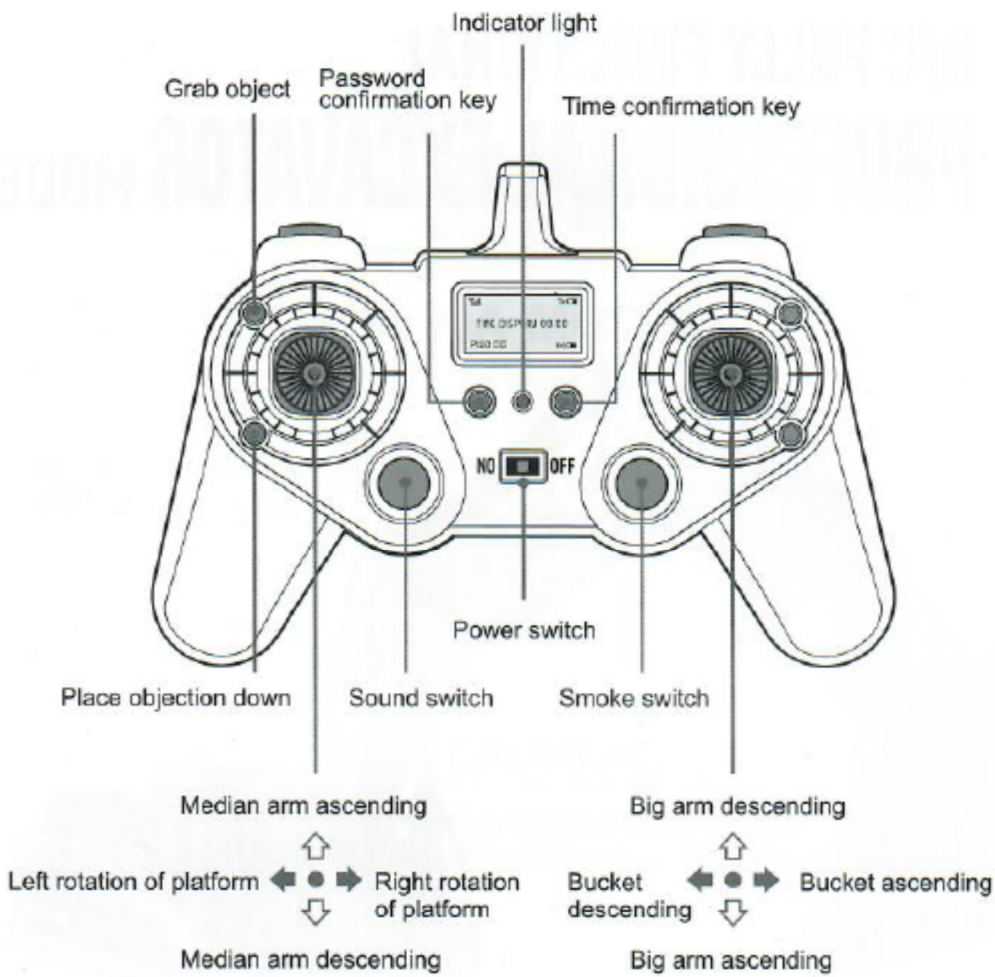


HUINA

Thanks for your purchasing the remote-controlled model manufactured by Huina Toys Co., Ltd..
In order to more rapidly and freely operate the remote-controlled model, please read the instructions before usage.

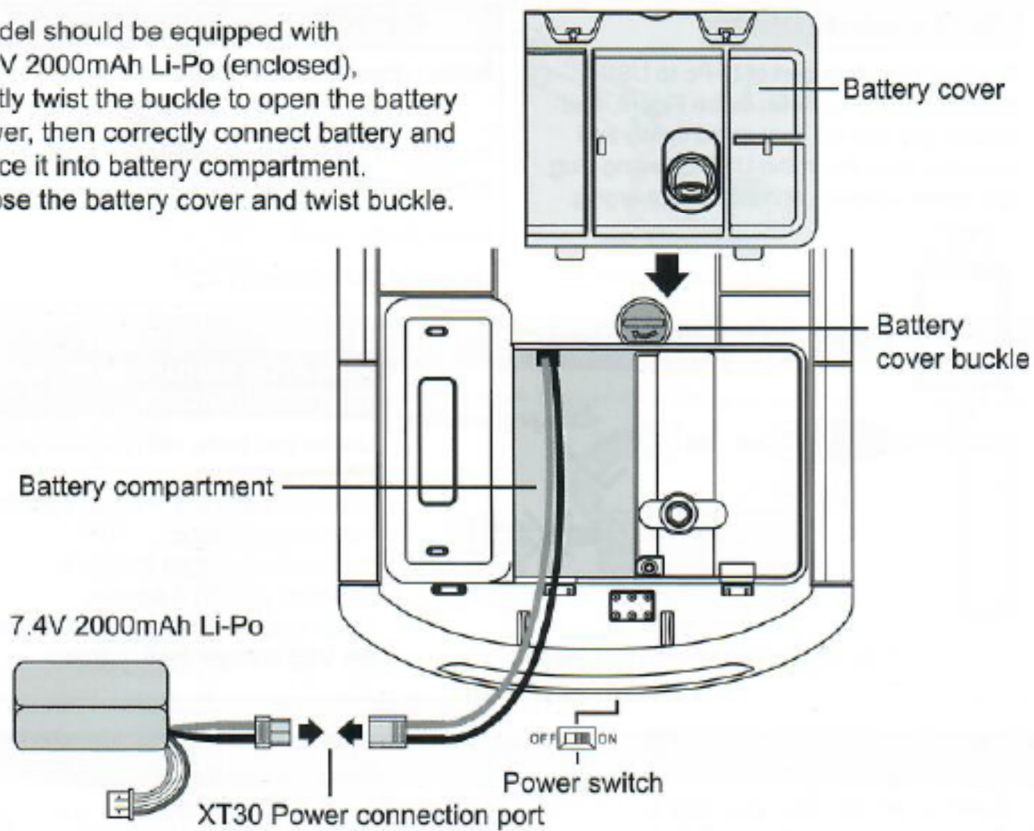
The packages and instructions contain important information, please keep them well. In case the product figure differs from real object, the real object will prevail.

FUNCTION INTRODUCTION OF REMOTE CONTROL



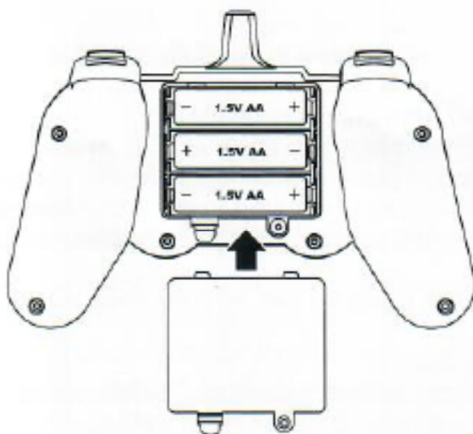
INSTALLATION OF REMOTE-CONTROL MODEL BATTERY

Model should be equipped with 7.4V 2000mAh Li-Po (enclosed), firstly twist the buckle to open the battery cover, then correctly connect battery and place it into battery compartment. Close the battery cover and twist buckle.



Installation of Remote Control Battery

The remote control is equipped with 3X1.5V "AA" non-rechargeable batteries (purchased additionally), open the battery cover, and place the batteries into battery compartment at the bottom of remote control by correct polarity. Cover the battery cover and tighten the screws.



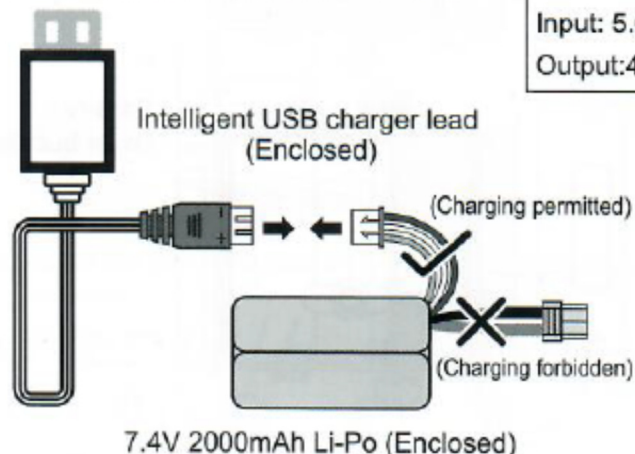
Battery Installation Instructions:

1. Take out and install battery correctly.
2. The non-rechargeable battery can't be charged.
3. The rechargeable battery can only be charged under custody of adults;
4. Different batteries or new and old batteries can't be used together;
5. Battery of same model or recommended model can be used;
6. The rechargeable battery should be taken out from model before charging.
7. Battery should be placed with correct polarity;
8. The exhausted battery should be taken out from model;
9. Short-circuit of battery terminal is forbidden;

BATTERY CHARGING INSTRUCTIONS

CHARGING METHODS

Connect the white port of Li-Po to USB charging port, as shown in the Figure, and ensure port can be connected tightly and correctly, then insert the USB charging plug into power adapter, and perform charging.



BATTERY/USB PARAMETERS

Battery specifications: 18650
7.4V 2000mAh Li-Po

Intelligent USB balance charger with overcharge protection

Input: 5.0V 1-2A

Output: 4.2V 800mAh X2

INDICATOR LIGHT STATUS AT THE TIME OF CHARGING:

Uncharged state: red light always lit

Charged state:

Red light always lit + Green light flashes

Full charging state:

Red and green light always lit

Charging period: 3-4 hours

When battery is charged, please pull off the USB charger lead in time.

Precautions Of Li-Po

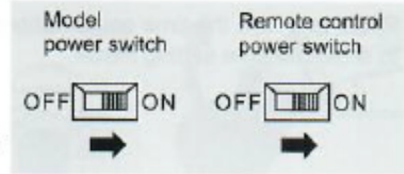
1. Battery can be charged only by originally configured USB charger lead;
2. Be sure to charge with white big-socket port while not the black socket;
3. 7.4V Li-Po must be equipped with 5V USB charging plug;
4. The Li-Po with damaged appearance can't be charged, to avoid fire hazards resulted from spontaneous combustion.
5. Li-Po must be charged in sheet iron box;
6. Battery should be charged within specified charging period.

Safe Usage Instructions for Li-Po

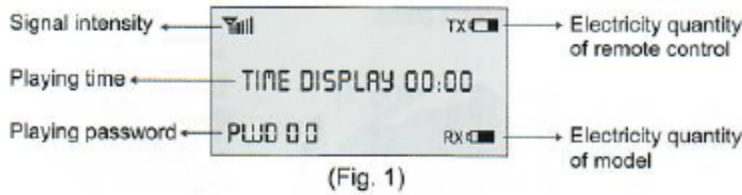
- Li-Po is of higher danger compared with other batteries. Be sure to carefully read the instructions and follow precautions and charging methods before usage.
- This company won't bear any responsibility resulted from improper usage.
- It is strictly forbidden to charge Li-Po with non-original charger, to avoid explosion and fire hazards. Impact, dismantling, inverse connection of positive and negative polarities and incinerating battery are strictly forbidden, to avoid short circuit resulted from metal objects' impacting positive and negative polarities of battery. And please prevent sharp objects from penetrating battery, to avoid catching fire of battery.
- Be prudent and careful to perform charging, to ensure charging can be performed within your visibility range.
- Charger should be out of reach of children to avoid danger.
- The degraded battery shouldn't be charged, otherwise, battery expansion, deformation, explosion even fire hazard will occur, endangering safety and lives and properties.
- The discarded batteries should be recovered by strictly following national or regional waste disposal decrees, so as not to pollute environment.

REMOTE CONTROL FREQUENCY PAIRING AND POWER ON

1. This product is equipped with remote control of 2.4GHz. When a user operate it for the first time, please install batteries into model and remote control, then turn the power on, the model is turned on and frequency is automatically paired, and frequency pairing sound is given, "beeps" indicates the frequency has been paired.



2. The startup picture displays on the display screen (Fig. 1), password "00" flashes (Fig. 2), you can directly enter the playing mode.

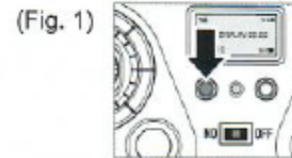


This product has two kinds of playing modes:

1. Startup playing mode
2. Password playing mode

PASSWORD SETTING OF REMOTE CONTROL

1. Press and hold password confirmation key for 3 seconds (Fig. 1), to enter the password setting mode.



2. "0" flashes at unit's place (Fig. 2). When right rocker is up, password is switched from 0 to 9, when right rocker is down, password is switched from 9 to 0 (Fig. 3). After selecting the digit, directly push right rocker to the left (Fig. 4) to set a ten-digit password, if pushing the rocker to the right, return to password of unit's place to set it again.



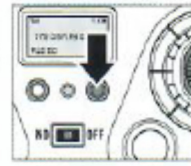
3. When directly pushing right rocker to the left, "0" flashes at ten's place (Fig. 5), When right rocker is up, password is switched from 0 to 9, when right rocker is down, password is switched from 9 to 0 (Fig. 6). Press the password confirmation key (Fig. 1) to finish password setting. At this time, display screen displays the figure, "***" (Fig. 7) doesn't flash.



PLAYING TIME SETTING

1. Press and hold the time confirmation key for three seconds (Fig. 1), to enter the time setting mode,

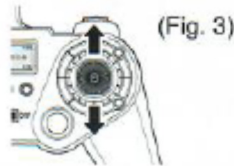
(Fig. 1)



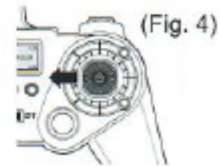
2. Minutes flash at unit's place (Fig. 2), when right rocker is up, time is switched from 0 to 9, when right rocker is down, time is switched from 9 to 0 (Fig. 3). 2 seconds after selecting digit, directly push right rocker to the left (Fig. 4) to set minutes at ten's place.



(Fig. 2)



(Fig. 3)



(Fig. 4)

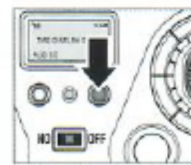
3. Minute "0" flashes at ten's place (Fig. 5), time is switched from 0 to 9, when right rocker is down, time is switched from 9 to 0 (Fig. 6). After selecting digit, pressing the time confirmation key (Fig. 7) to finish time setting.



(Fig. 5)



(Fig. 6)



(Fig. 7)

After setting the time, display screen displays the time limit, you can play freely. When time limit is 10 seconds, receiver will constantly give "beeps" alarm till work stop. Only after password and time are entered into remote control again, can the model be played.

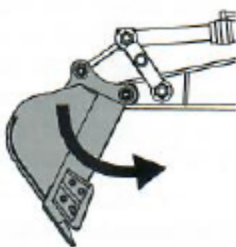
PASSWORD RESETTING

Press and hold the password confirmation key + time confirmation key for 3 seconds, original password can be deleted. And back to the original boot mode.

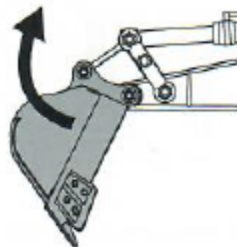


DIGGING ARM AND PLATFORM CONTROL

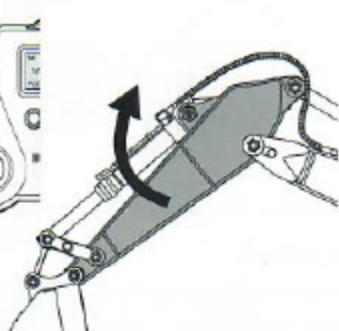
Bucket descending



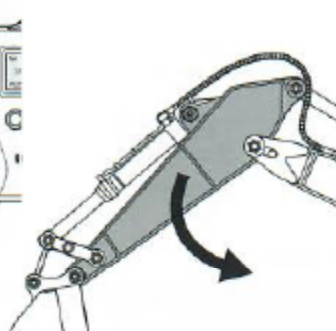
Bucket ascending



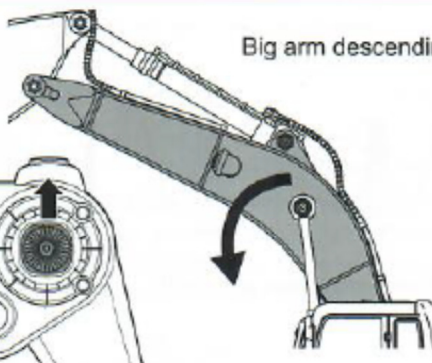
Median arm ascending



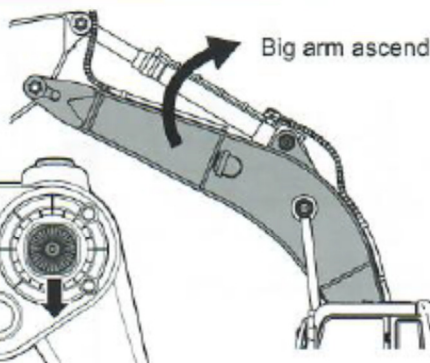
Median arm descending



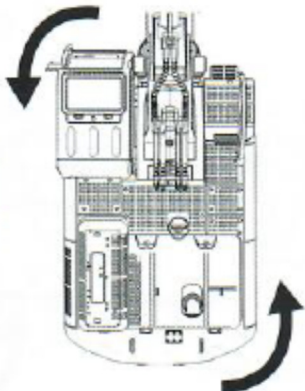
Big arm descending



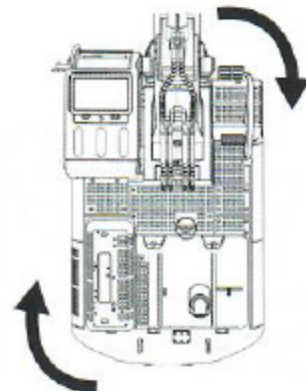
Big arm ascending



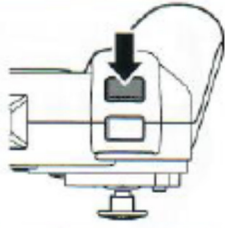
Left rotation of platform



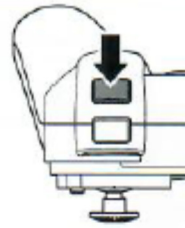
Right rotation of platform



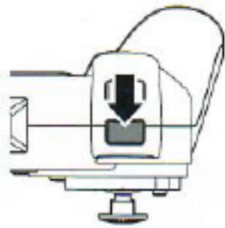
MODEL DRIVING CONTROL



Left turn (press and hold the left forward rotation)



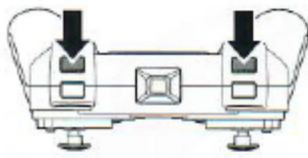
Right turn (press and hold the right forward rotation)



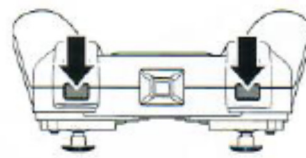
Left back (press and hold left back rotation)



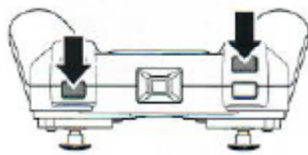
Right back (press and hold right back rotation)



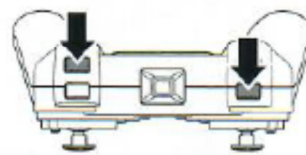
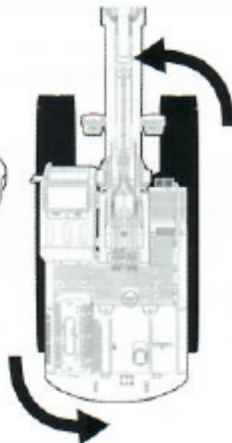
Forward (press and hold)



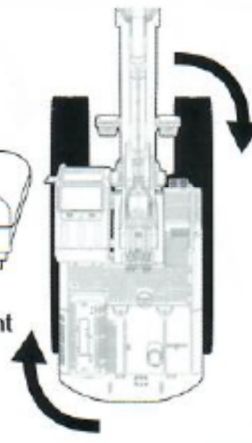
Backward (press and hold)



Infinite rotation to the left (press and hold at the same time)

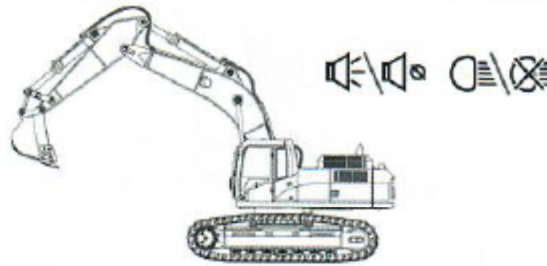
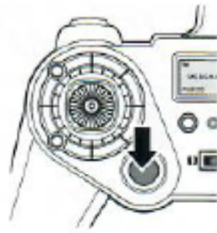


Infinite rotation to the right (press and hold at the same time)



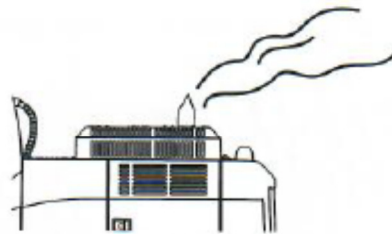
LIGHT AND SOUND CONTROL

The started model can generate light and sound, press sound switch to turn off sound and light, press it again to turn on them.



ABOUT SMOKES

During playing the started model, press smoke switch to start the smoke function, and press it again to stop such function.



ABOUT SUPPLEMENTING SMOKE OIL

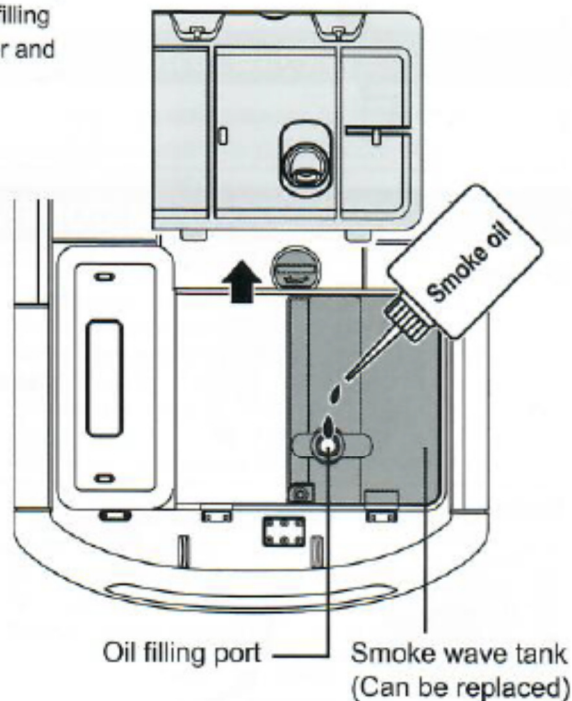
Firstly twist buckle to open the battery cover, then drip the "smoke oil" (purchased additionally) into oil filling port of smoke wave tank, close the battery cover and twist buckle.

Note:

About 4-5 drips, too much will make smoke not to be emitted out.

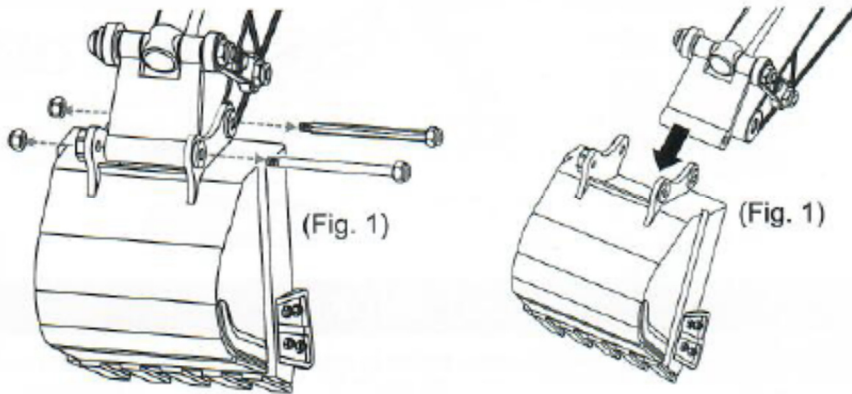
⚠ WARNING

"Smoke oil" is inedible!
In case of careless entry into eyes, rinse eyes with clean water and see a doctor in time!

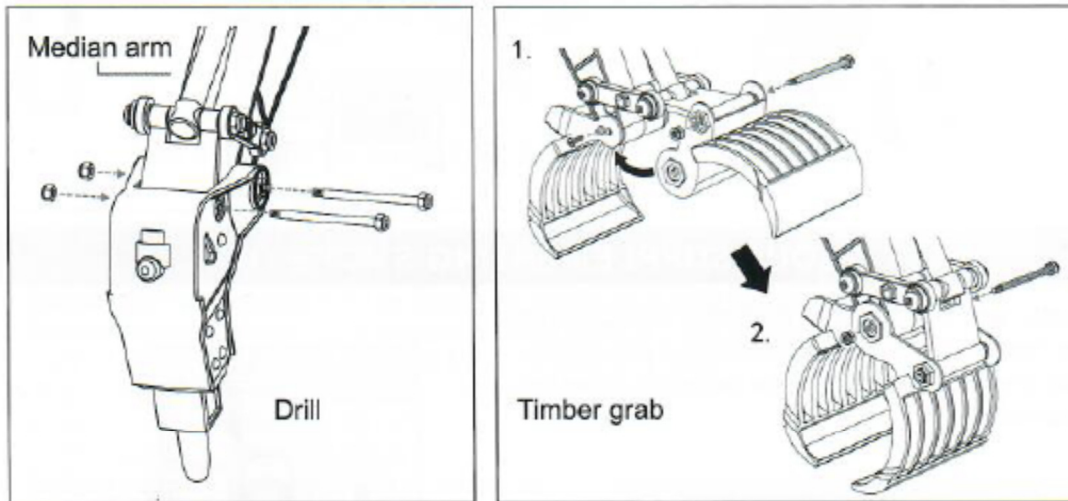


PARTS REPLACEMENT

1. Unscrew the bucket anchor screws (Fig. 1) and dismantle the bucket (Fig. 2).

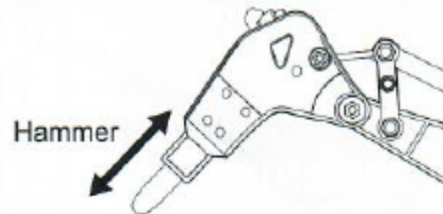
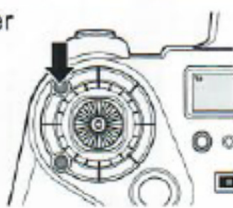


2. Install the part onto median arm, insert the screws and tighten the part with nuts.

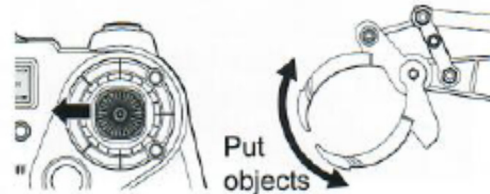
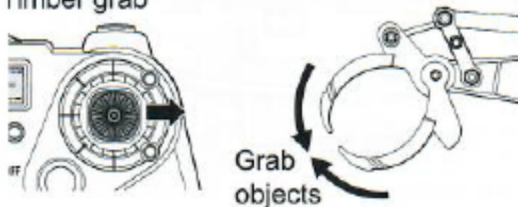


OPERATION AND CONTROL OF SPARE PARTS

Dismantler



Timber grab



WARNING

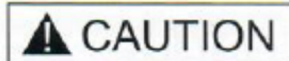
- This product is composed of small parts, don't let children of 14 years or below play it.
- The remote control is equipped with 3X1.5V "AA" non-rechargeable battery, and the remote control car is equipped with 7.4V 2000mAh Li-Po.
- The motor can generate heat; don't touch it, to avoid scald.
- The wire, plug, shell and other parts of battery charger should be periodically checked, in case of any damage, don't use it till repaired well.
- The model can only be equipped with recommended charger, the charger is not a model.
- Laser has radiation; don't look straight at the light beam.
- To meet the electromagnetic environment of aviation radio station, model remote controls are forbidden in such area with airport runway center being circle center and 5000m as radius.
- During issuing radio control orders by national relevant departments, model remote controls are forbidden using in the area.

DON'T IMPROPERLY USE THIS PRODUCT

Don't willfully dismantle, modify or process it. For any modification and maintenance, please use the parts list in product content to ensure structure safety. Please operate products within specified limit, overload is forbidden, and illegal purposes in violation of safety order are forbidden too.

IMPORTANT NOTICES

Note! The products are manufactured by batches after performances have been strictly demonstrated and practically tested to verify meeting safety standards, but personnel below 14 are forbidden to use it. For any use of remote-controlled model, the manufacturer or dealer won't bear any responsibility for accidents resulted from abnormal parts usage and wearing, improper assembling or operation under unsafe environment. Please be sure to operate this product under safe environment. This company won't bear property loss and personal injury resulted from improper operation/dismantling/modification on sold product.



This product is not a toy, This is not intended for use by year 14 children,
For your safety, please read the manual carefully and thoroughly before
operating this product.

NO.1580

The Company has the right of final interpretation of
this instruction manual statement.

MADE IN CHINA

HUI NA