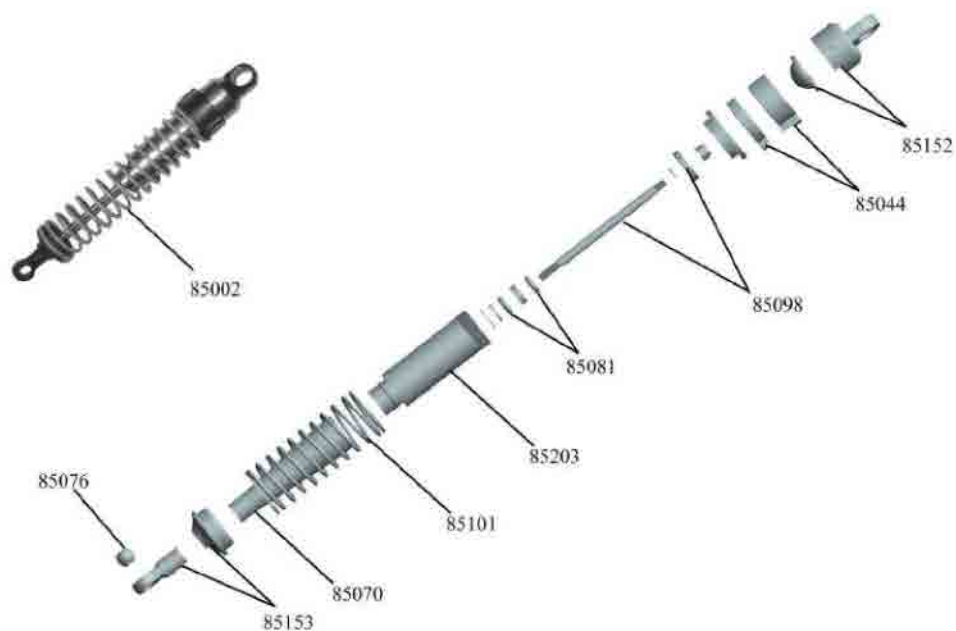
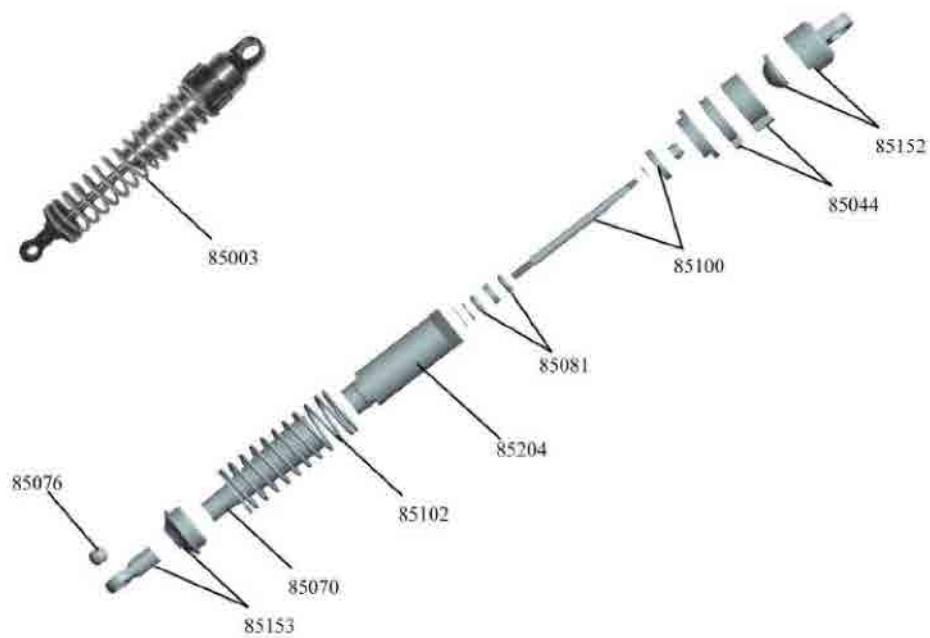


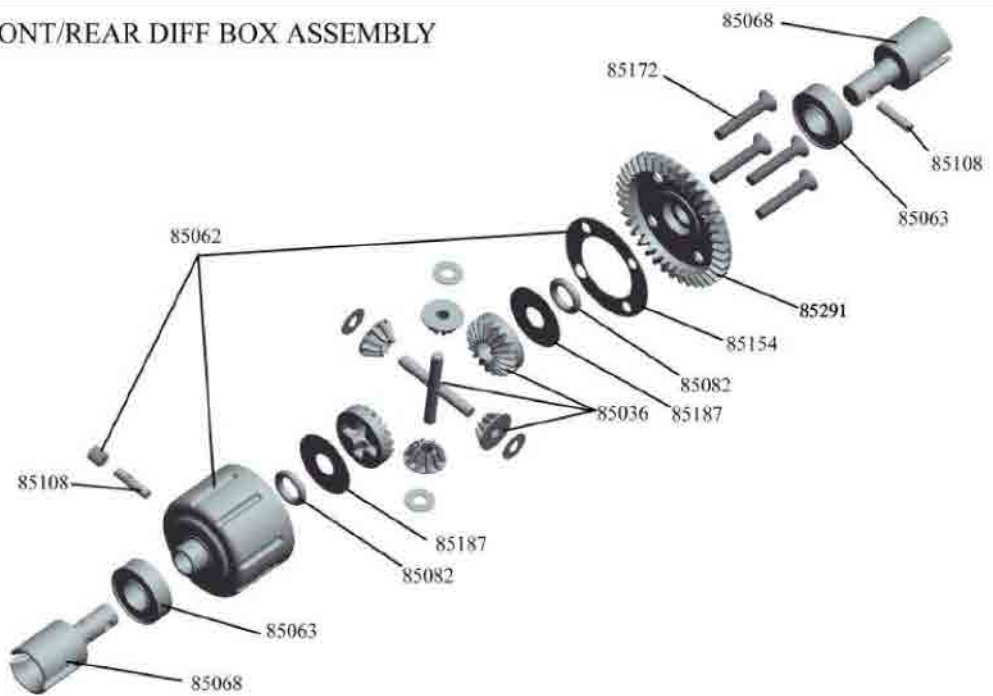
FRONT SHOCKS ASSEMBLY



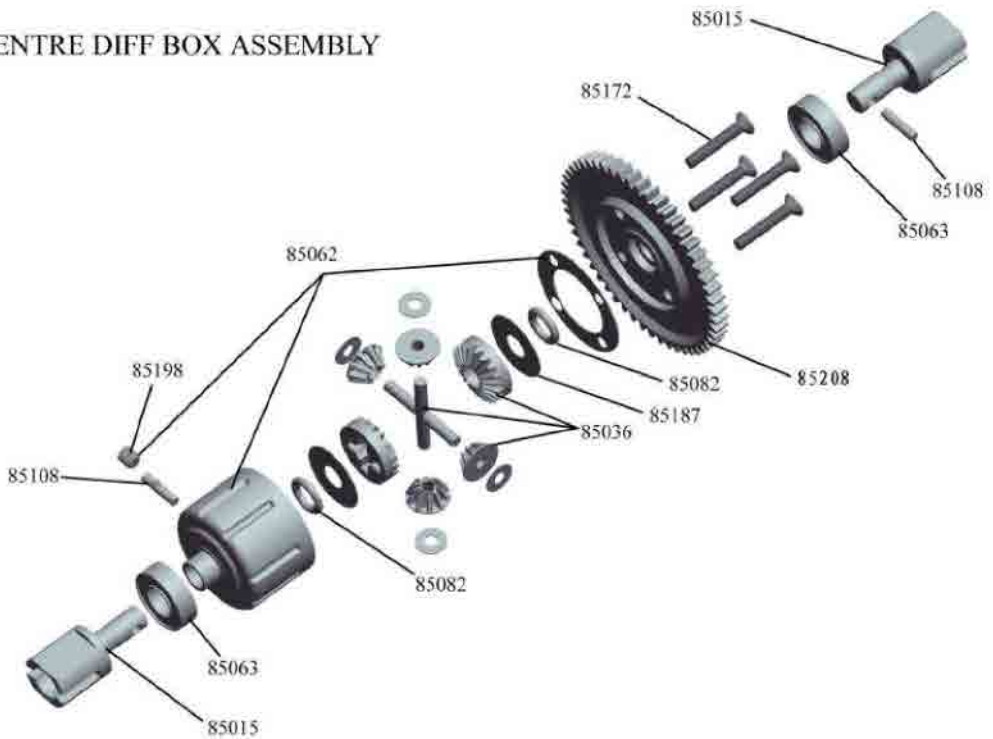
REAR SHOCKS ASSEMBLY



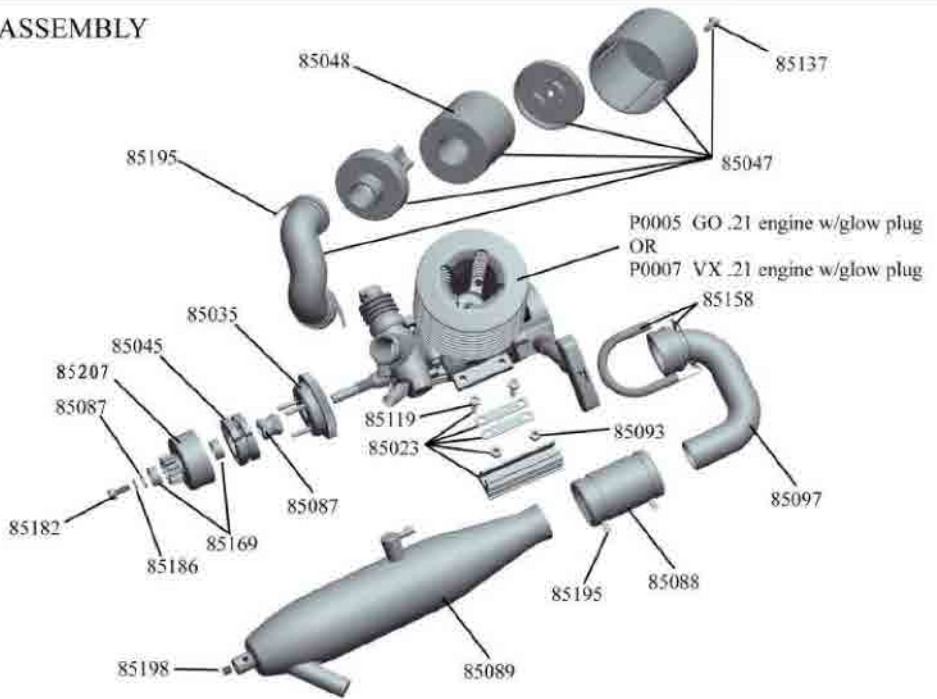
FRONT/REAR DIFF BOX ASSEMBLY



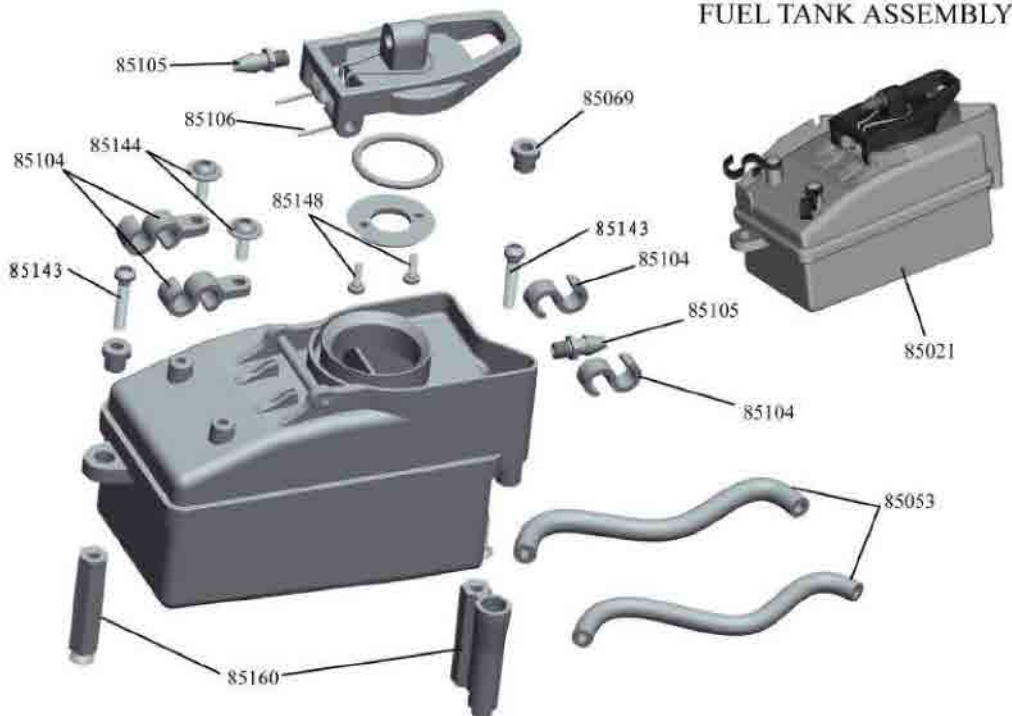
CENTRE DIFF BOX ASSEMBLY



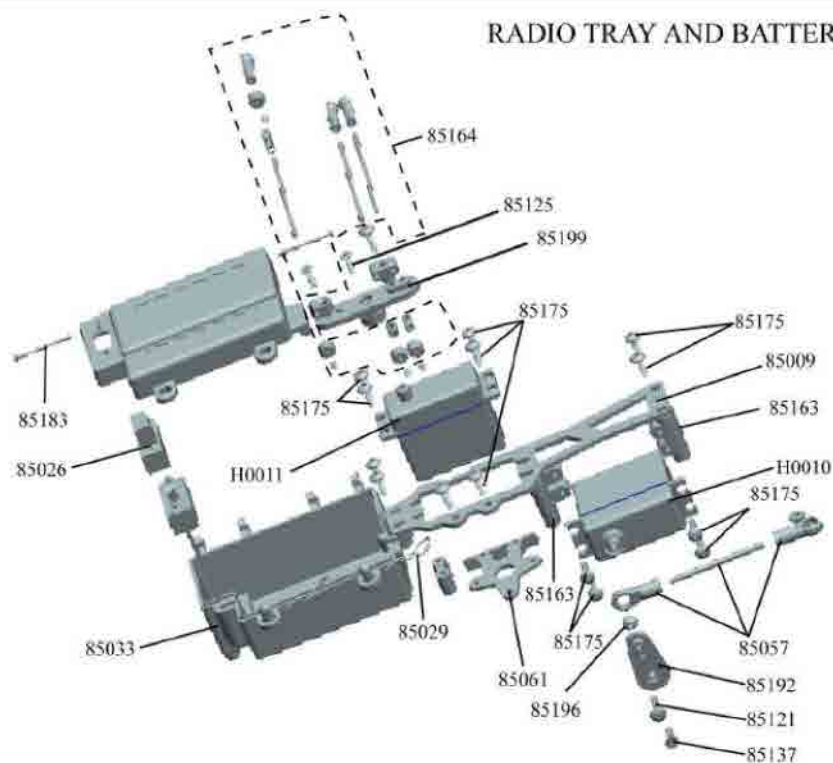
ENGINE ASSEMBLY



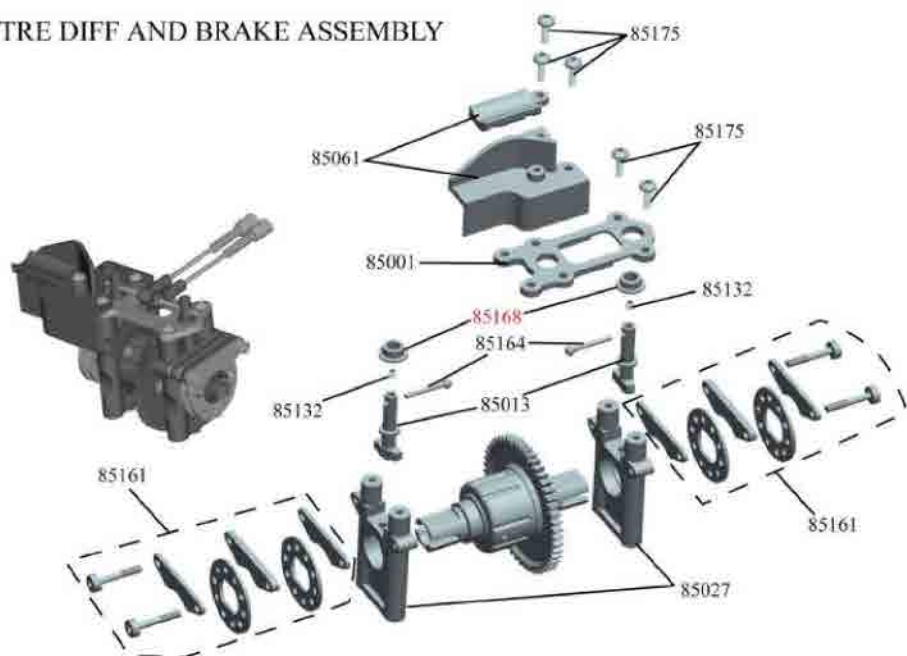
FUEL TANK ASSEMBLY



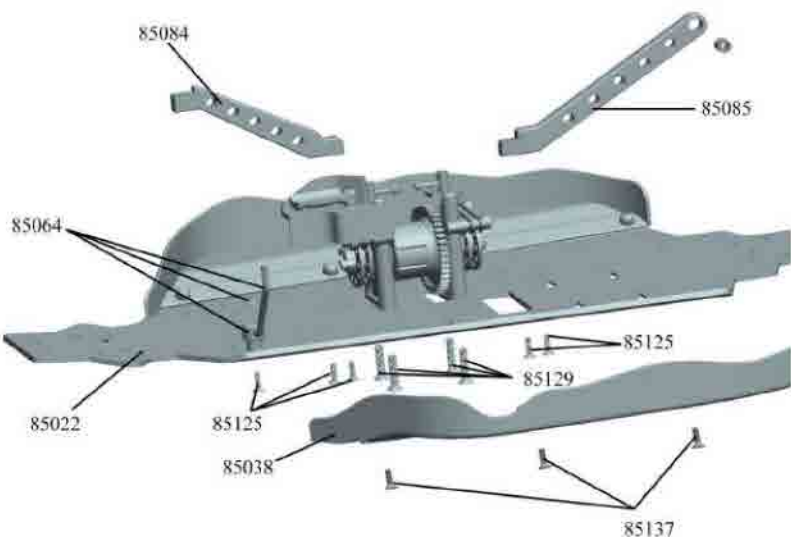
RADIO TRAY AND BATTERY BOX



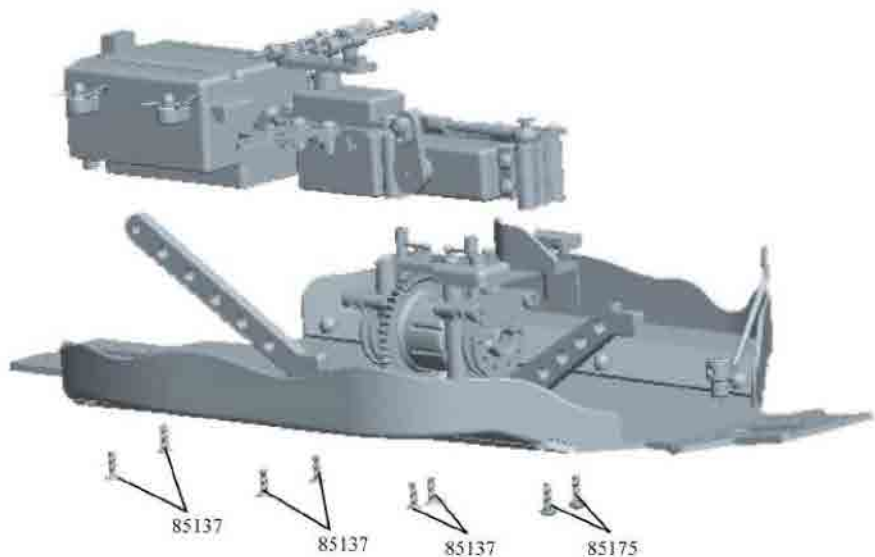
CENTRE DIFF AND BRAKE ASSEMBLY



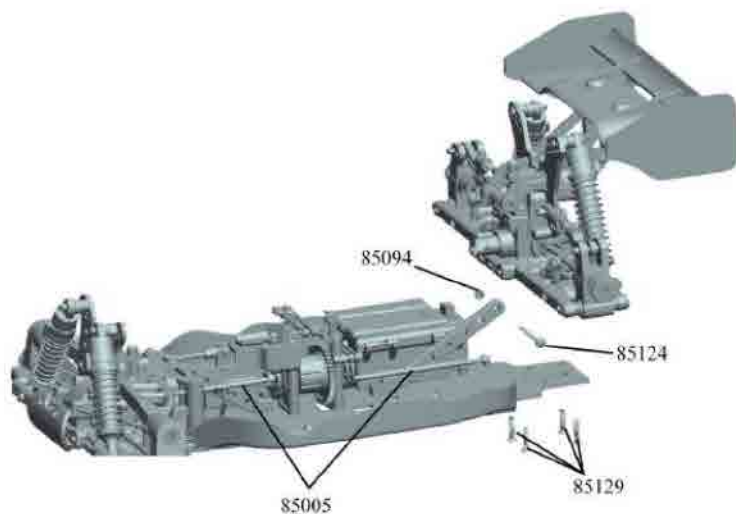
1. Install the Side Guards, Centre Diff Assembly and Front/Rear Braces to the chassis. And attach the exhaust Pipe holder.



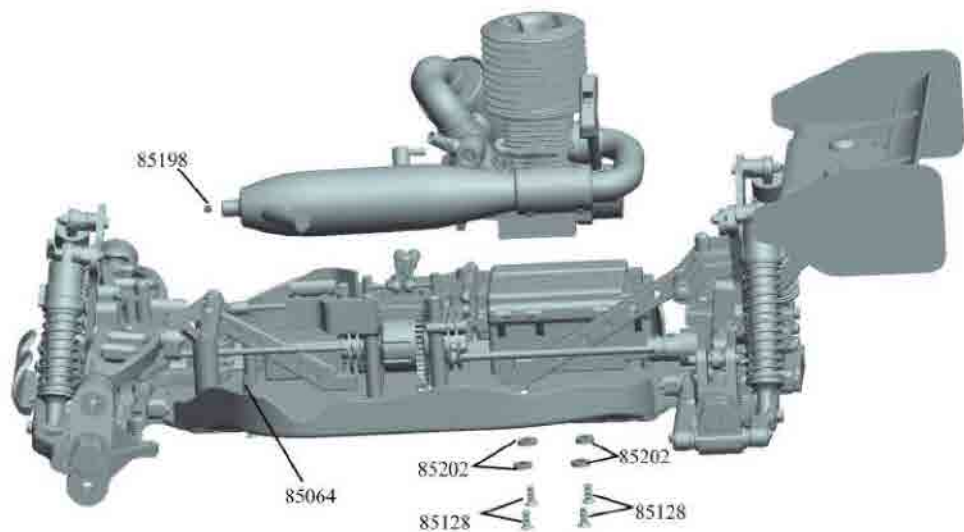
2. Install the servo and battery/receiver box assembly to the chassis with screws.



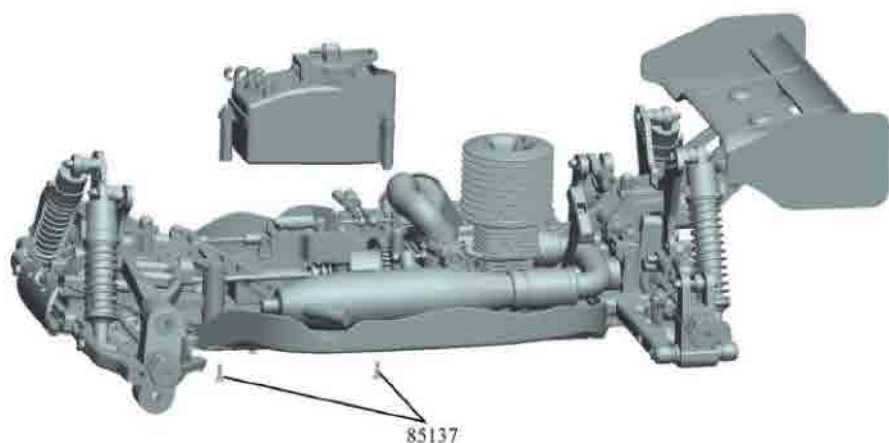
5. Install the rear suspension assembly to ensure free suspension arm movement and attach the rear center drive shaft(the long one).



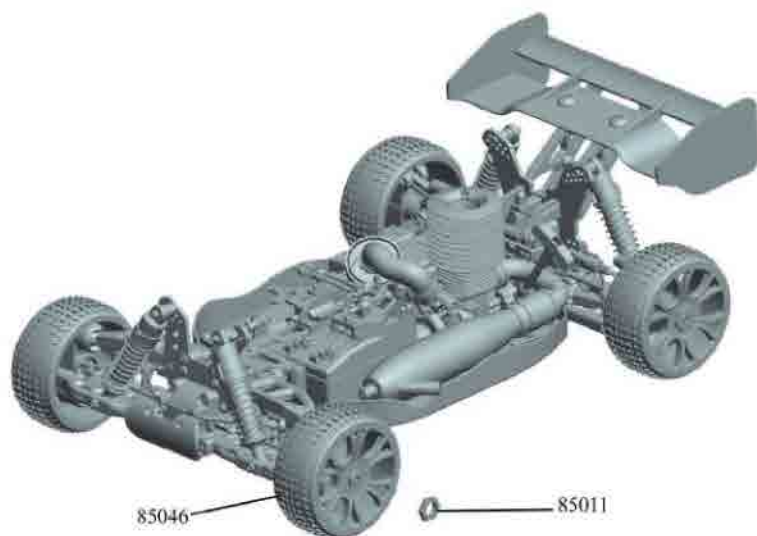
6. Install the engine assembly to the chassis with screws and screw spacers properly to make sure the clutch bell and spur gear works smoothly. And attach the exhaust pipe end to the engine exhaust pipe holder(85064) with M4 grub screw(85198).



7. Install the fuel tank to the chassis with screws, link the fuel lines from the fuel tank to the engine and exhaust pipe, and guide the fuel lines guide onto the fuel tank.



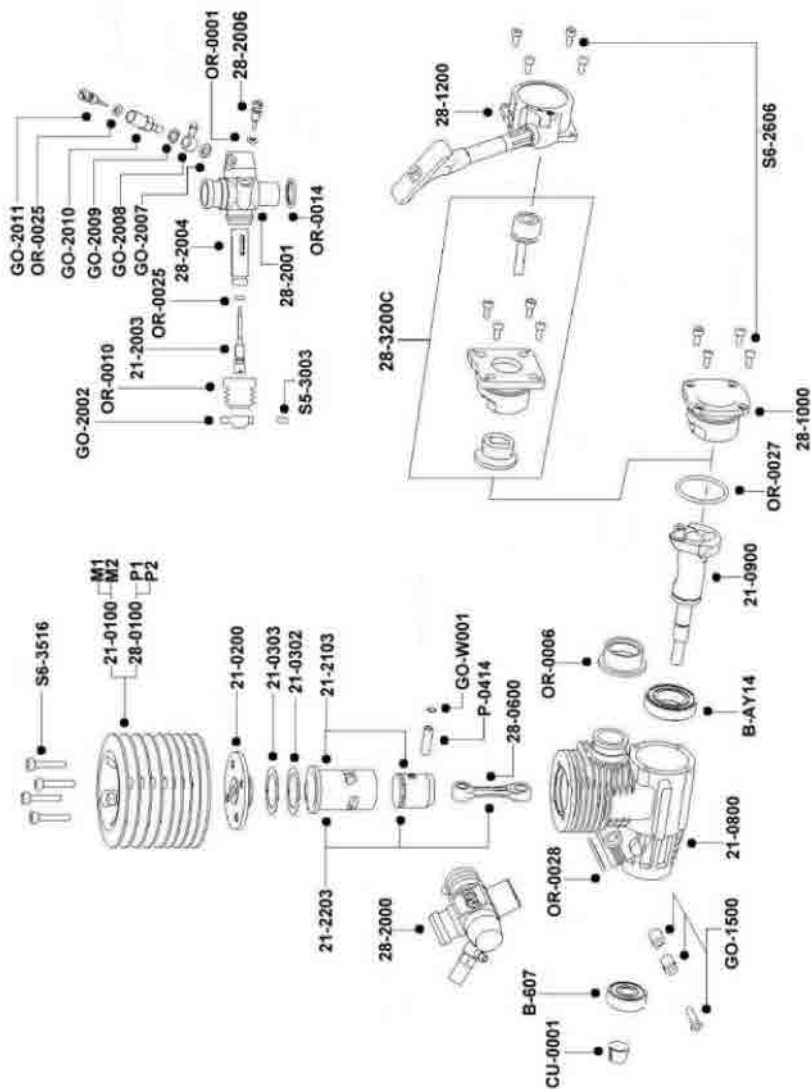
8. Install the premounted tyres set and tighten with wheel nuts. Mount the precut polycarbonate body onto the chassis body mounts and use body clips(85034) to fix the body.







GO ENGINE CO.,LTD.

21R EXPLODED VIEW&PARTS LIST



ITEM NO	DESCRIPTION
21-0100-M1	Cylinder Head MOLD Blue
21-0100-M2	Cylinder Head MOLD Black
21-0200	Burn Room For 21
21-0303	Burn Room Washer (φ.3mm)
21-0302	Burn Room Washer (0.2mm)
21-0800	Crankcase For 21
21-0900	Crankshaft 1.4mm B. 4 (SG)
21-2003	Throttle Needle(Slide)
21-2103	21 Cylinder Sleeve Piston 3p
21-2203	21 Cylinder Completely Set 3p
28-0100-P1	Cylinder Head CNC Blue
28-0100-P2	Cylinder Head CNC Black
28-0600	Connecting Rod For 21, 25, 28
28-1000	Rear Cover For 21, 25, 28
28-1200	Pull Start Completely Set
28-2000	Carburetor Completely Set (Slide)
28-2001	Carburetor Main Body (Slide)
28-2004	Throttle (Slide)
28-2005	Throttle Stop Adjustment Screw
28-3100	"I" Start Axis Set 21, 25, 28
GO-1500	Carburetor Setting Pin
GO-2002	Throttle Screw Cap
GO-2007	Fuel Supply Washer 7.5x4
GO-2008	Fuel Supply Nipple
GO-2009	Fuel Supply Washer Aluminum 7.5x5
GO-2010	Main Needle Seat
GO-2011	Main Needle
GO-W001	"G" Ping Snap Ring 2pcs/set
OR-0001	"O" Ring 2x1.8
OR-0006	Rubber Adaptor For Manifolds
OR-0010	Throttle Boot For 21, 25, 28
OR-0014	"O" Ring 10x1.3
OR-0025	"O" Ring 2.9x1.78
OR-0027	"O" Ring AS-018
OR-0028	"O" Ring 15.2x1.5
CU-0001	Brass Cone
S5-3003	Screw M3x3
S6-2606	Screw M2.6x6 4pcs
S6-3516	Screw M3.5x1.6 4pcs
B-AY14	Rear Bearing 14mm
B-607	Front Bearing 7mm
P-0414	Piston Guide on Pin 4x13.85









VRX-2 Nitro Buggy Parts

<p>85005-Center Drive Shaft F/R 2P</p> 	<p>85013-Brake Cam 2P</p> 	<p>85021-Fuel Tank 125cc</p> 	<p>85022-Chassis Plate</p> 
<p>85023-Engine Mount Set</p> 	<p>85009-Radio Tray</p> 	<p>85024-Clutch Bell 14T 1p 85207-Clutch Bell 14T 1p Powder Metallurgy</p> 	<p>85026-Switch Switch Cover 2P</p> 
<p>85033-Battery/Receiver Box</p> 	<p>85035-Flywheel</p> 	<p>85038-Side Guard Set</p> 	<p>85045-Clutch Shoes & Springs</p> 
<p>85047-Airfilter Assembly</p> 	<p>85048-Air Filter Sponge 2P</p> 	<p>85053-Fuel Line</p> 	<p>85061-Fuel Filter, Transponder Mount, Fuel Line Mount Set</p> 
<p>85064-Exhaust Pipe Set</p> 	<p>85087-Clutch nut w/shim 2P</p> 	<p>85088-Silicone Exhaust Coupler</p> 	<p>85089-Tuned Exhaust Pipe</p> 
<p>85097-Manifold</p> 	<p>85104-Fuel line guide set</p> 	<p>85105-Pressure fitting set 2P</p> 	<p>85106- Fuel tank spring</p> 

VRX-2 Nitro Buggy Parts

<p>85158-Manifold Spring and Fix Plate</p> 	<p>85160-Fuel Tank Post Set</p> 	<p>85161-Disc Brake Sets</p> 	<p>85164-Servo Linkage Set</p> 
<p>85168-Steering Plate Bushing 4P</p> 	<p>85182-Cap Head Hex. Mechanical Screws 3*10 6P</p> 	<p>85183-Ball head self Tapping screw set 2*24mm 6P</p> 	<p>85186-Washer 6*3.1*0.5 6P</p> 
<p>85190-Washer 6*2.6*0.5 6P</p> 	<p>H0011-3kg/cm Throttle Servo Unit</p> 	<p>85197-Battery Case</p> 	<p>85199-Throttle Servo Horns</p> 

VRX-2 (E) Common Parts

<p>85076-Shock End/Sway Bar Ball 6pcs</p> 	<p>85077-Sway Sar Mount Ball Stud 6sets</p> 	<p>85078-Pivot Ball Set 4P</p> 	<p>85079-Pivot Ball Nut Set 4P</p> 
<p>85080-Steering Bellcrank Bushing 4P</p> 	<p>85081-Shock O-Ring Set 8P</p> 	<p>85082-Diff Case O-Ring Set 6P</p> 	<p>85084-Front Chassis Brace</p> 
<p>85085-Rear Chassis Brace</p> 	<p>85090-Servo Saver Assembly</p> 	<p>85091-Antenna Tube 4P</p> 	<p>85093-3mm Locknut set 6P</p> 
<p>85094-4mm Locknut set 8P</p> 	<p>85096-Ball End Set</p> 	<p>85098-Front Shock Shaft and Piston Set 2P</p> 	<p>85099-Steering Plate Bushing 2P</p> 
<p>85100-Rear Shock Shaft and Piston Set 2P</p> 	<p>85101-Front Shock Spring Set 2P</p> 	<p>85102-Rear Shock Spring Set 2P</p> 	<p>85103-Wheelhub Pin Set 2P</p> 
<p>85107-Upper Wing Mount Set</p> 	<p>85108-Diff bevel gear pin 3P</p> 	<p>85118-Cap head screw set 3*14mm 8P</p> 	<p>85119-Cap head sere set 3*16mm 6P</p> 

VRX-2 (E) Common Parts

<p>85121-Button Head Scw sdt 3*12mm (10)</p> 	<p>85124-Button head screw set 4*40mm 4P</p> 	<p>85125-Flat head screw set 3*10mm 5P</p> 	<p>85128-Flat head screw set 4*10mm 4P</p> 
<p>85129-Flat Head Self Tapping Screw Set 4*18mm 12P</p> 	<p>85132-Set screws 3*3mm 12P</p> 	<p>85133-Set screws 4*10mm 4P</p> 	<p>85134-Set screws 5*4mm 6P</p> 
<p>85137-Flat Head Self Tapping Screw Set 3*10mm 12P</p> 	<p>85140-Flat Head Screw Set 4*26mm 4P</p> 	<p>85143-Button Head Self Tapping screw set 3*12mm 4P</p> 	<p>85144-Ring Self Tapping Screw Set 3*8mm 4P</p> 
<p>85152-Front/rear Shock Cap with Bladder Set</p> 	<p>85153-Shock Ball End, Ball, Cup set</p> 	<p>85154-Diff. Gasket sets 3P</p> 	<p>85155-Wheel Nut Set 2P</p> 
<p>85156-Buggy body mount 2P</p> 	<p>85157-Chassis Brace Mount</p> 	<p>85159-Gearbox Housing Set</p> 	<p>85162-Suspension Holders</p> 
<p>85163-Radio Tray Post</p> 	<p>85165-Front Upper Outside Pins 2pcs+ Front/rear Lower Outside Pins 2sets</p> 	<p>85166-Spacers for Rear Lower Outside Pins 8P</p> 	<p>85167-Spacers for Front Upper/lower Outside Pins 8P</p> 




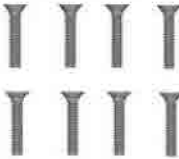





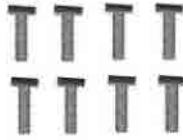



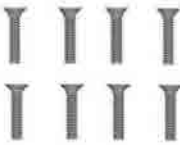


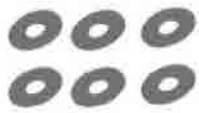




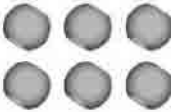


VRX-2 (E) Common Parts

<p>85121-Button Head Scw sdt 3*12mm (10)</p> 	<p>85124-Button head screw set 4*40mm 4P</p> 	<p>85125-Flat head screw set 3*10mm 5P</p> 	<p>85128-Flat head screw set 4*10mm 4P</p> 
<p>85129-Flat Head Self Tapping Screw Set 4*18mm 12P</p> 	<p>85132-Set screws 3*3mm 12P</p> 	<p>85133-Set screws 4*10mm 4P</p> 	<p>85134-Set screws 5*4mm 6P</p> 
<p>85137-Flat Head Self Tapping Screw Set 3*10mm 12P</p> 	<p>85140-Flat Head Screw Set 4*26mm 4P</p> 	<p>85143-Button Head Self Tapping screw set 3*12mm 4P</p> 	<p>85144-Ring Self Tapping Screw Set 3*8mm 4P</p> 
<p>85152-Front/rear Shock Cap with Bladder Set</p> 	<p>85153-Shock Ball End, Ball, Cup set</p> 	<p>85154-Diff. Gasket sets 3P</p> 	<p>85155-Wheel Nut Set 2P</p> 
<p>85156-Buggy body mount 2P</p> 	<p>85157-Chassis Brace Mount</p> 	<p>85159-Gearbox Housing Set</p> 	<p>85162-Suspension Holders</p> 
<p>85163-Radio Tray Post</p> 	<p>85165-Front Upper Outside Pins 2pcs+ Front/rear Lower Outside Pins 2sets</p> 	<p>85166-Spacers for Rear Lower Outside Pins 8P</p> 	<p>85167-Spacers for Front Upper/lower Outside Pins 8P</p> 

VRX-2 (E) Common Parts

<p>85037- Buggy Tail Wing</p> 	<p>85039-Rear Hub Carrier Set 2P</p> 	<p>85040-Front Bumper</p> 	<p>85041-Rear Lower Suspension Arms. 2P</p> 
<p>85042-Front Upper Suspension Arms 2P</p> 	<p>85043-Rear Upper arm set</p> 	<p>85044-Shock Tension Shims</p>  <p style="text-align: center;">Thick: 4mm*4pcs Thin: 8mm*4pcs</p>	<p>85046-Pre-Mounted Tires 2pcs</p> 
<p>85049-Front Sway Bar</p> 	<p>85050-Rear Sway Bar</p> 	<p>85057-Steering Servo Linkage</p> 	<p>85058-Wing mounts 2P</p> 
<p>85059-Wing Mounts Posts</p> 	<p>85062-Differential Case +Set Screw</p> 	<p>85063-Bearings. 16*8*5 8P</p> 	<p>85065-Servo Saver Shaft 2P</p> 
<p>85066-Bellcrank Set</p> 	<p>85067-Steering Link Set 2P</p> 	<p>85068-F/R Diff. Outdrive 2P</p> 	<p>85069-Fuel Tank Mount Grommets</p> 
<p>85070-Shock Boot 2P</p> 	<p>85071-Shock Mount Studs 4P</p> 	<p>85073-Rear Upper Arm Outer Ball 6pcs</p> 	<p>85074-Steering Linkage Ball Studs 6pcs</p> 

VRX-2 (E) Common Parts

<p>85169-ball bearings 8pcs 16*8*5 6pcs 10*5*4 2pcs</p> 	<p>85170-E-clips 2.0 10P</p> 	<p>85171-E-Clip 3.0 10P</p> 	<p>85172-Flat Head Hex. Tapping Screws 3*16 8P</p> 
<p>85173-Flat Head Hex. Tapping Screws 4*11 8P</p> 	<p>85174-Flat Head Hex. Tapping Screws 4*55 4P</p> 	<p>85175-Button Head Hex. Tapping Screws 3*10 8P</p> 	<p>85176-Button Head Hex. Tapping Screws 4*14 8P</p> 
<p>85177-Cap Head Hex. Mechanical Screws 4*10 8P</p> 	<p>85178-Button Head Self Mechanical screw set 4*10mm 8P</p> 	<p>85179-Button Head Hex. Tapping Screws 3*15 8P</p> 	<p>85180-Cap Head Hex. Mechanical Screws 3*18 6P</p> 
<p>85181-Cap Head Hex. Mechanical Screws 3*18 6P</p> 	<p>85184-Cap Head Hex. Mechanical Screws 3*12 6P</p> 	<p>85185-Cap Head Hex. Mechanical Screws 3*25 6P</p> 	<p>85187-Washer 17*6.1*0.3 6P</p> 
<p>85188-Washer 7.8*3.0*0.3 6P</p> 	<p>85189-Washer 11*3.1*0.5 6P</p> 	<p>85192-Steering Servo Horns</p> 	<p>H0067-6kg/cm Throttle Servo Unit</p> 
<p>85195-Zip Ties</p> 	<p>85196-Steering Linkage Ball Studs 6pcs</p> 	<p>85198-Set screws 4*4mm 6P</p> 	<p>85200-Rear Outer Susp. Pin 2P</p> 




VRX-2 (E) Common Parts

<p>85201-Sway bar fix plate 4P</p> 	<p>85203-Front Shock body 2P</p> 	<p>85204-Rear Shock body 2P</p> 	<p>R0027-VRX-2 Printed body (Blue)</p> 
<p>R0028-VRX-2 Printed body (Black)</p> 	<p>R0029-VRX-2 Printed body (Yellow)</p> 	<p>R0031-VRX-2 Printed body (Flame Blue)</p> 	<p>R0032-VRX-2 Clear body</p> 
<p>85205-Reinforce Plate 1set</p> 	<p>85211-Reinforce Plate 1set</p> 	<p>85202-Engine screw spacer 4P</p> 	

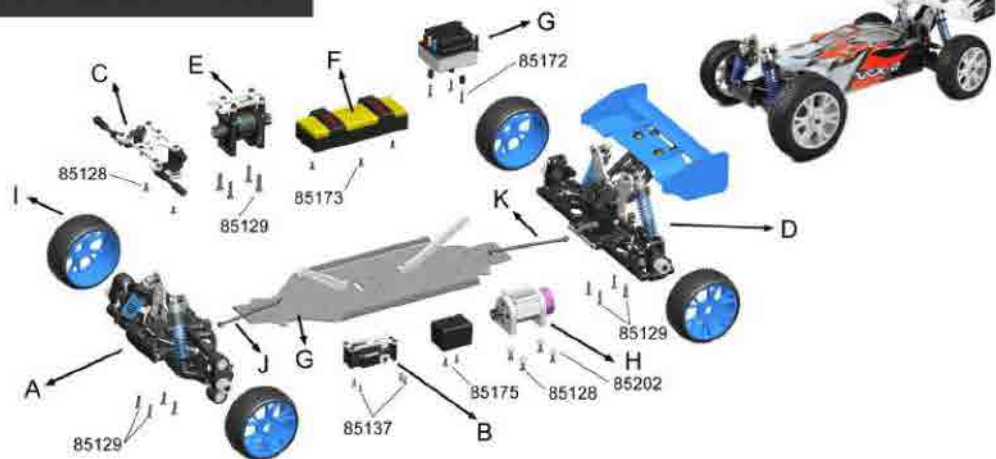
VRX-2 (E) Common Parts

<p>85901-Centre Differentials Plate(Carbon Fibre)</p>  <p style="text-align: center;">VRX-2 (E)</p>	<p>85902-Front Top Plate (Carbon Fibre)</p>  <p style="text-align: center;">VRX-2 (E)</p>	<p>85903-Radio Plate (Carbon Fibre)</p>  <p style="text-align: center;">VRX-2</p>	<p>85904-Rear Shock Plate(Al.)</p>  <p style="text-align: center;">VRX-2 (E)</p>
<p>85905-Front Shock Plate (Al.)</p>  <p style="text-align: center;">VRX-2(E)</p>	<p>85909-Front Chassis Brace (Al.)</p>  <p style="text-align: center;">VRX-2 (E)</p>	<p>85912-Rear Chassis Brace (Al.)</p>  <p style="text-align: center;">VRX-2 (E)</p>	<p>85913-Centre Diff. Mount 2P</p>  <p style="text-align: center;">VRX-2 (E)</p>
<p>85915-Rear Hub Carrier Set 2P</p>  <p style="text-align: center;">VRX-2 (E)</p>	<p>85916-Front Upper Suspension Arms 2P</p>  <p style="text-align: center;">VRX-2 (E)</p>	<p>85917-Front Lower Suspension Arms 2P</p>  <p style="text-align: center;">VRX-2 (E)</p>	<p>85918-Rear Lower Suspension Arms 2P</p>  <p style="text-align: center;">VRX-2 (E)</p>
<p>85922-Rear Universal Joint Shafts 2P</p>  <p style="text-align: center;">VRX-2 (E)</p>	<p>85923-Rear Universal Joint Shafts 2P</p>  <p style="text-align: center;">VRX-2 (E)</p>	<p>85924-Rear Universal Joint Shafts 2P</p>  <p style="text-align: center;">VRX-2 (E)</p>	<p>85925-Steering Knuckles (L/R)</p>  <p style="text-align: center;">VRX-2 (E)</p>

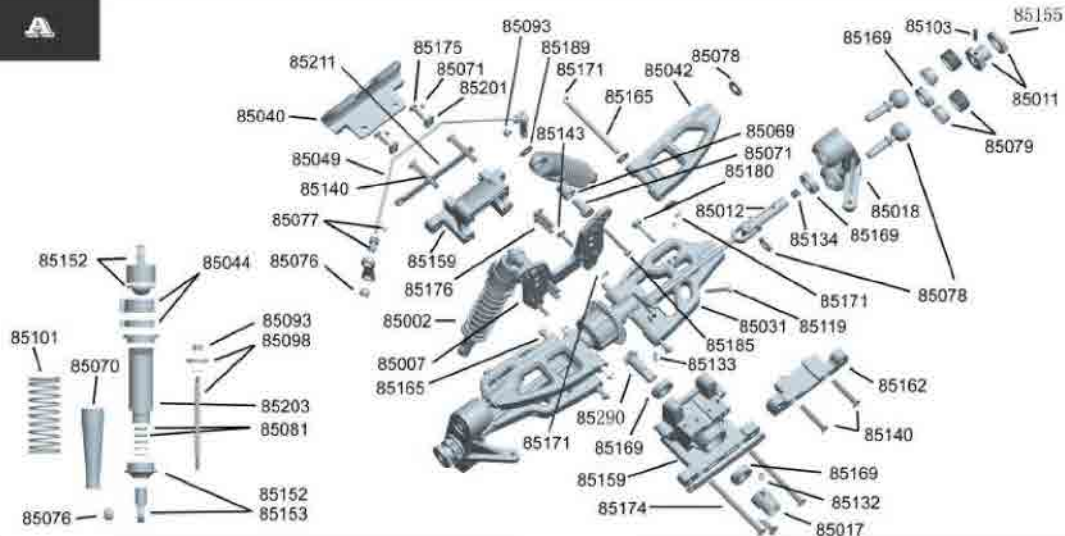
VRX-2E Buggy Parts

<p>85252-Upper plate 1P</p> 	<p>85284-Motor mounts 1P</p> 	<p>85287-Pinion Gear 13T</p> 	<p>85257-Button head screw set 3*8 6P</p> 
<p>85284-Battery tray 1P</p> 	<p>85265-Motor heatsink 1P</p> 	<p>85256-Chassis plate 1P</p> 	<p>85269-Front center drive shaft 1P</p> 
<p>85289-Front center drive shaft 1pc</p> 	<p>85285-Receiver box 1set</p> 	<p>85262-Brushless motor 1P</p> 	<p>85260-11.1V 3250mAh Lipo battery pack</p> 
<p>85286-Hoop and loop 2P</p> 	<p>85261-ZTW Brushless Speed control 80A 1pc</p> 	<p>85288-ESC Post 3P</p> 	

EXPLODED VIEW



A



B



C

